

ARB AIR LOCKER *Air Operated Locking Differentials*

HDAL Heavy Duty Air Line Kit

ITEM #	QTY	DESCRIPTION	PART #	NOTES
01	1	ADAPTOR, 3/8-24UNF TO JIC-4	170627	1
02	1	AIR LINE, REINFORCED JIC-4, 1.2M	170304	
03	1	BRACKET, AIR LINE RETAINING	220103	
04	1	ADAPTOR, 1/8NPP TO JIC-4	170628	
05	1	CLIP, AIR LINE RETAINING, P3052	150403	
06	1	AIR FITTING, STRAIGHT, R1 5 1/8"	170201	
07	2	SCREW, BUT HEAD TEK, 20mm X 8G	6151143	

Specs:

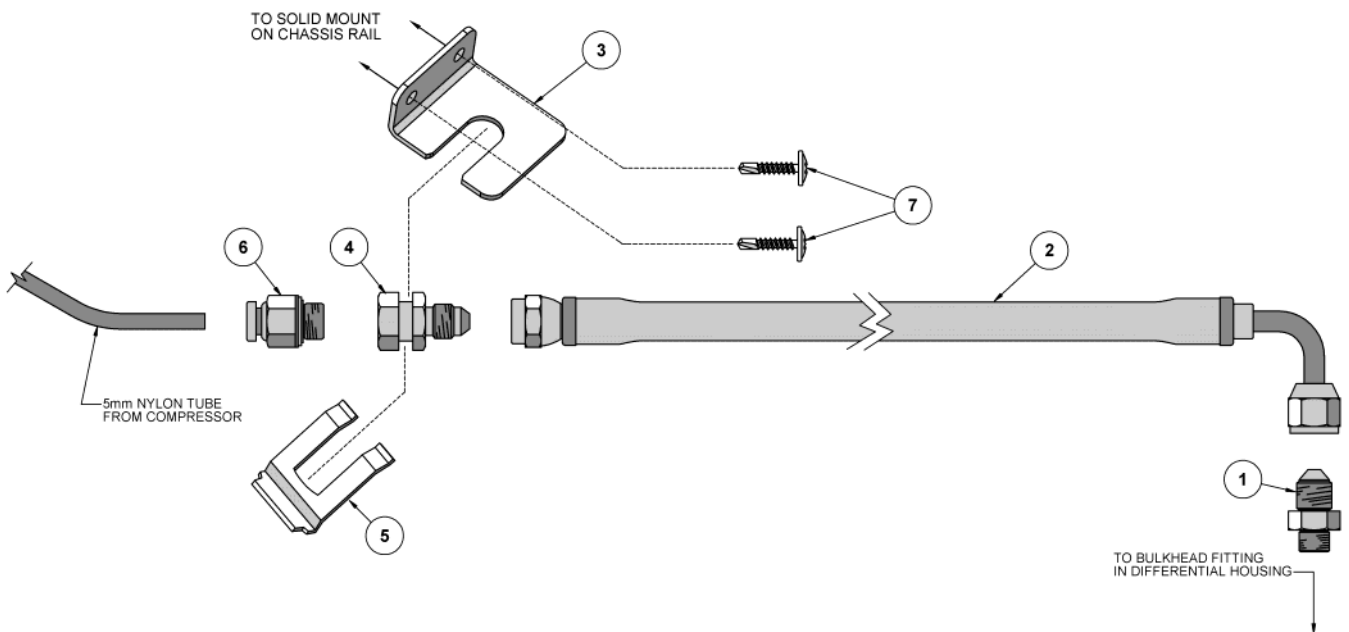
Push-in Size 5mm
 Bulkhead Thread 3/8-24 UNF
 Hose Length 1.2 meters [47.25"]

Notes:

- 1 This adaptor is made from durable stainless steel to withstand the high tension rating of the reinforced hose.

Where a vehicle is used in extreme conditions, including snow drifts, heavy scrub, fallen trees, etc, and there is concern about the blue nylon air line being damaged, then ARB can offer a heavy duty reinforced air line to use in the exposed area between the chassis of the vehicle and the axle assembly.

NOTE: When installing a heavy duty air line kit, make sure there is sufficient slack in the installed hose to allow for full droop of the axle.



HDAL

