

RHINO-RACK®

Sunseeker Awning

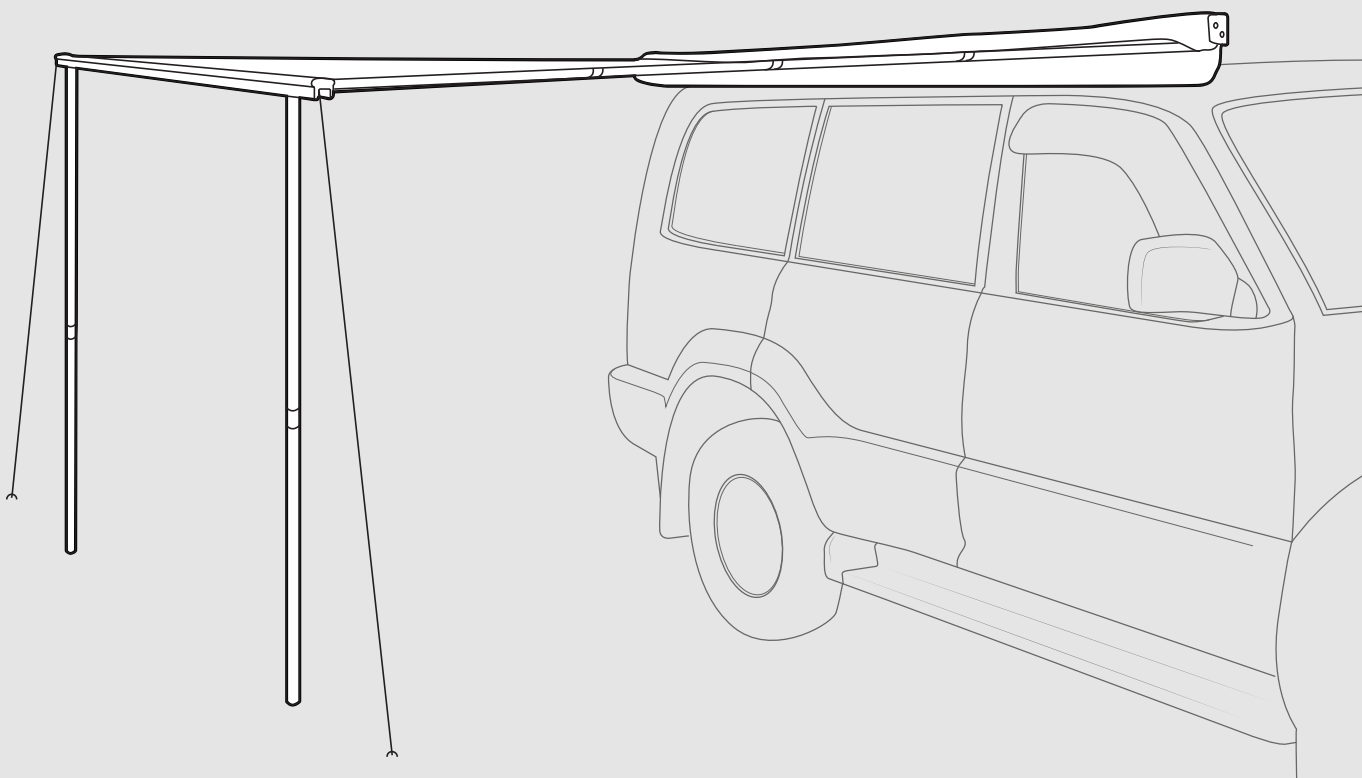
32143 (2.0m) / 32144 (2.5m)

Important:

1. Check the Rhino-Rack website to ensure you have the latest issue of these instructions.
2. Please refer to your fitting instruction to ensure that the roof racks are installed in the correct locations.
3. Check the contents of kit before commencing fitment and report any discrepancies.
4. Place these instructions in the vehicle's glove box after installation is complete.
5. These instructions must be followed for warranty to be upheld.

Fit Time: 15 mins

sunseeker



Thank you for choosing Rhino-Rack!



WELCOME TO THE HERD.

For peace of mind register your product by heading to rhinorack.com/register

Rhino-Rack AUSTRALIA
22A Hanson Place,
Eastern Creek, NSW 2766

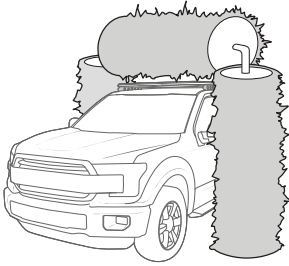
Rhino-Rack USA
19822 E. 22nd Avenue,
Unit B, Aurora, CO 80011

RHINORACK.COM

Document No: 520-RFI-00215

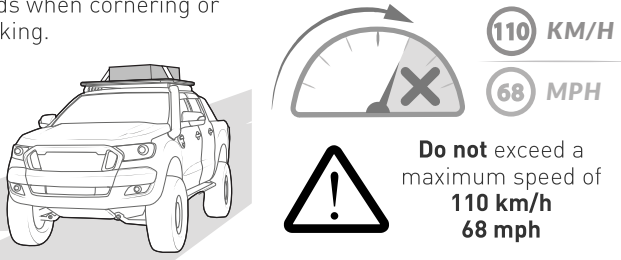
Issue No: 04

Issue Date: 18/06/2025



Racks and accessories must be removed when vehicle is put through an automatic car wash.

Use extreme caution transporting wind-resistant loads when cornering or braking.



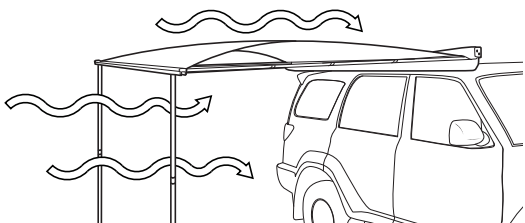
110 KM/H
68 MPH

Do not exceed a maximum speed of **110 km/h** **68 mph**

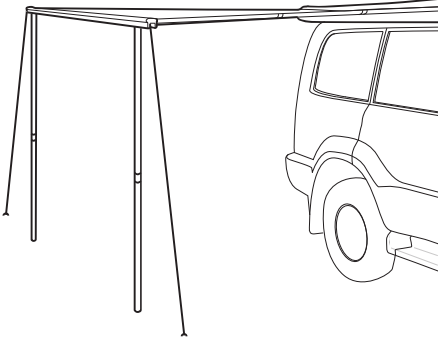
If awning is wet, dry before you stow.



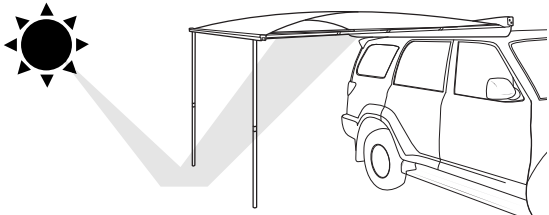
In windy or rainy conditions, use support poles. It is advised that the awning be stowed away in strong winds. **Do not leave your awning unattended while open, weather conditions can change suddenly. Avoid setup in windy conditions.**



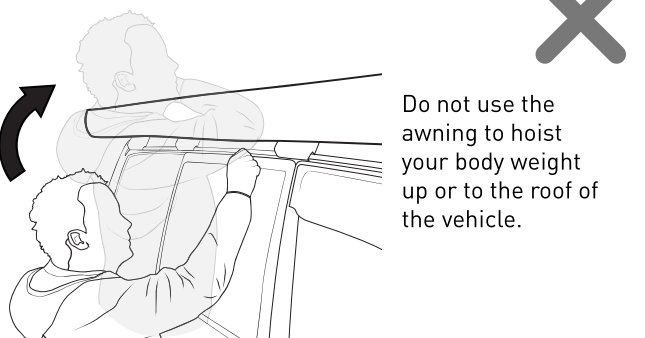
In windy or rainy conditions, use guy ropes when awning is deployed.



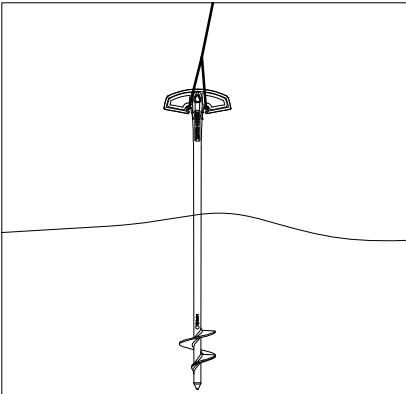
Shade does not provide 100% protection. Some UV can still reach you in the shade by reflecting off surrounding surfaces. Always combine shade with clothing, a hat, sunglasses and sunscreen.



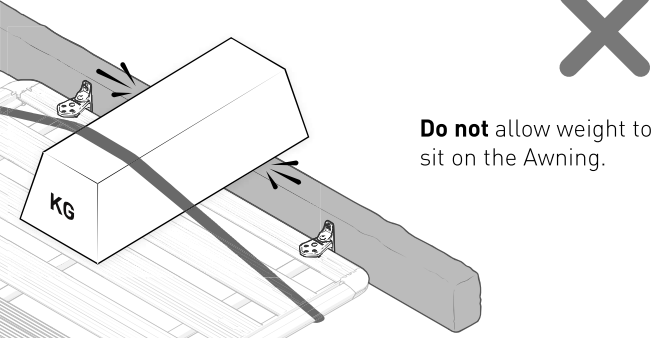
Do not use the awning to hoist your body weight up or to the roof of the vehicle.



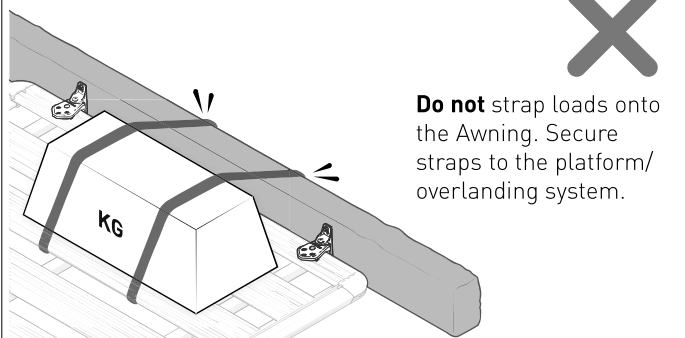
Always use sand screws (31113, sold separately) when awning is open on beach or sand.



Do not allow weight to sit on the Awning.



Do not strap loads onto the Awning. Secure straps to the platform/overlanding system.



Important Information

Recommendations

Use only non-stretch fastening ropes or straps.

Please remove Awning and crossbars when putting vehicle through an automatic car wash.

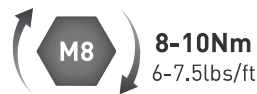
Do not stow away the awning for long periods if it is wet. You must allow the awning material to dry completely before storing for extended periods of time. When rolling up the awning, avoid excessive bunching up of the material before stowing. The awning should be rolled up as neatly as possible.

In service maintenance checks

- All bolt connections should be checked after driving a short distance when you first install your roof racks.
- All bolted connections should be checked again at regular intervals (weekly is recommended, depending on road conditions, usage, loads and distances travelled).
- All bolted connections should be checked each time they are re-fitted.
- Off-road conditions are more rigorous. Check all bolted connections and your load more regularly.
- Ensure that your vehicle manufacturer's GVM, and gross axle weights are not exceeded (refer to vehicle owner's manual).

Torque Settings:

Unless stated otherwise in these instructions, all fasteners should be set to the following torque settings:



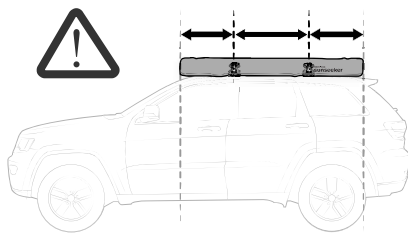
Load Ratings

With the addition of the Sunseeker Awning, the load capacity of your crossbars will have to be adjusted accordingly. The Sunseeker Awning with mounting brackets weighs approximately 11kg.

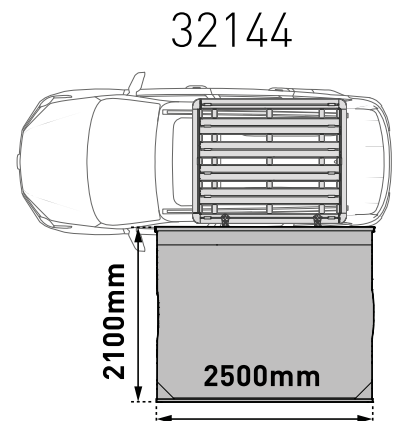
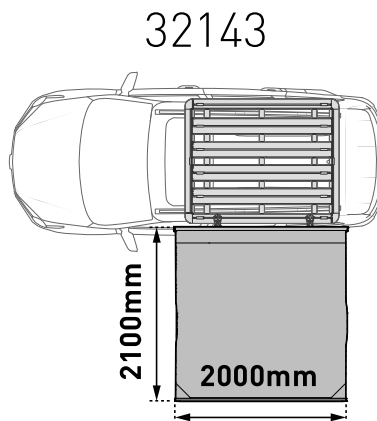
Note for Dealers and Fitters

It is your responsibility to ensure this fitting instruction is given to the end user or client. It is your responsibility to ensure these fitting instructions are given to the end user or client. These instructions remain the property of Rhino-Rack Australia Pty. Ltd. and may not be used or changed for any other purpose than intended.

Placement and Dimensions



NOTE: Ensure Awning has close to equal overhang over Front and Rear crossbars.



CONTENTS

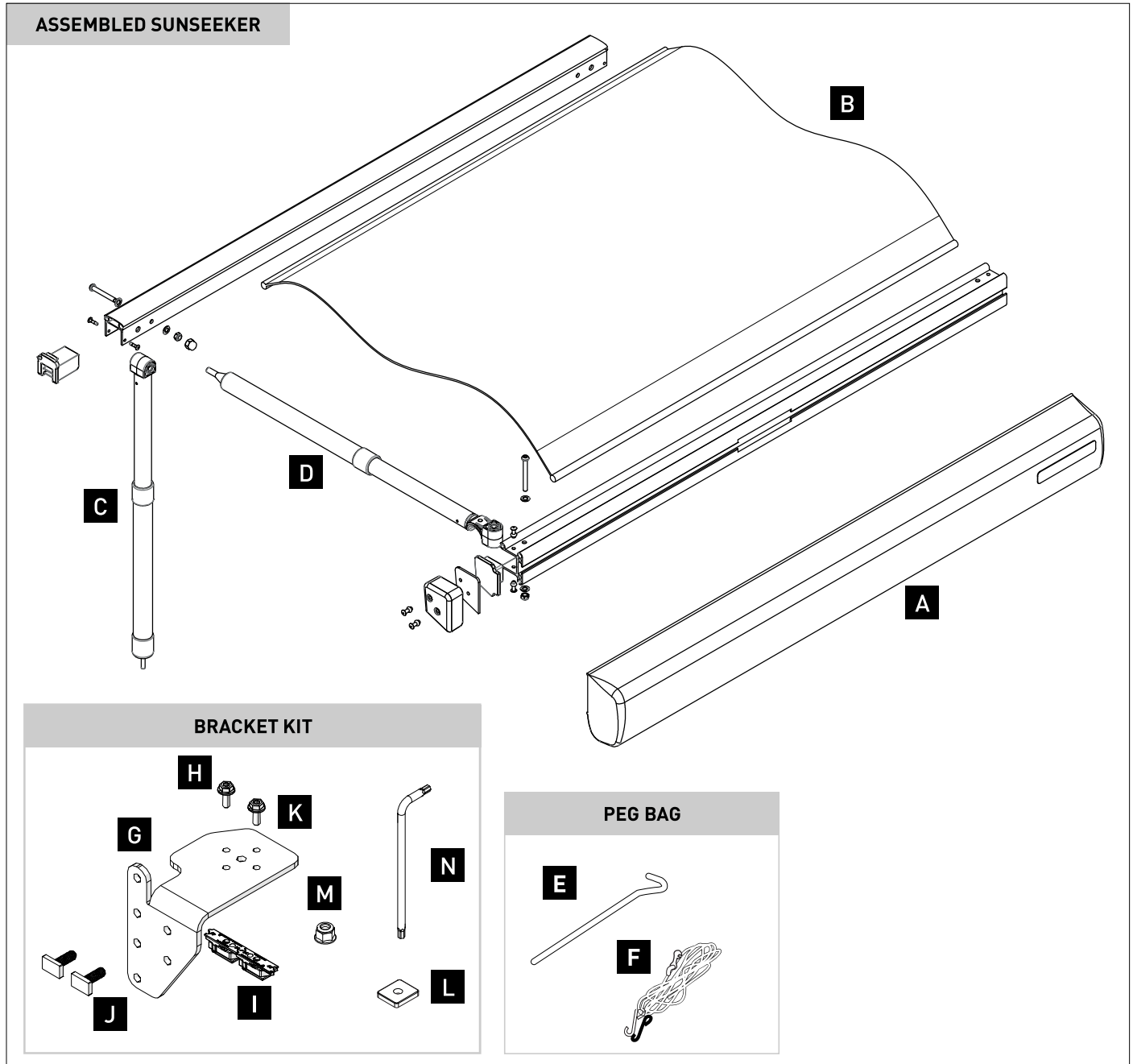
Installation onto:

Pioneer Platforms ————— Steps **1 - 6** and **8 - 15**

VA / RD / Sportz Crossbars — Steps **7 - 15**

Operation ————— Steps **16 - 24**

Parts List



Item	ASSEMBLED AWNING	Qty	Item	BRACKET KIT	Qty
A	Awning Bag	1	G	Base Bracket	2
B	Awning Material	1	H	M6 x 16mm Hex Head Flanged Bolt	4
C	Vertical Front Pole	2	I	Zwifloc Drop-in Nut	4
D	Horizontal Support Pole	2	J	T-bolt	4
			K	M6 x 12mm Hex Head Flanged Bolt	4
			L	Square Nut	4
			M	M8 Nyloc Nut	4
			N	Torx Key (T30)	1
Item	PEG BAG	Qty			
E	Metal Peg	2			
F	Guy Rope	2			

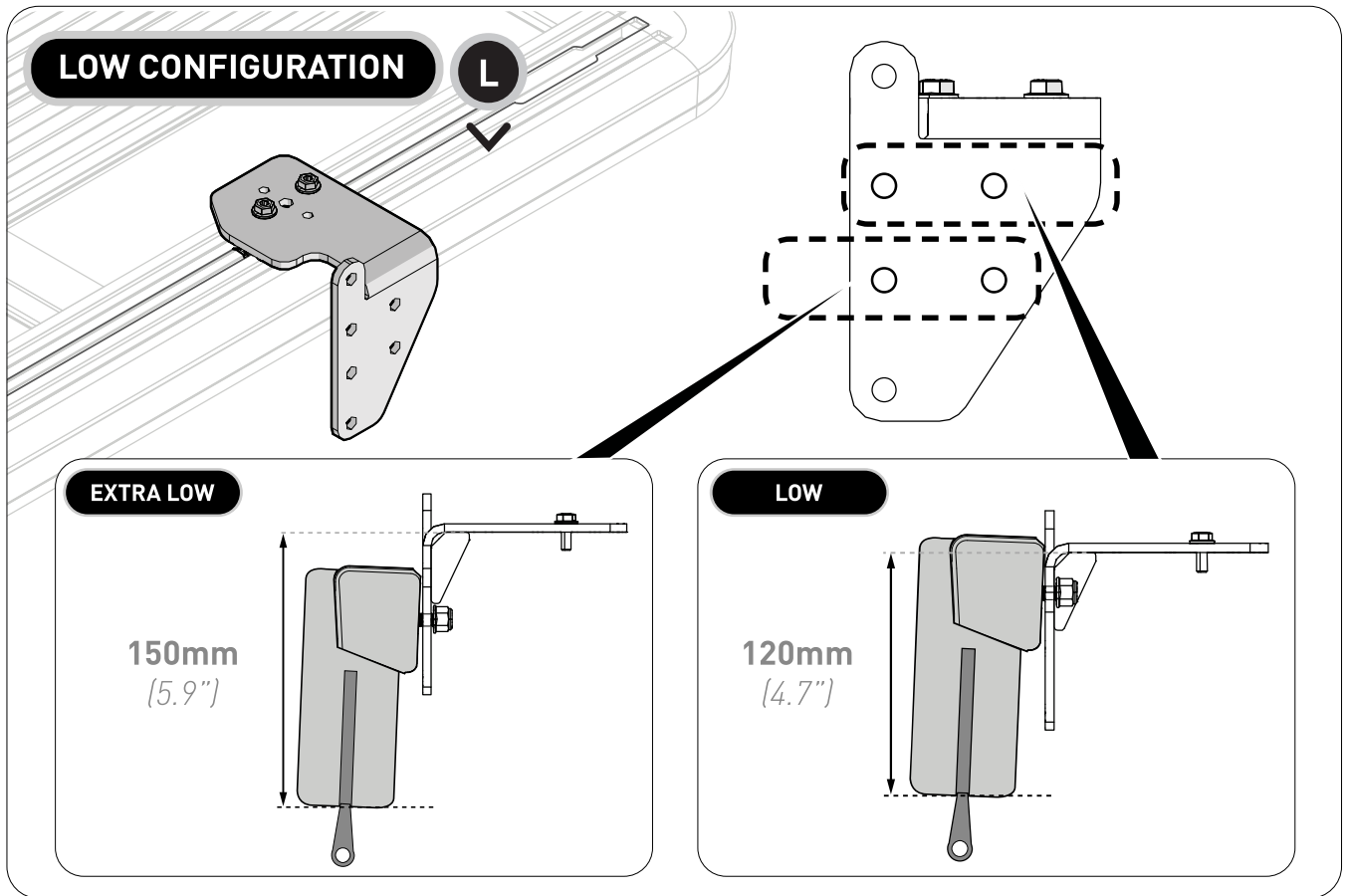
TOOLS REQUIRED:

- T1** - Tape Measure
- T2** - 10 & 13mm (1/2") Spanner (or Socket wrench)
- T3** - Step Ladder
- T4** - Hammer/Mallet

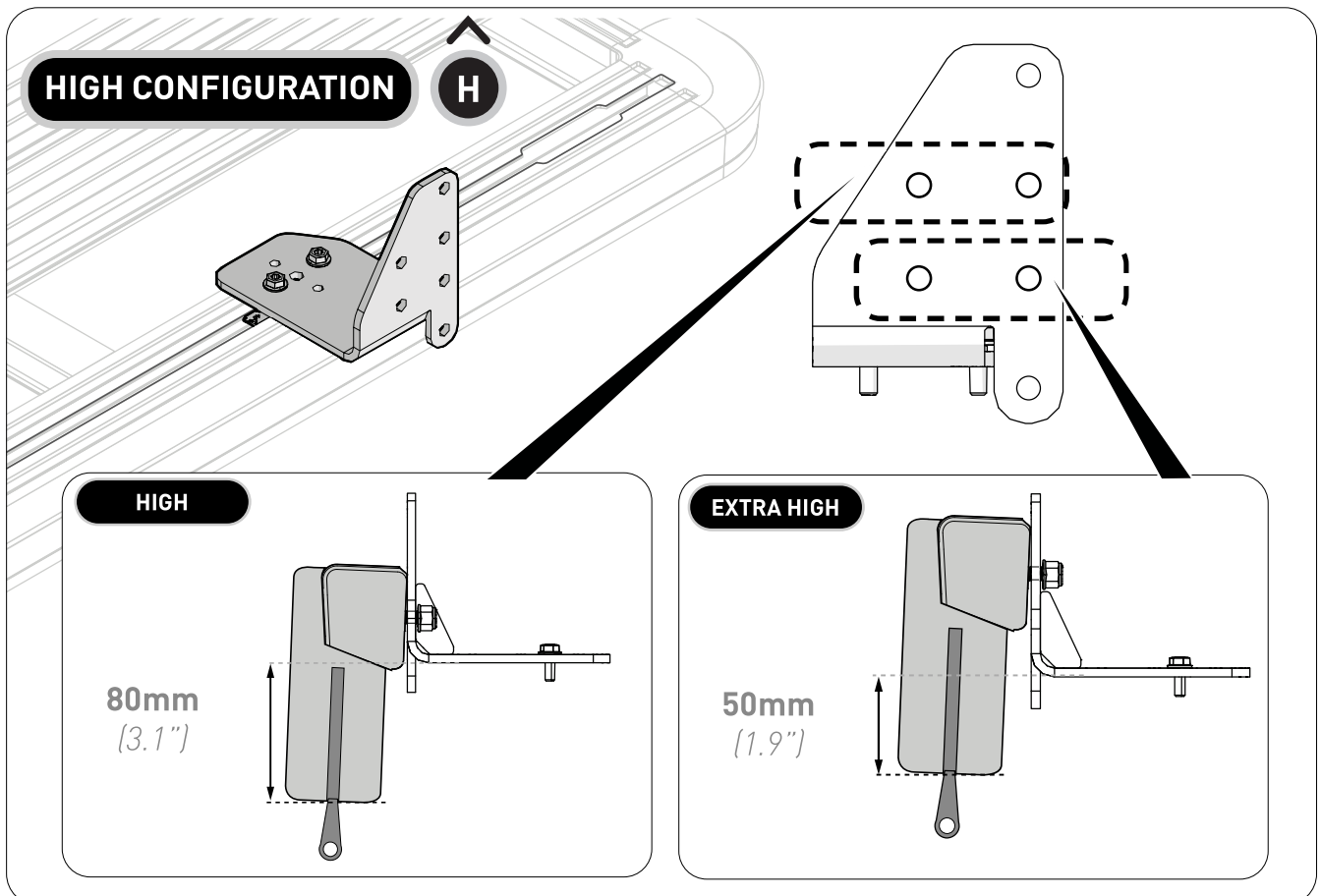
Bracket Height Setup

The bracket can be set up in **4** different **height configurations**. Before starting, decide which configuration best suits your setup.

(For the purpose of these instructions, the steps are shown in the **LOW** configuration.)

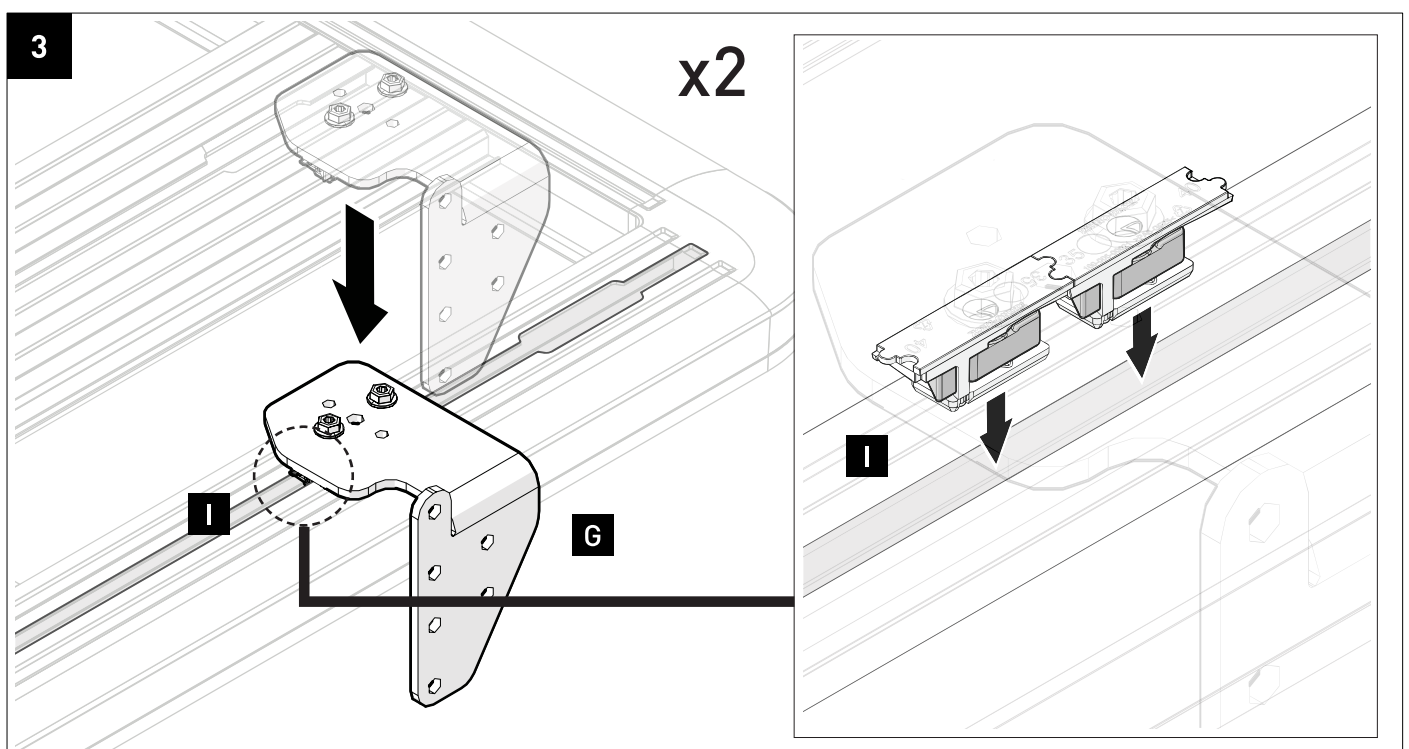
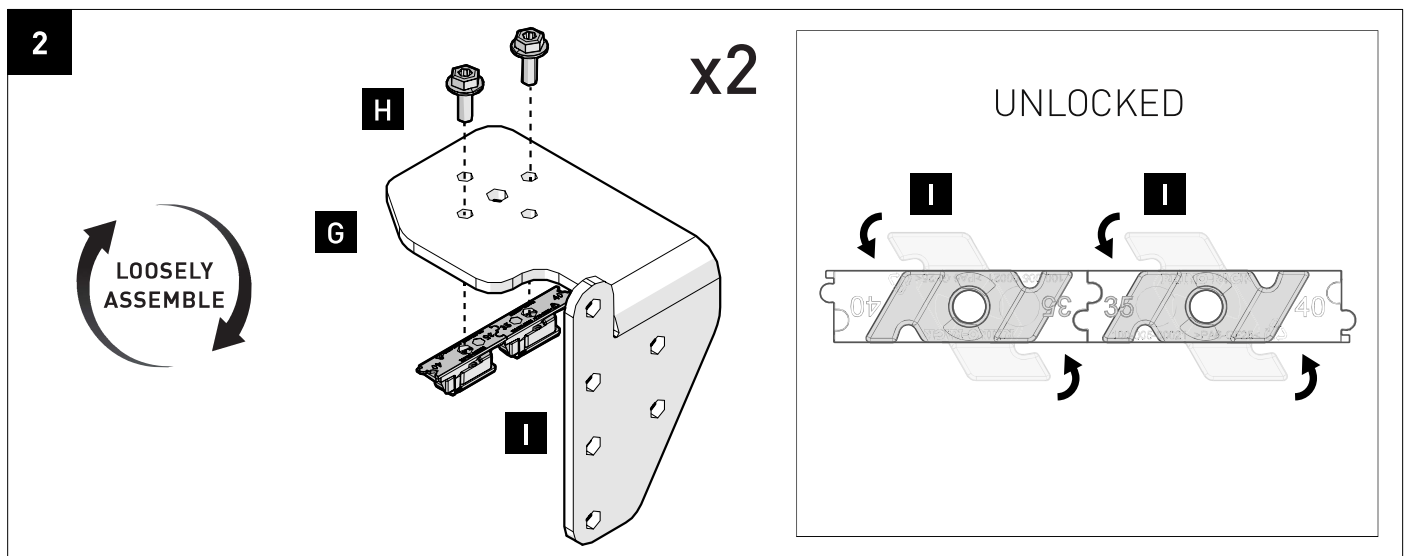
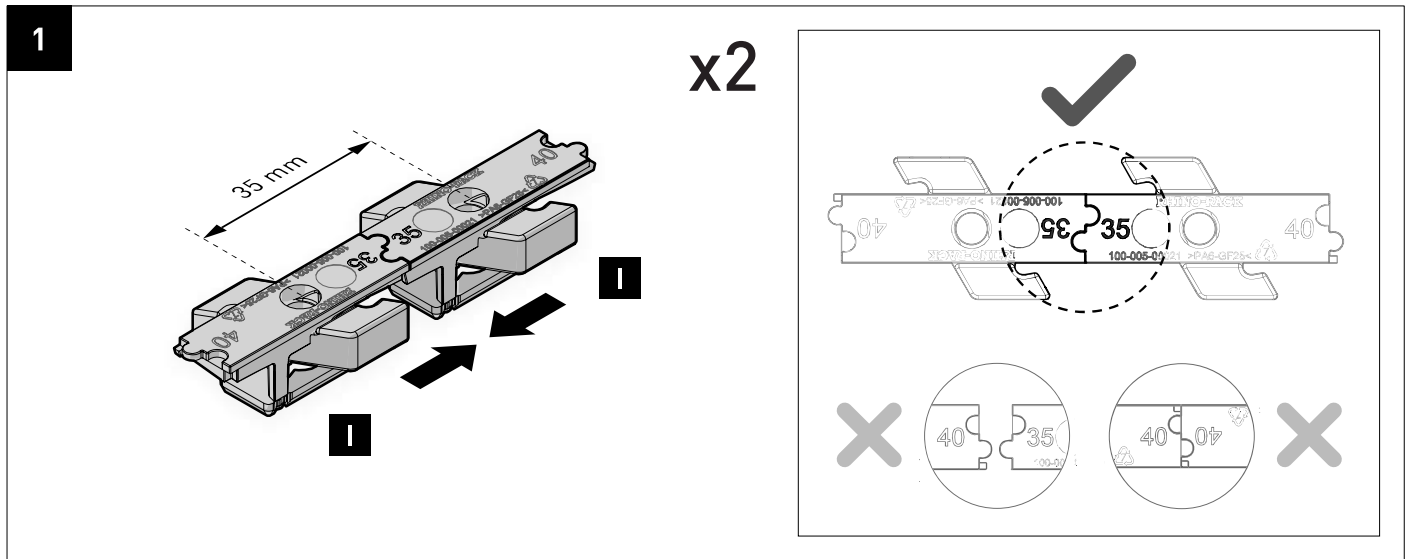


OR

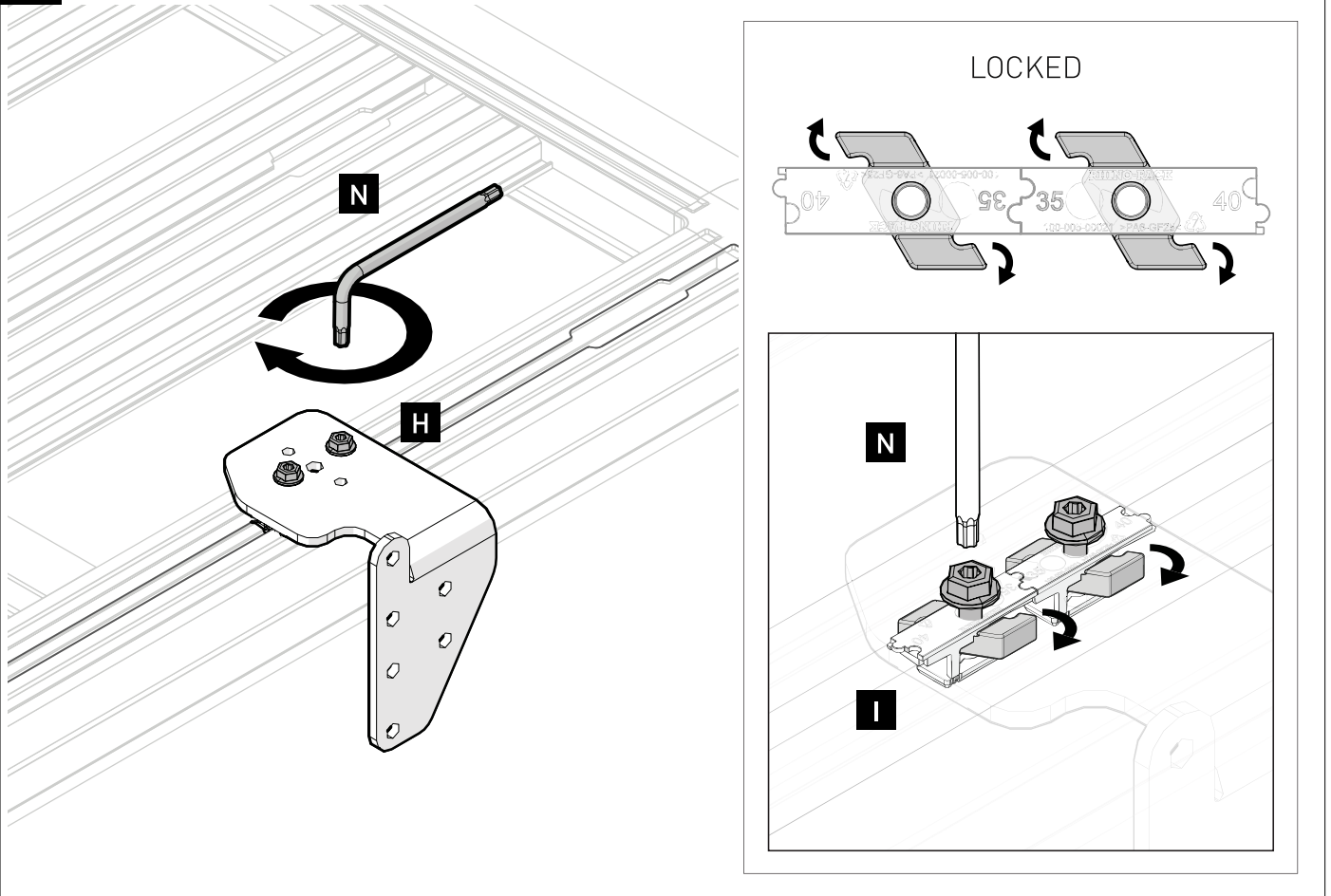


For Installation onto PIONEER PLATFORMS

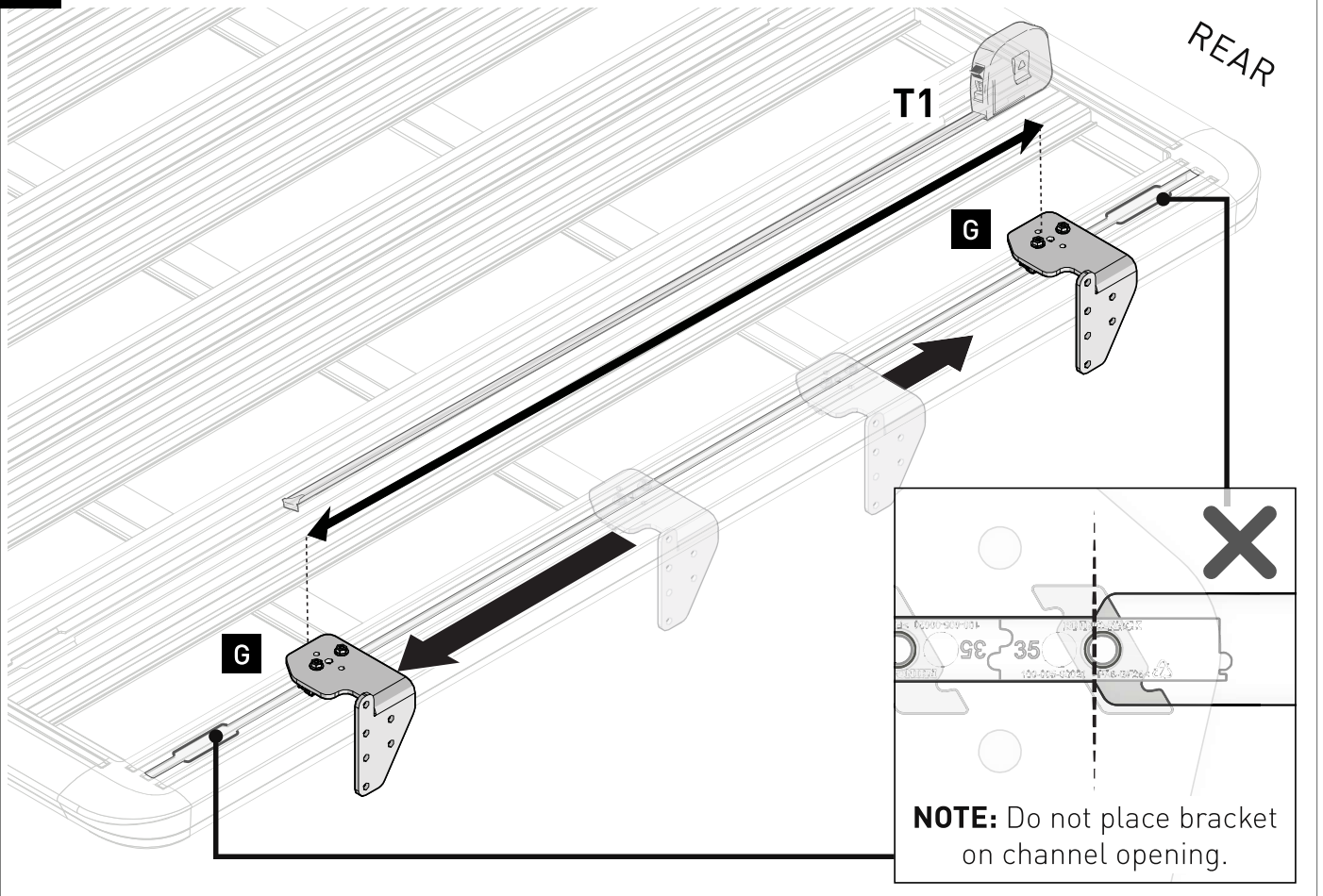
(For Crossbars, skip to Step **7**)



4 Loosely fasten into the channel, but do not tighten.

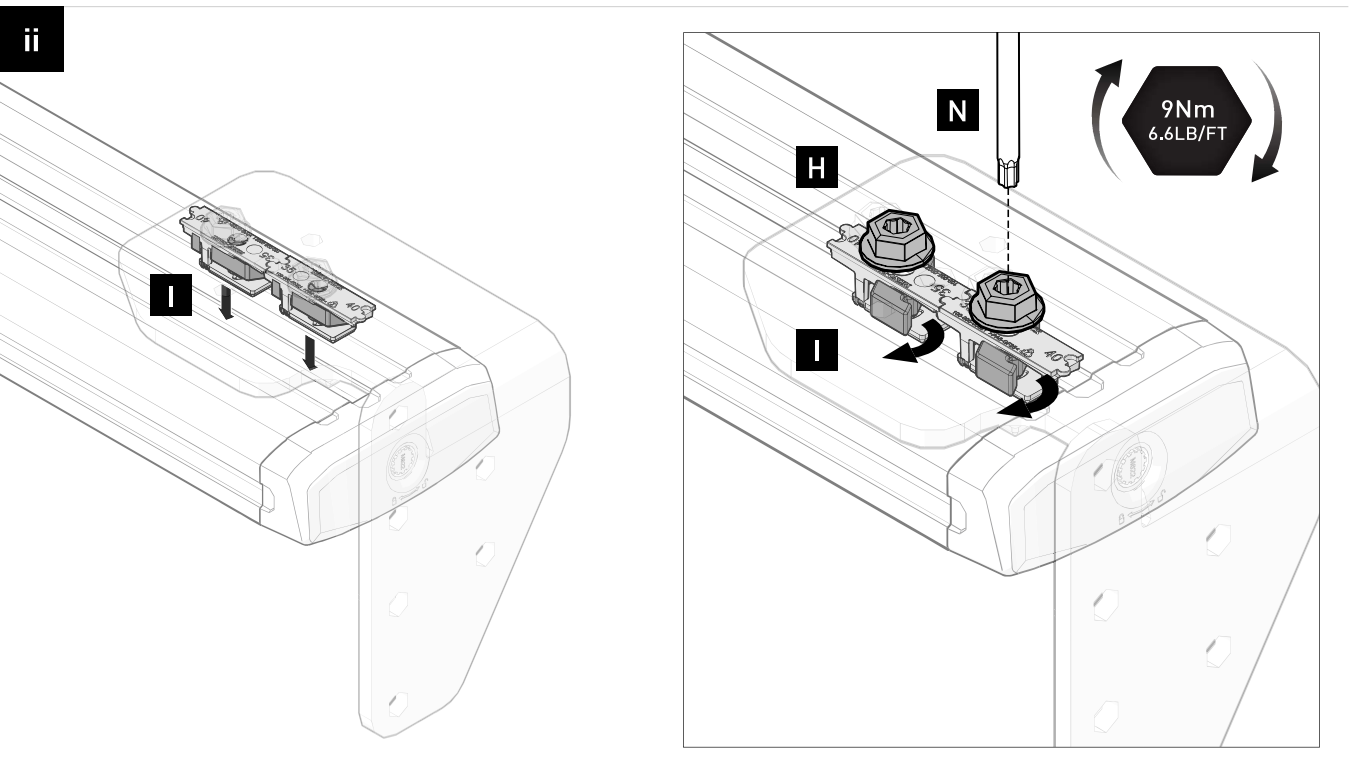
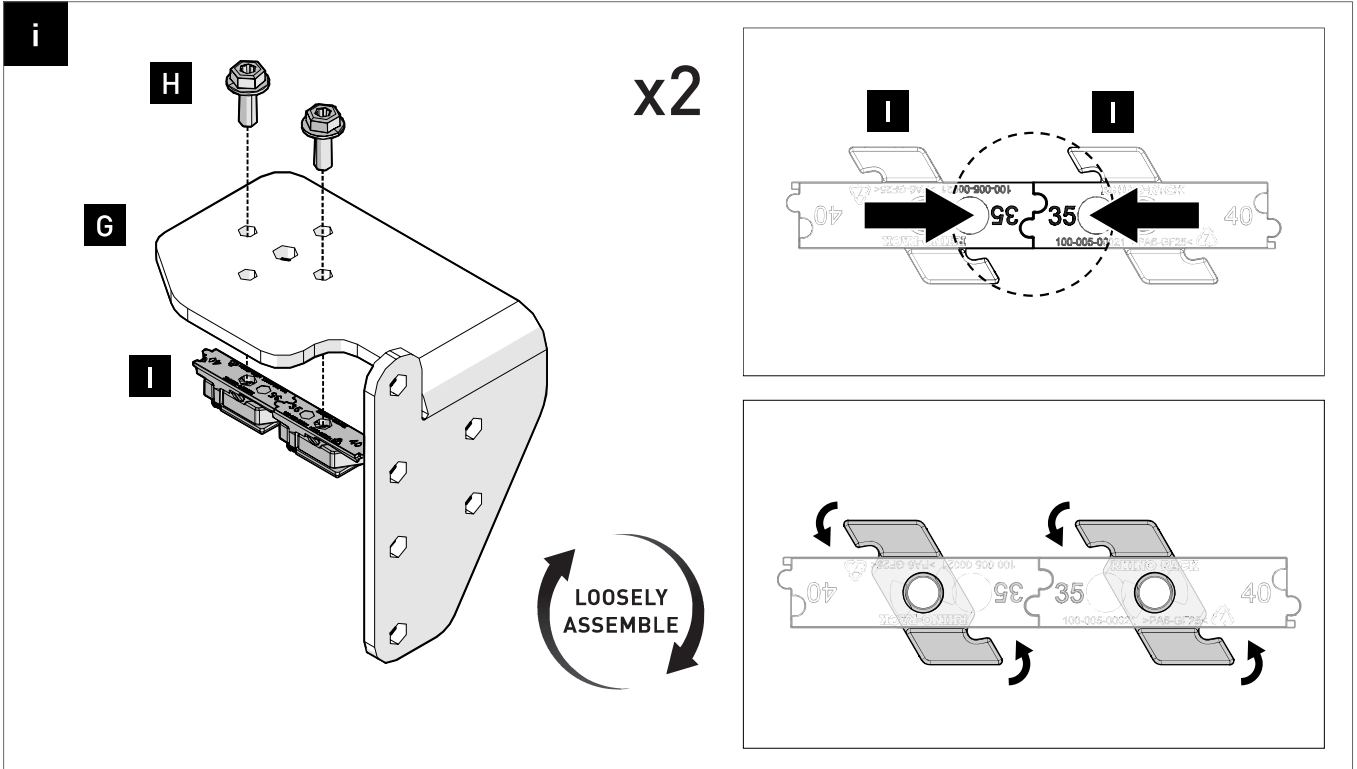


5 Move brackets to outermost edges of Platform, **avoiding channel apertures**.



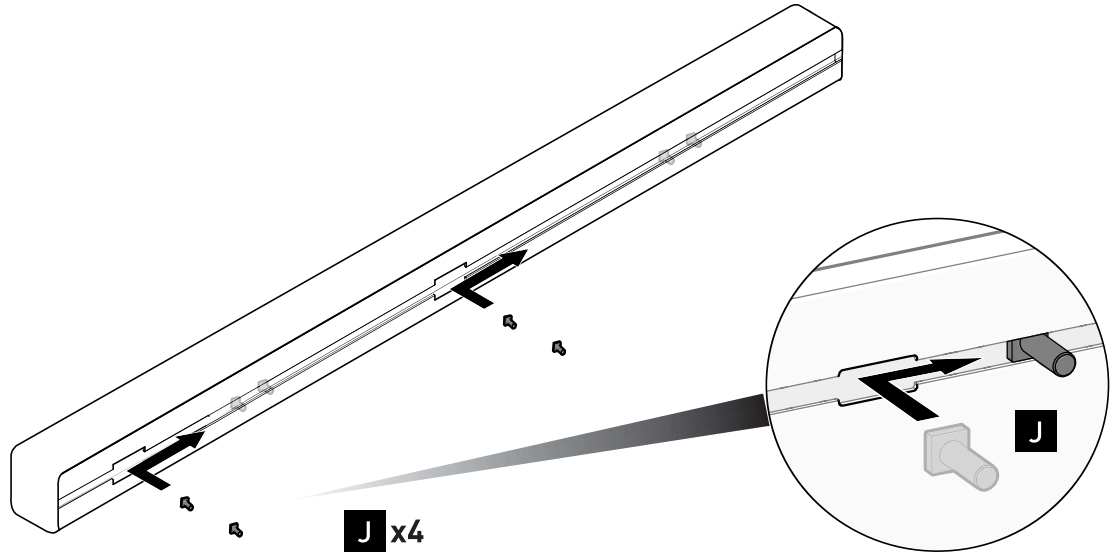
7b

RECONN-DECK CROSSBAR:

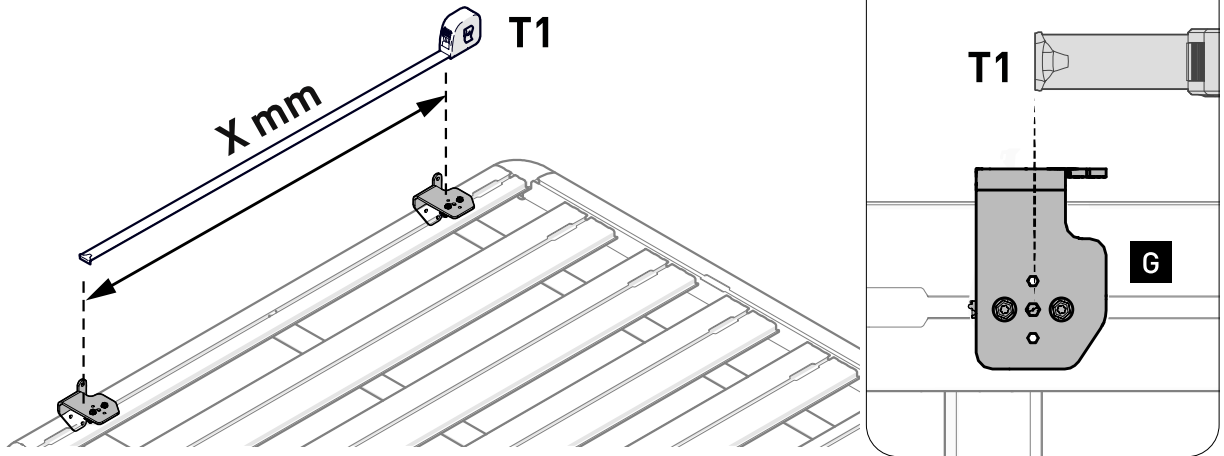


Once completed, skip to Step **8**

8

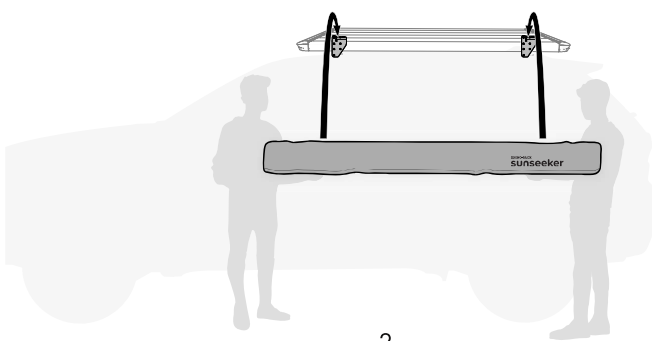


9 Measure the distance between the Base Bracket centers.

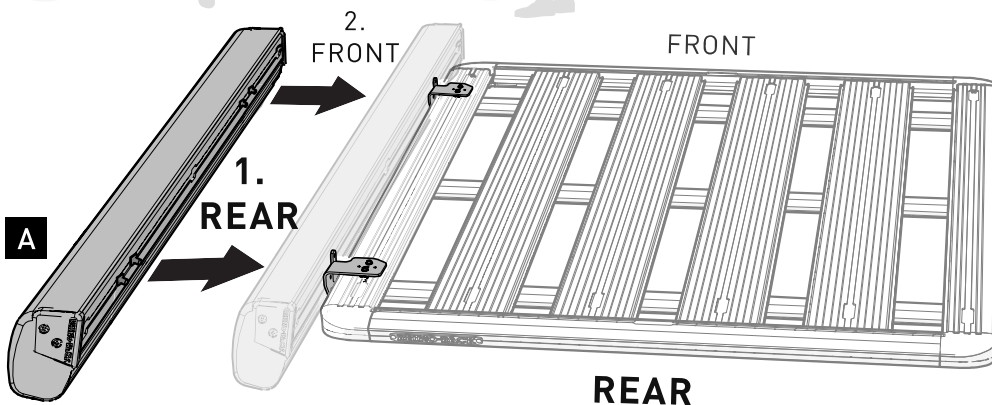


NOTE: Example depicts Pioneer Platforms. Also applies to Cross Bars.

10 Place Awning onto Base Brackets.



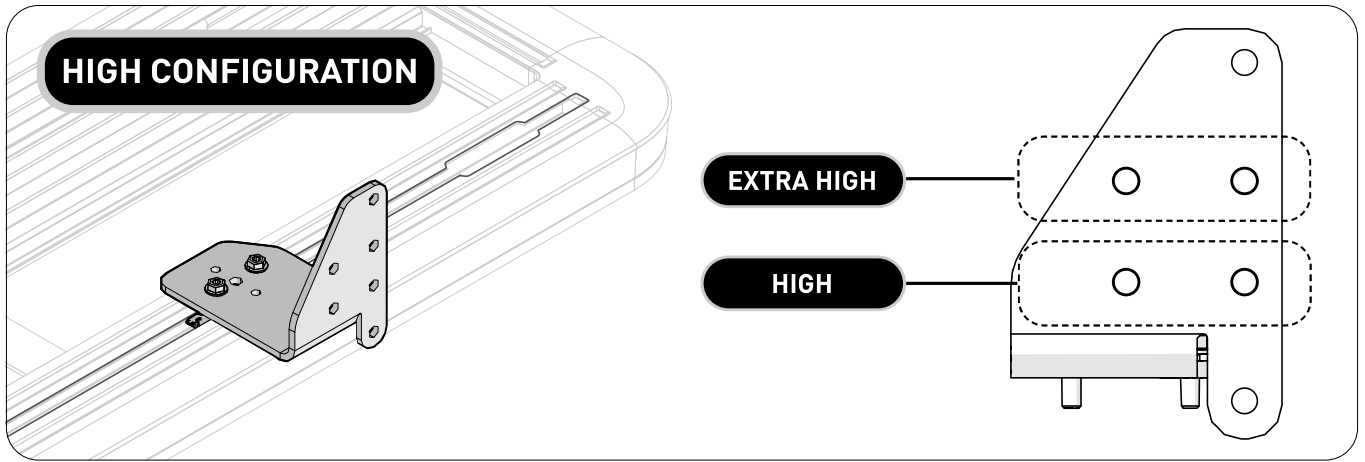
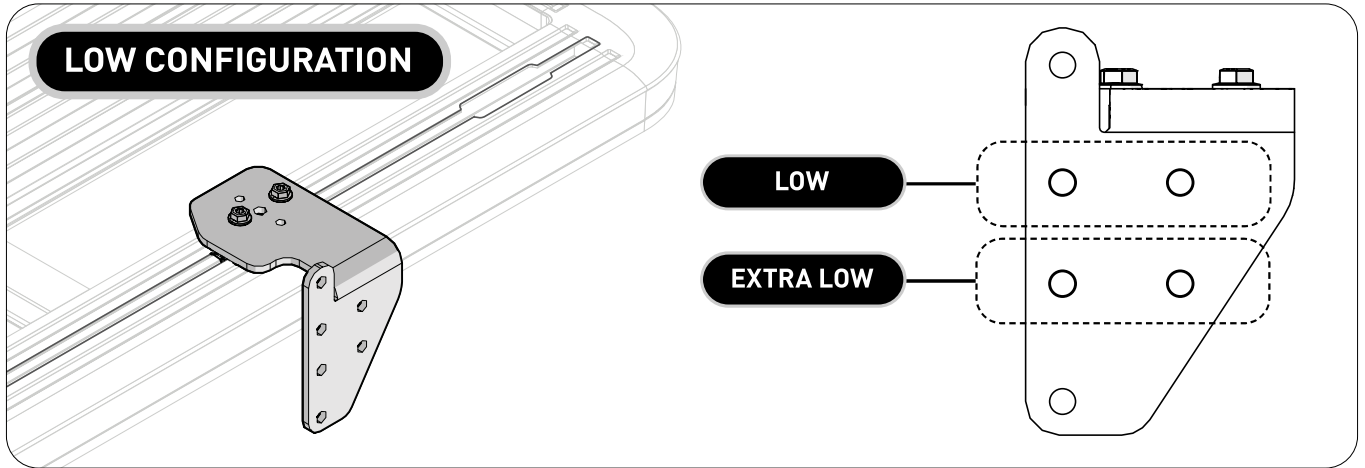
NOTE: Step Ladder may be required for taller vehicles.



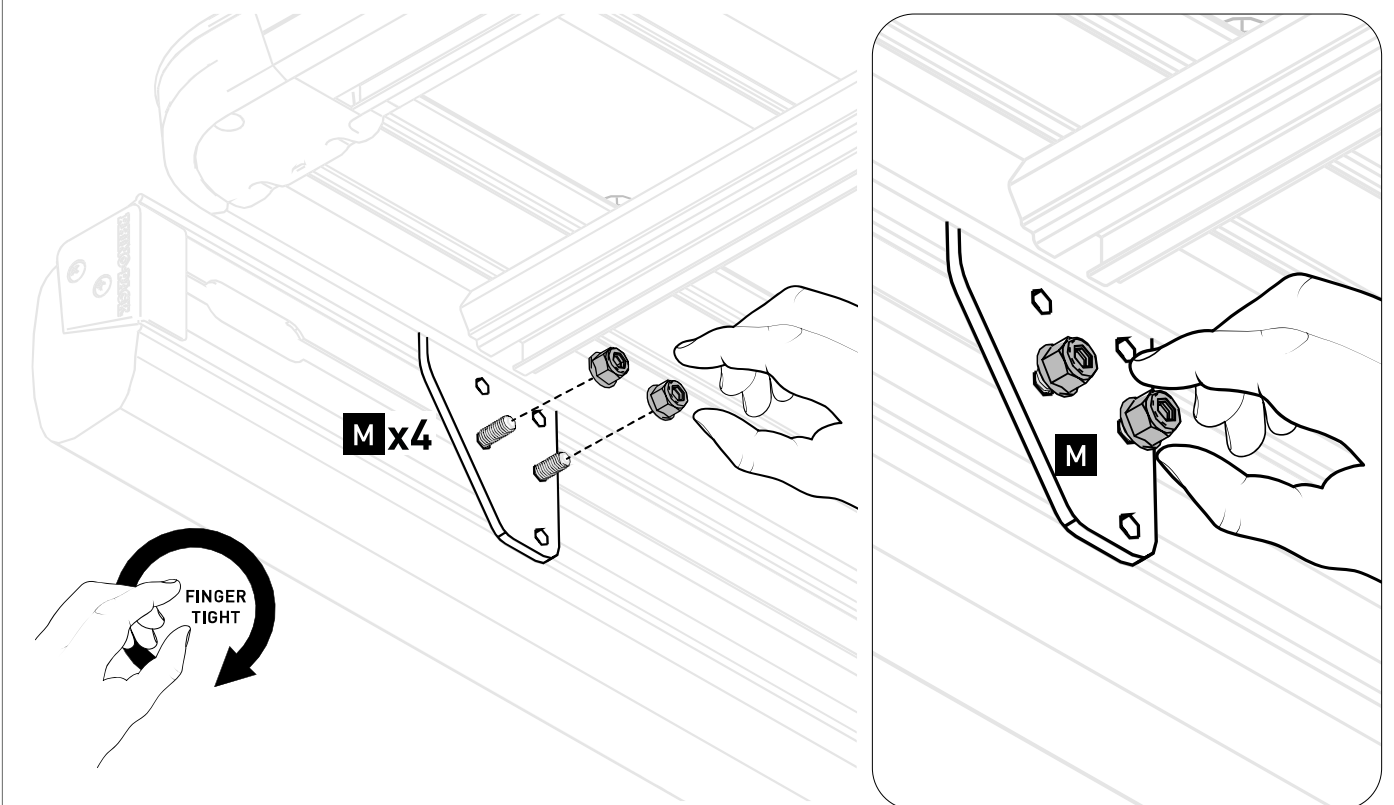
IMPORTANT: Inspect both connections overhead before releasing awning.

NOTE: Example depicts Pioneer Platforms. Also applies to Cross Bars.

11 Refer to **Page 5**. for specific configuration heights.



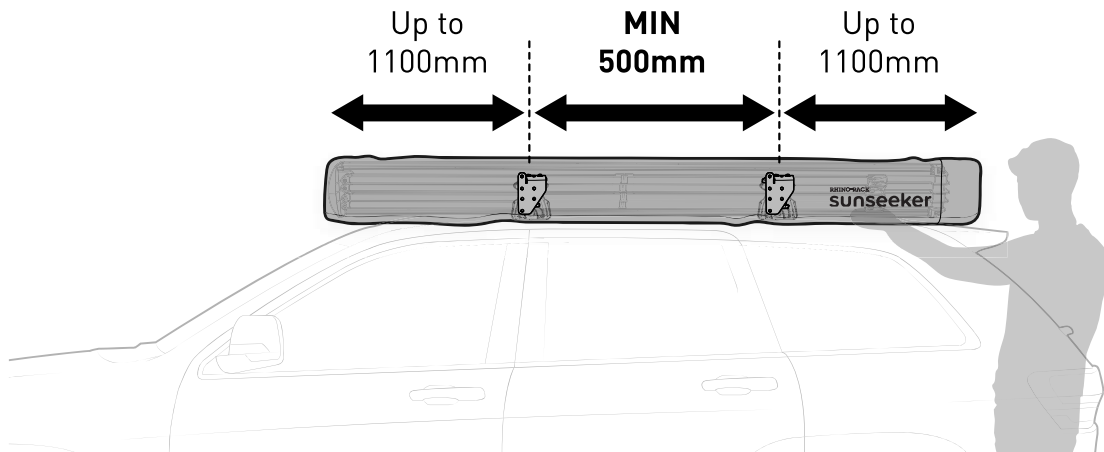
12 Finger-tighten nuts **M** at all four locations.



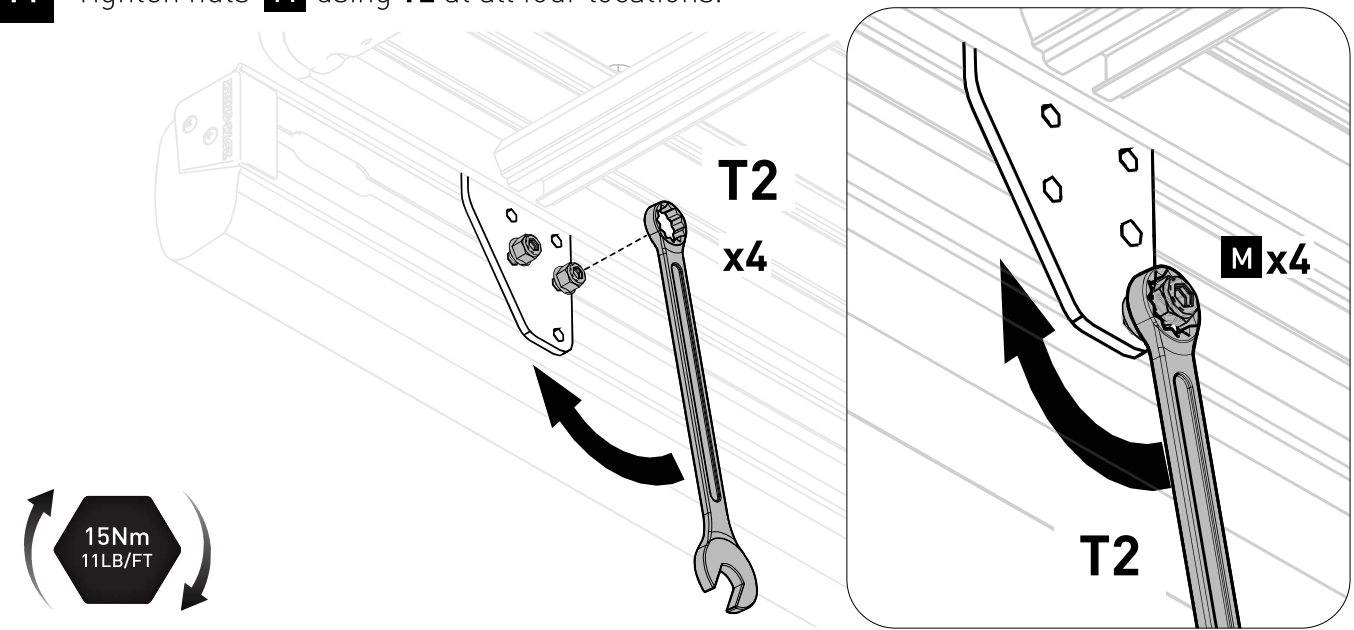
NOTE: Example depicts Pioneer Platforms. Also applies to Cross Bars.

13 Position Sunseeker to below dimensions.

NOTE Be aware of tail gate position and adjust awning accordingly.



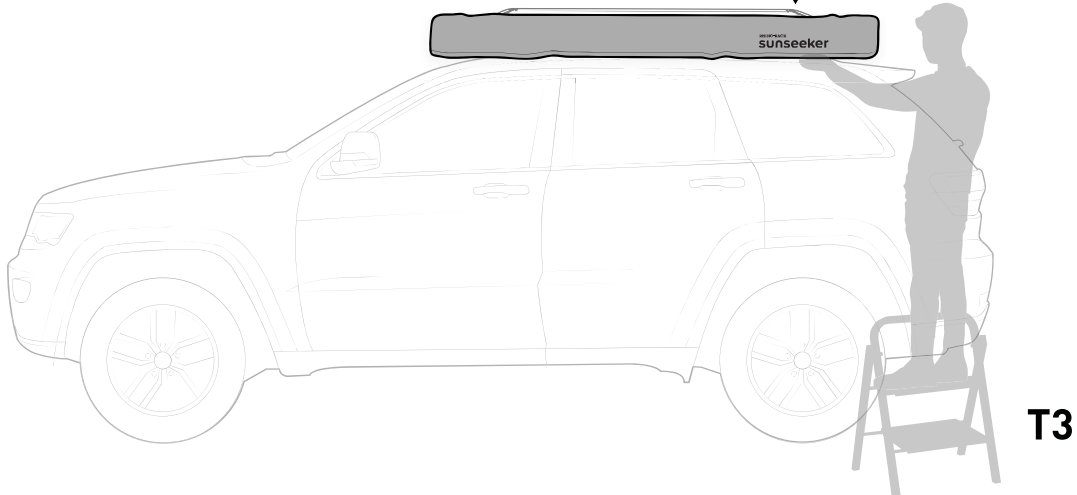
14 Tighten nuts **M** using **T2** at all four locations.



NOTE: Example depicts Pioneer Platforms. Also applies to Cross Bars.

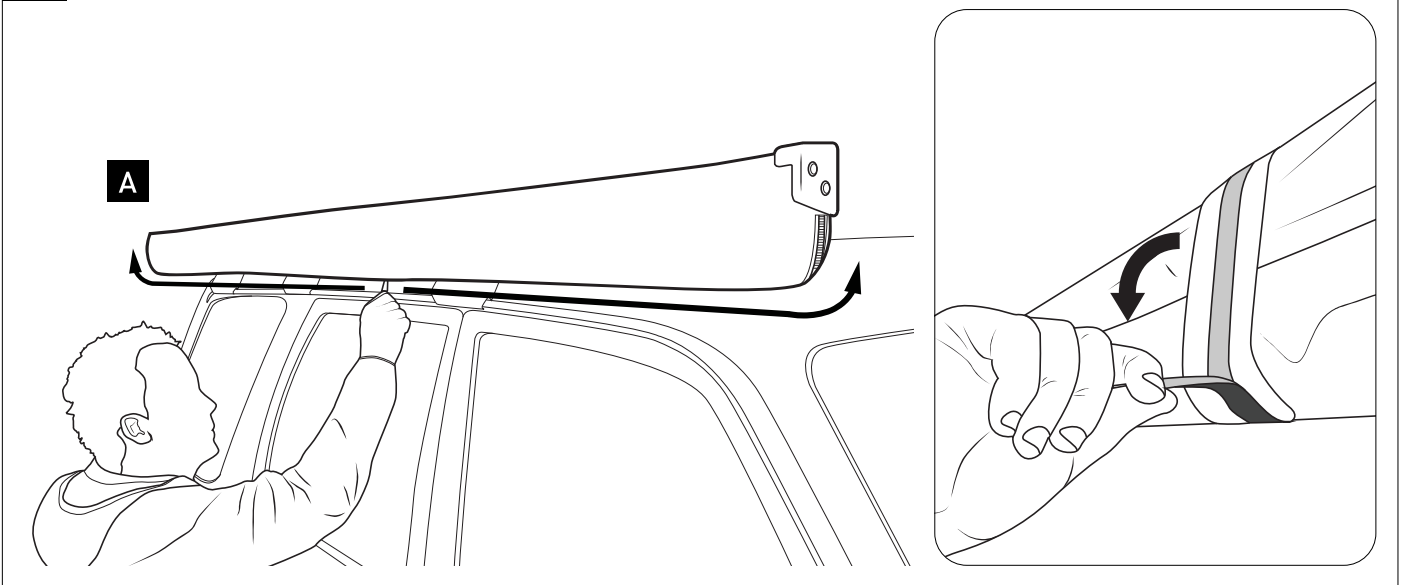
15

✓ Check fitment is secure



AWNING OPERATION

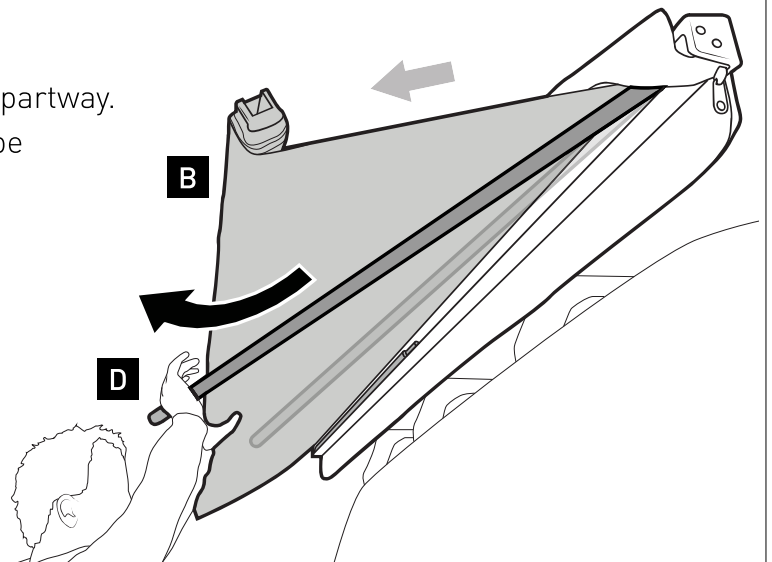
- 16** Unzip Awning Bag **A** and undo the Velcro Straps, while holding the Awning in place.



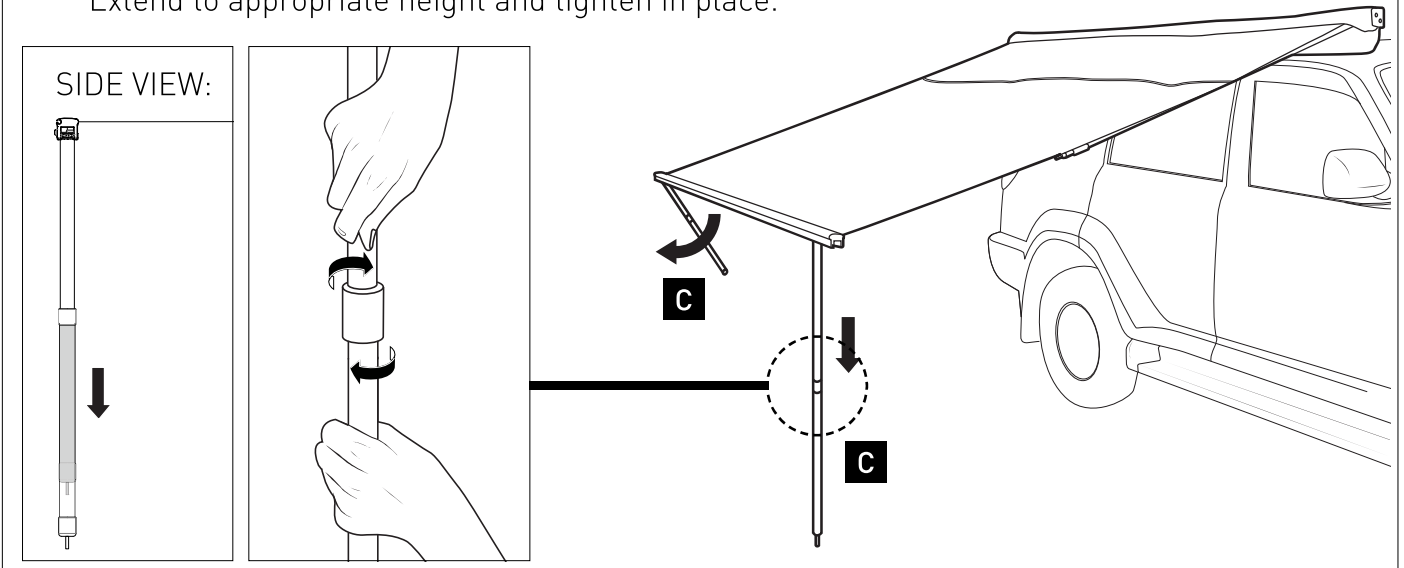
17

- 1.** Carefully unroll the Awning Material **B** partway. The Horizontal Supports Poles **D** should be exposed at this point.

- 2.** Rotate both **D** Supports out from the body of the Awning.

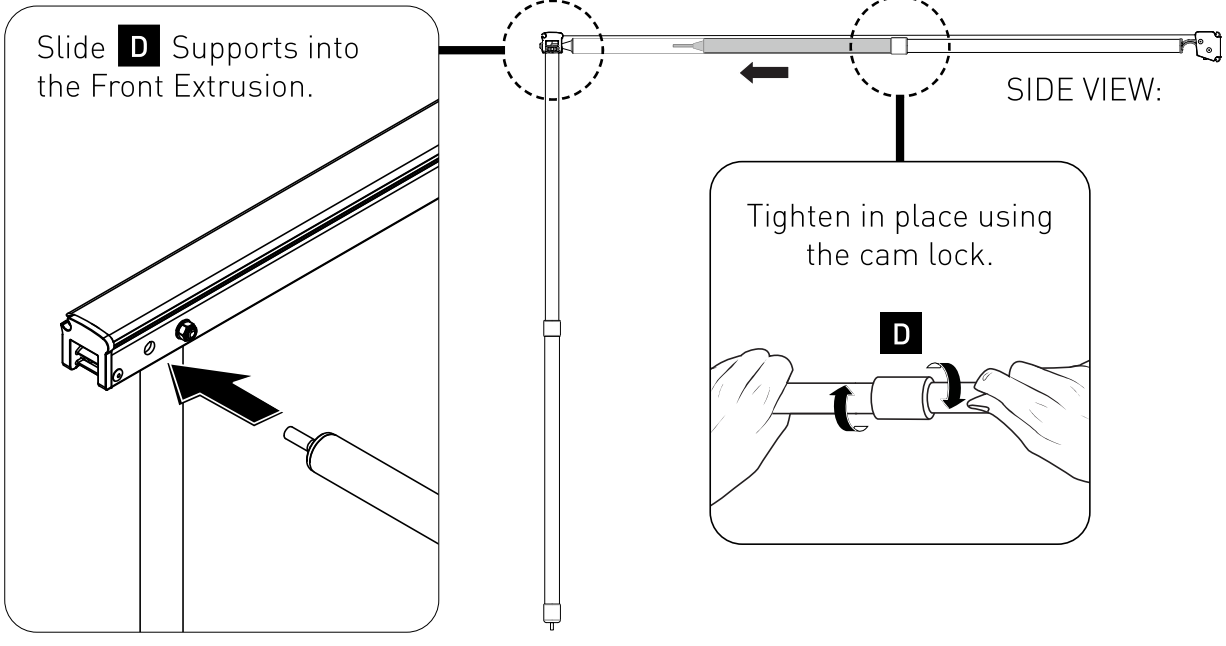


- 18** With the awning extended, drop down the Vertical Front Poles **C**. Extend to appropriate height and tighten in place.



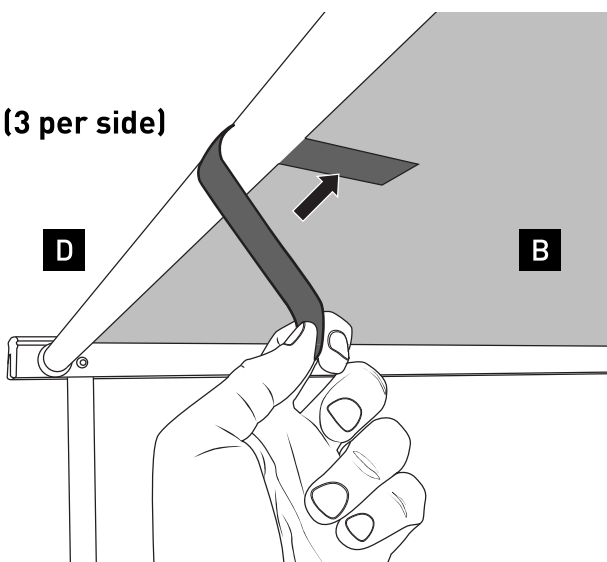
19

Slide **D** Supports into the Front Extrusion.

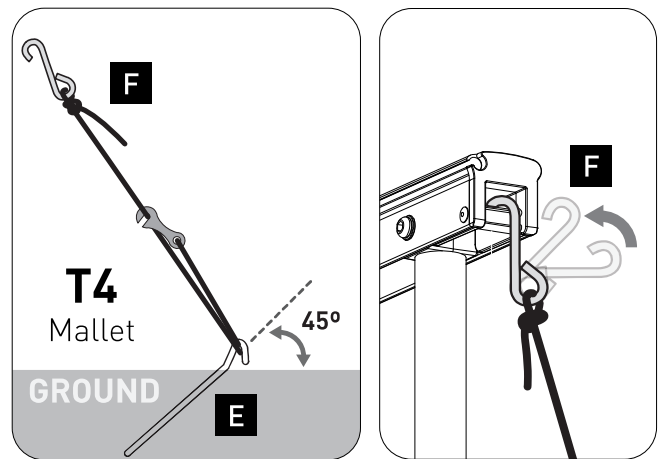


20a Attach the Velcro Straps to **D** Supports.

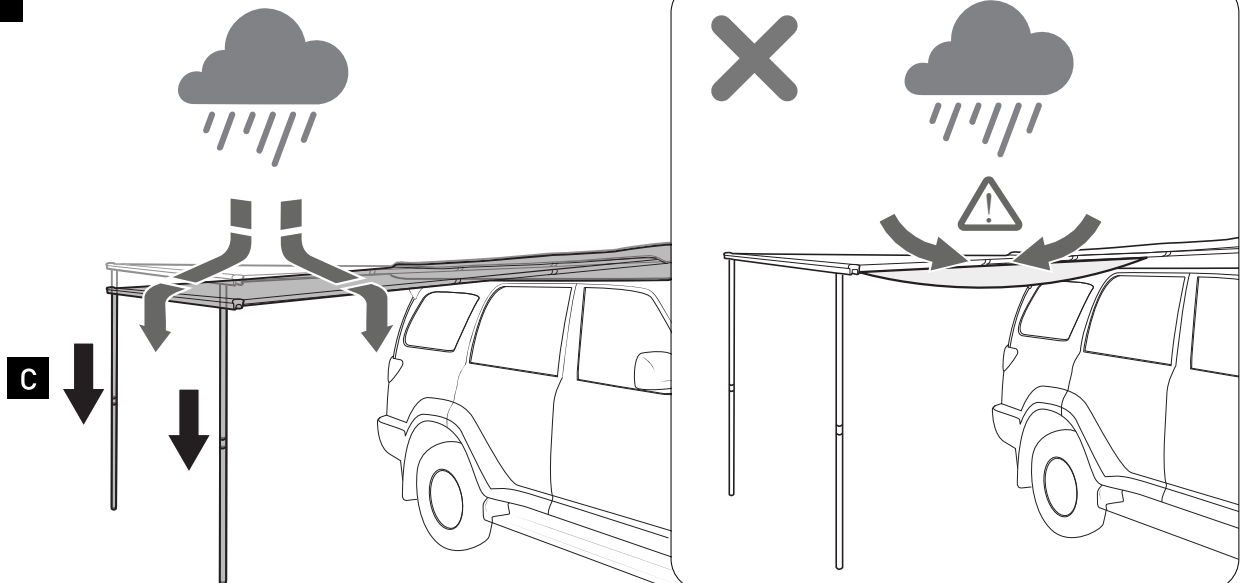
(3 per side)



20b Drive the Metal Pegs **E** into suitable ground on either side of the Awning. Hook and tighten Guy Ropes **F** to secure the Awning in place.



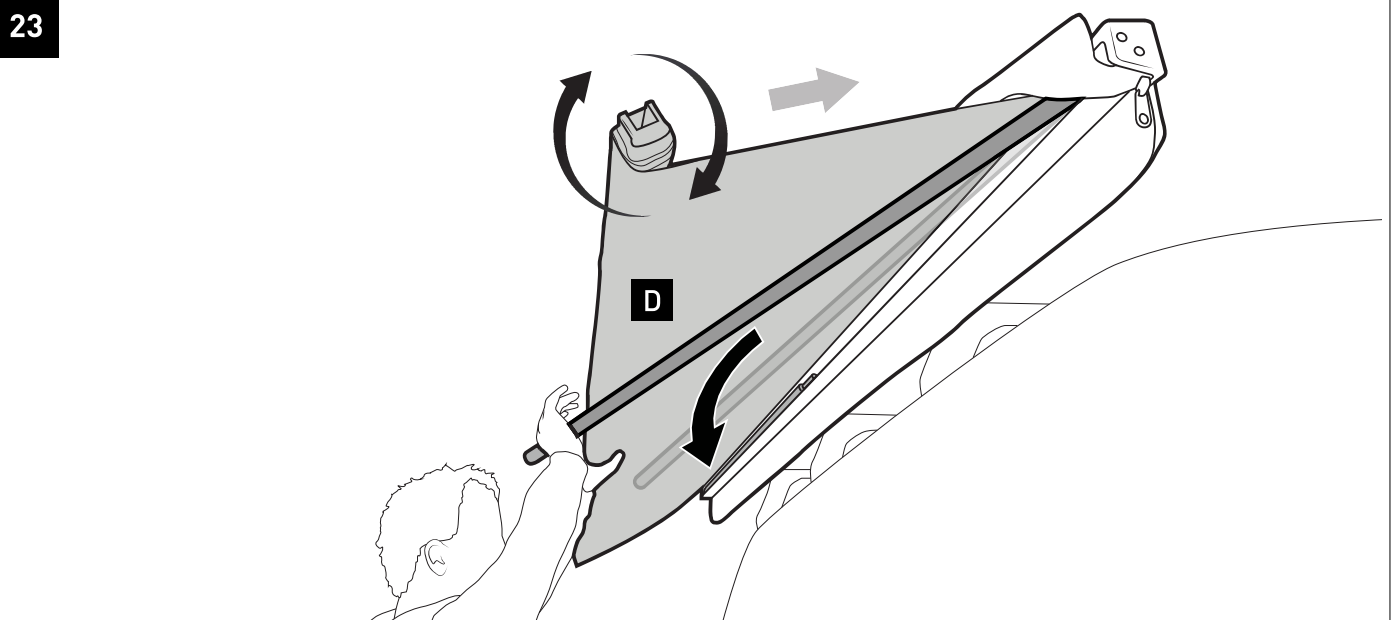
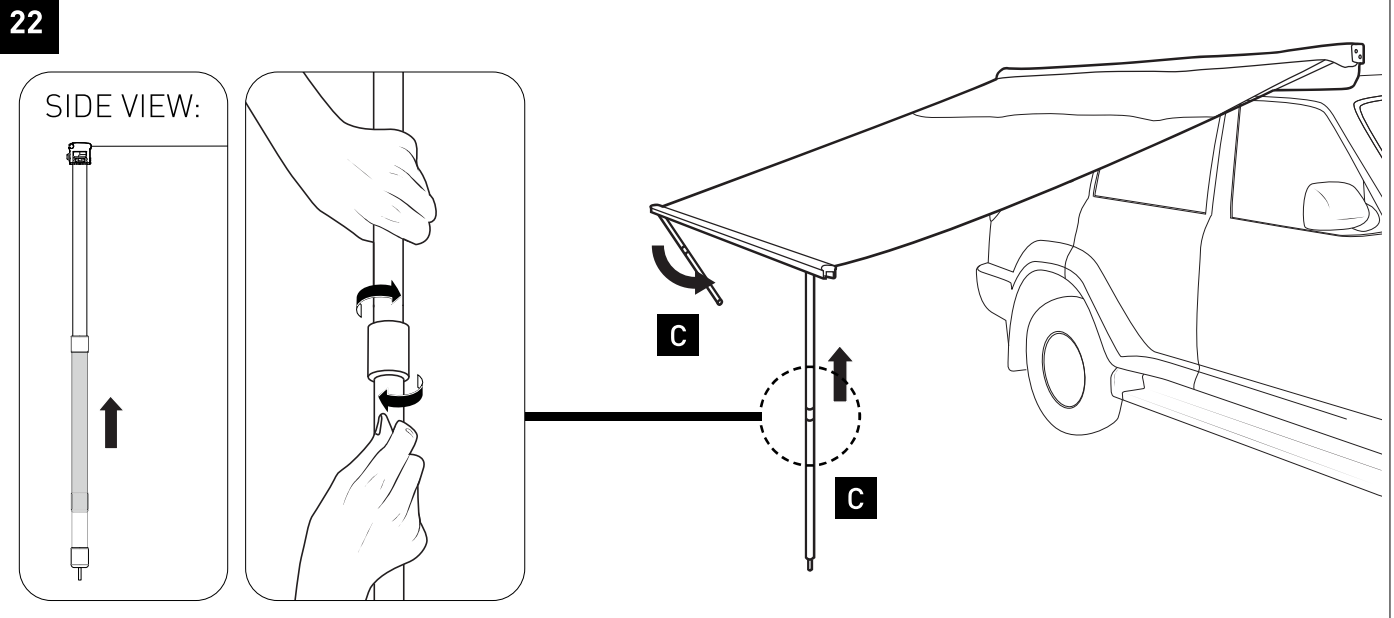
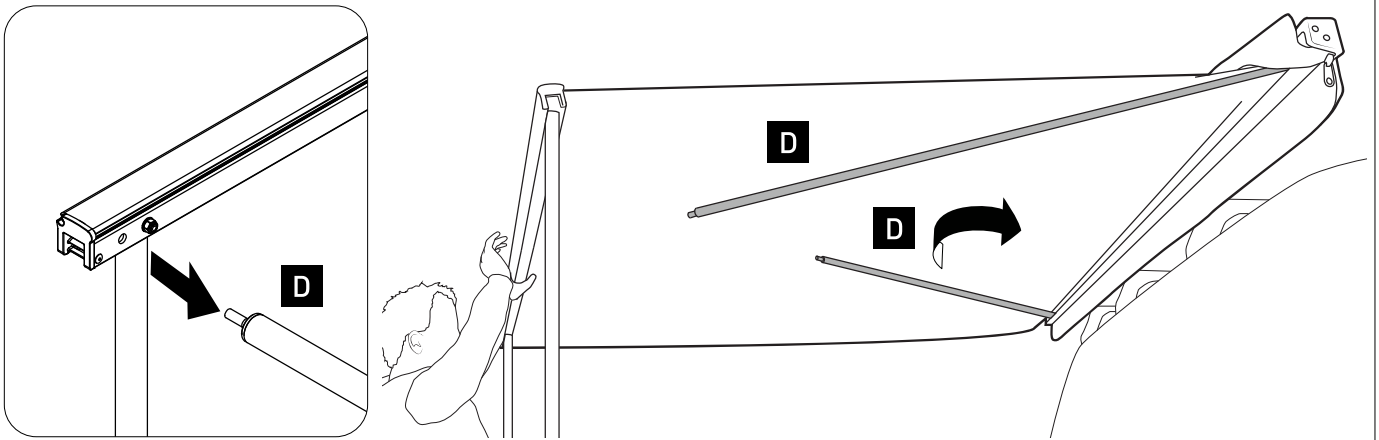
NOTE



STOWAGE INSTRUCTIONS

(Completion of Steps **16** - **20** in REVERSE order. Use below steps for reference)

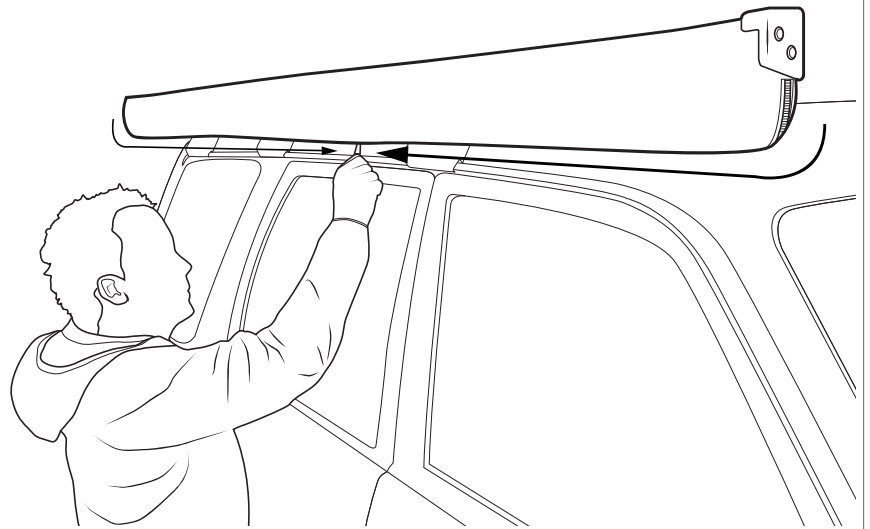
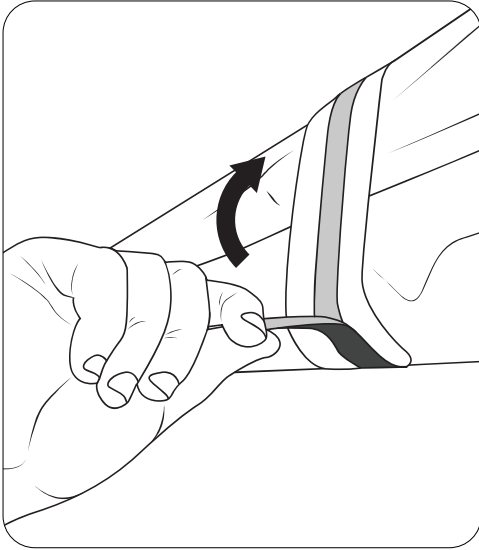
- 21** Undo the Hooks, Guy Ropes and Metal Pegs.
Undo the Velcro Straps and swing **D** Supports back toward the main body of the Awning.



24

NOTE

Metal pegs and Guy ropes should be stowed in the vehicle.



Operation Complete.



NOTES

NOTES



RHINO-RACK®

MAKE SPACE FOR ADVENTURE

RHINORACK.COM

Rhino-Rack AUSTRALIA

22A Hanson Place,
Eastern Creek, NSW 2766

Rhino-Rack USA

19822 E. 22nd Avenue,
Unit B, Aurora, CO 80011