



INSTALLATION INSTRUCTIONS

Product: B1 Body Lift™

Part Number: JKS9904

Applications: Wrangler TJ, 1997+

877-533-7557 • tech@jksmfg.com • www.jksmfg.com
491 W. Garfield Avenue, Coldwater, MI 49036

Welcome

Congratulations on purchasing a new B1 Body Lift from JKS® Manufacturing. We are committed to providing you with the best products available and your satisfaction is our first priority.

We hope you enjoy your JKS® purchase and are here to help if you still have questions after reviewing this safety information and instructions. Contact us online at www.jksmfg.com or by phone at 877-533-7557.

Tools Required

- Metric/Standard Socket Wrench Set
- Torque Wrench
- Tape Measure
- Medium Strength Threadlocker
- Spray Lubricant (WD-40 or similar)
- Hydraulic Floor Jack
- Sturdy Block of Wood (to protect body)
- Center Punch and Hammer
- 1/4" Drill Bit
- Reciprocating Saw or Die Grinder with Cut-Off Wheel (for trimming fan shroud)
- Factory Service Manual (recommended)

** Asterisk denotes tools that are not required for some applications. Thoroughly read instructions first to determine which tools will be required for your application.*

Parts



	Description	QTY
A	Dura-Thane® Body Puck	11
B	1/2" x 4-1/2" Bolt	6
C	1/2" Flat Washer	6
D	7/16" x 4" Bolt	5
E	7/16" Flat Washer	5
F	1/4" x 3/4" Bolt	2
G	1/4" x 1" Fender Washer	1
H	1/4" Nylock Nut	6
I	Pivot Bushing Drop Plate	1
J	Extended Radiator Bumper	2

Important Product Safety Information

For your safety and the safety of others, please read all instructions and warnings in this pamphlet and your Jeep® owner's manual and off road driving supplement before attempting installation. Within these instructions the following signal words refer to important product safety information:

WARNING

Indicates hazards or unsafe situations which could result in **severe personal injury or death**.

CAUTION

Indicates hazards or unsafe situations which could result in property damage or minor to moderate personal injury.

NOTICE

Careful attention is required to this operation that generally does not relate to personal injury, al-

To reduce risk of serious injury and accident:

- Choose modifications that balance your actual highway & off-road use.
- Avoid sharp turns, abrupt maneuvers or steep side-cambers.
- Avoid other maneuvering conditions which may cause the vehicle to trip, roll, lose traction or compromise your ability to safely brake in an emergency.
- Routinely inspect your vehicle components for unusual wear or off-road damage. Repair or Replace any unserviceable components before use.
- Do not modify or combine body lifts with other mechanical lifts contrary to manufacturers' or Jeep® recommendations & warnings.
- Acquaint any other drivers with your vehicle modifications and handling.
- Always wear seat belts and/or appropriate off-road restraints, reduce your speed, Tread Lightly®.

NOTICE

One Side At A Time

Body lift must be installed on one side of vehicle at a time.

Motor Lift Recommended

Installation of JKS Motor Lift in conjunction with B1 Body Lift is recommended. This will make steps 2, 6 and 7 unnecessary.

Install body lift first if installing motor mount lift and body lift at the same time.

WARNING

Higher Rollover Risk



Modifying your Jeep® to improve off-road performance may result in vehicle handling different than as factory equipped, including increased ride-height and/or chassis articulation; reduced lateral stability and higher risk of roll-over or other accident. Also, owner's choice of larger tire and wheel combinations may require additional braking force or increased stopping distances.

Installation

❑ 1. REMOVE FAN AND SHROUD

- Remove the four bolts holding the fan shroud to the radiator.
- Remove the four nuts holding the fan to the water pump pulley.
- Remove fan shroud and fan from vehicle.

❑ 2. REMOVE T-CASE LINKAGE BRACKET

- Pull carpet away from floor pan on driver side of vehicle to expose the four bolts holding the transfer case shift linkage bracket.

- Remove the four mounting bolts from transfer case shift linkage bracket, and remove the linkage rod from attached pivot bushing beneath the vehicle.
- Remove the transfer case shift linkage bracket.

NOTICE: Mark bracket to indicate correct position for re-installation.

□ 3. LOOSEN BODY MOUNTS

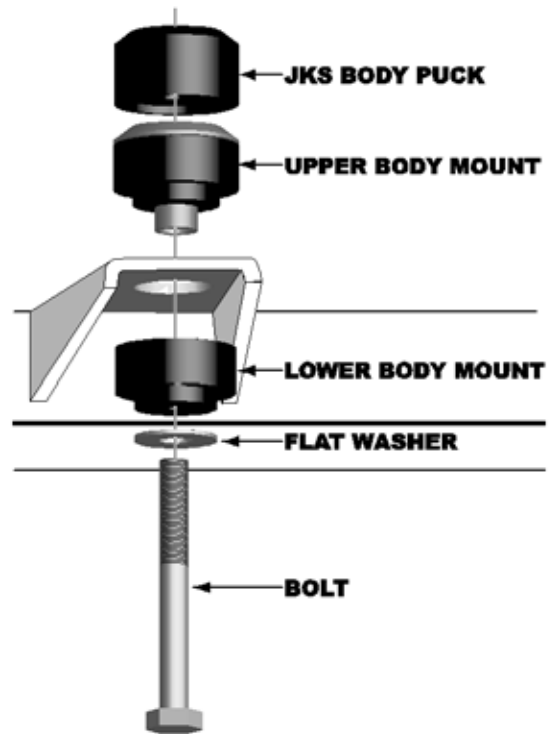
- Locate all eleven body mount bolts on vehicle. Refer to the BODY MOUNT LOCATION DIAGRAM for assistance.
- Loosen each body mount bolt, but DO NOT REMOVE until instructed.
- Remove the bolt from body mount ① located beneath the grill.
- Remove the bolts from body mounts ② ③ ④ ⑤ and ⑥ on DRIVER SIDE of vehicle only.

NOTICE: Body mount ⑤ is located between fuel tank and upper rear shock mount.

□ 4. INSERT BODY PUCKS

- Position a hydraulic jack between body mounts ③ and ④ on DRIVER SIDE of vehicle.
- Place a sturdy wooden block between the hydraulic jack pad and channel portion of vehicle body for protection.
- Carefully raise the vehicle body just enough to insert the 1.25" Body Pucks (A) between body and factory body mounts ② ③ ④ ⑤ and ⑥.

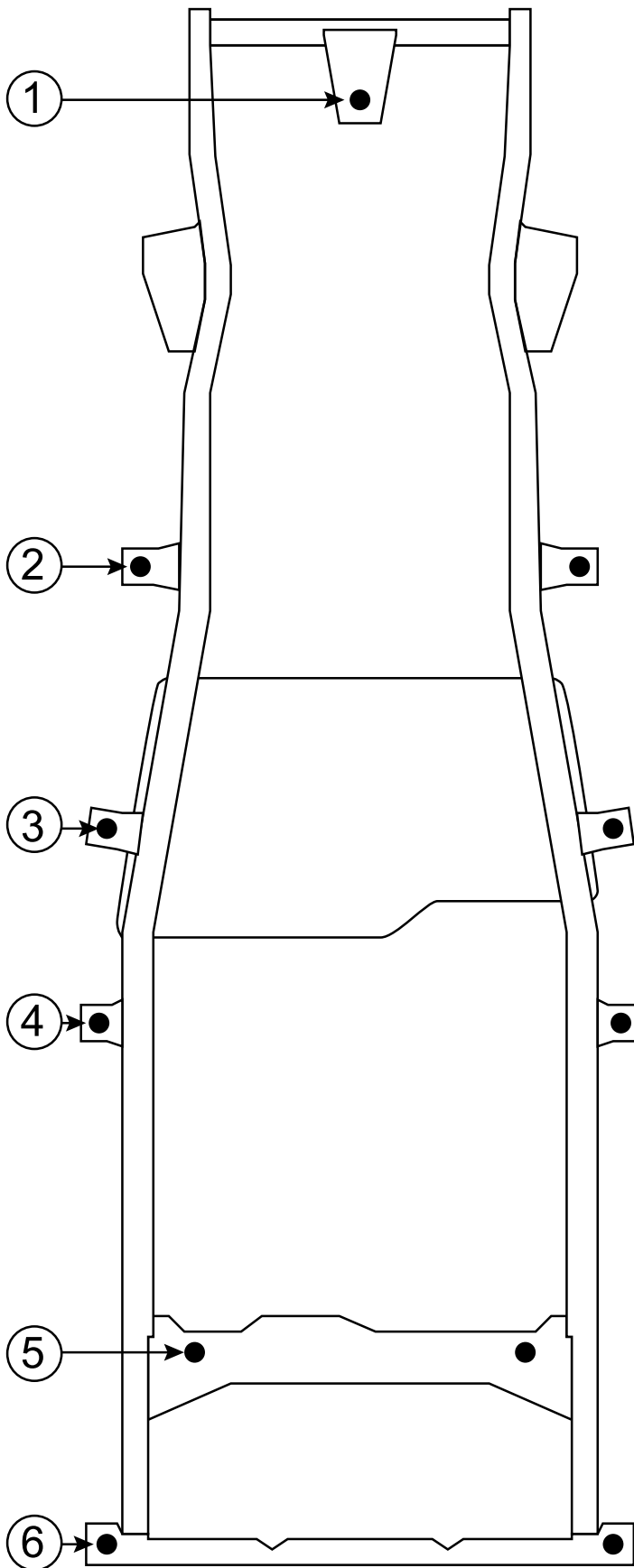
NOTICE: Position Body Pucks as pictured, with recessed bottom encapsulating the factory body mount.



- With Body Pucks (A) inserted, slowly lower the vehicle body onto mounts, ensuring correct alignment of body on chassis.
- Apply medium strength thread locking compound to three of the supplied 1/2" x 4-1/2" Bolts (B) and two of the 7/16" x 4" Bolts (D).
- First insert the 7/16" x 4" Bolts (D) with 7/16" Flat Washers (E) into body mount positions ⑤ and ⑥. Next insert the 1/2" x 4-1/2" Bolts (B) with 1/2" Flat Washers (C) into body mount positions ② ③ and ④. Start threads but DO NOT TIGHTEN bolts until instructed.
- Repeat this procedure with body mounts ② ③ ④ ⑤ and ⑥ on the PASSENGER SIDE of vehicle.
- Insert the last remaining Body Puck (A) at body mount ① located beneath the grill.
- Apply medium strength thread locking compound to the last remaining 7/16" x 4" Bolt (D) and insert with a 7/16" Flat Washer (E) into body mount position ①.
- Using a torque wrench, tighten all 1/2" and 7/16" Bolts (B & D) to 30-35 ft-lbs.

NOTICE: Use care when tightening bolts to avoid crushing factory rubber body mounts.

BODY MOUNT LOCATION DIAGRAM



□ 5. MODIFY RADIATOR

- Locate the four fan shroud mounting holes on the radiator.
- Measure exactly 1" below the factory mounting holes and mark the location with a center punch.

NOTICE: *The lower passenger side hole will line up with an existing factory hole and will not require marking with a center punch.*

- Drill a new 1/4" hole through the three center punched marks.

□ 6. MODIFY FAN SHROUD

It will be necessary to trim the fan shroud to clear the lower radiator hose before mounting.

- Test fit the fan shroud to the radiator by aligning with the new mounting holes.

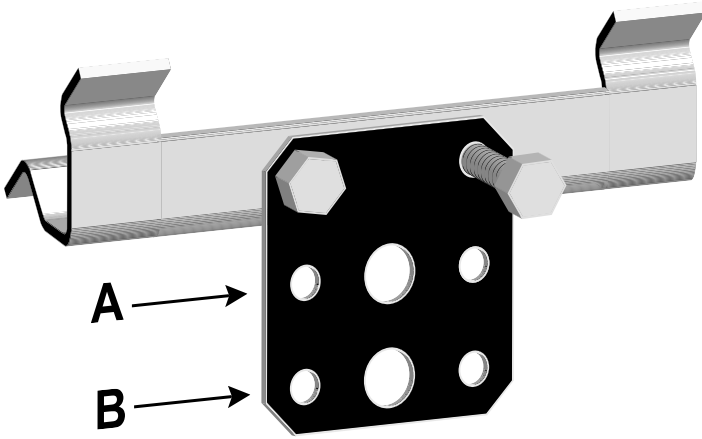
Mark the location where the lower radiator hose interferes with the fan shroud.

- Trim the fan shroud until it completely clears the radiator hose when mounted to the radiator.
- Check for interference between the fan shroud and fan blades, or any other objects, and trim the fan shroud accordingly.
- Re-install the fan using the original hardware, and mount the fan shroud to the new mounting holes in radiator.
- Secure the fan shroud to the radiator with four of the 1/4" Nylock Nuts (H) provided. Use the supplied 1/4" x 1" Fender Washer (G) at the existing lower passenger side hole in radiator.

□ 7. MODIFY T-CASE SHIFT LINKAGE

It will now be necessary to modify the transfer case shift linkage bracket that you removed in step 2.

- Remove the pivot bushing from shift linkage bracket by removing the two mounting bolts.
- Install the supplied Pivot Bushing Drop Plate (I) to the shift linkage bracket using the original pivot bushing mounting bolts as shown.



- Install the pivot bushing onto the Drop Plate (I) using the supplied 1/4" x 3/4" Bolts (F) and remaining two 1/4" Nylock Nuts (H). Refer to the list below for the correct mounting holes to use for your application.

Motor Mount Lift Kit?	T-Case Lowering Kit?	
No	Yes	Use Hole "B"
Yes	Yes	Use Hole "A"
No	No	Use Hole "A"
Yes	No	Do Not Use Drop Plate

- Slide the linkage rod through relocated pivot bushing and re-install shift linkage bracket to floor pan using the original mounting hardware.
- Check operation of the shift lever to ensure the transfer case fully engages all ranges.

NOTICE: If necessary, adjust linkage between shift lever and bell crank. If interference is experienced, it may be necessary to trim the floor to provide sufficient clearance.

□ 8. REPLACE RADIATOR BUMPERS

- Remove the factory rubber bumpers from the underside of the grill panel.
- Apply a spray lubricant to the supplied Extended Radiator Bumpers (J). Insert into original mounting holes and use a twisting motion to install.



NOTICE: If the factory inverted U-bracket pictured above restricts radiator bumper installation, it must be removed. Remove bracket by cutting from chassis using a suitable cutting tool.

□ 9. POST-INSTALLATION

- Check all mounting hardware to ensure it has been correctly installed and tightened to factory torque specifications.
- Check torque specifications for all mounting hardware after driving vehicle 50 miles, and after first time off-road.

Maintenance

Check all torque specifications as part of regular vehicle maintenance schedule.

After break-in period, Quicker Disconnects should be lubricated regularly as part of vehicle maintenance schedule.

Regular cleaning with pressurized water is recommended to maximize ease of operation and reliability. Always lubricate afterwards to evacuate any moisture.

©2013 JKS Manufacturing, Inc & Aftermarketing, LLC
Revision Date 3/15/2013