



OMIX-ADA, Inc.

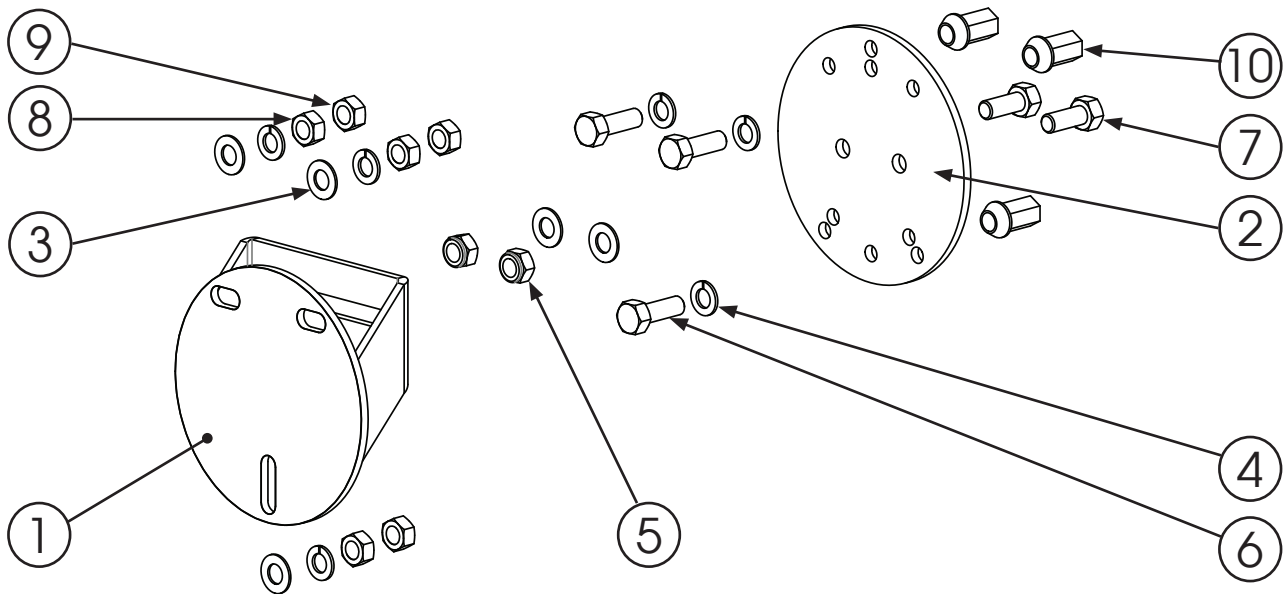
11585.02

460 HORIZON DR. SUITE 400 | SUWANEE, GA 30024 | PHONE: 770-614-6101 | FAX: 770-614-6069 | info@omix-ada.com

Spare Tire Spacer

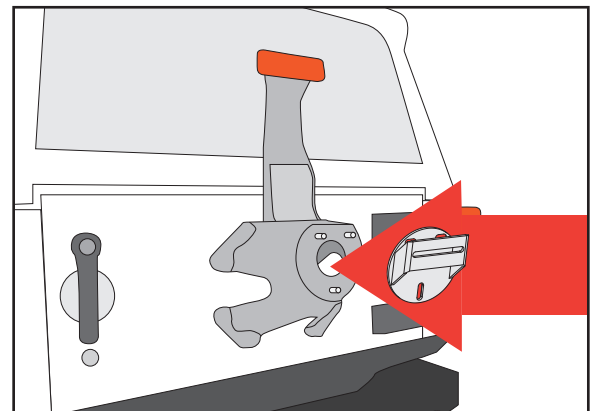
Components:

- | | | | |
|--------------------|-----|-----------------------------|-----|
| 1. Body Mount | (1) | 6. M12 x 1.25 x 35 Hex Bolt | (3) |
| 2. Wheel Mount | (1) | 7. M12 x 1 x 30 Hex Bolt | (2) |
| 3. Flat Washer | (5) | 8. M12 Hex Nuts | (3) |
| 4. Lock Washer | (6) | 9. 1/2-20 Hex Nuts | (3) |
| 5. Locking Hex Nut | (2) | 10. M12 x 1.25 Lug Nuts | (3) |



1. Remove spare tire. Install Body Mount using Flat Washers and Lock Washers. Depending on factory stud sizes use either M12 Hex Nuts, or 1/2" Hex Nuts to attach Body Mount to vehicle.

NOTE: M12 Nuts will install on on 1/2 factory stud, but will NOT be secure. 1/2" Nuts will NOT install on M12 factory stud.



Read all instructions thoroughly before installation.

OMIX-ADA® TECHNICAL SUPPORT

PHONE: M-F 8am - 5pm EST 1-800-449-6649 | **EMAIL:** techsupport@omix-ada.com

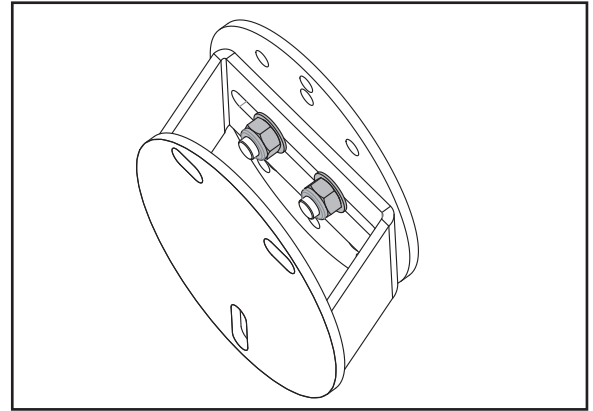
FOR WARRANTY INFORMATION VISIT: www.Omix-Ada.com



460 HORIZON DR. SUITE 400 | SUWANEE, GA 30024 | PHONE: 770-614-6101 | FAX: 770-614-6069 | info@omix-ada.com

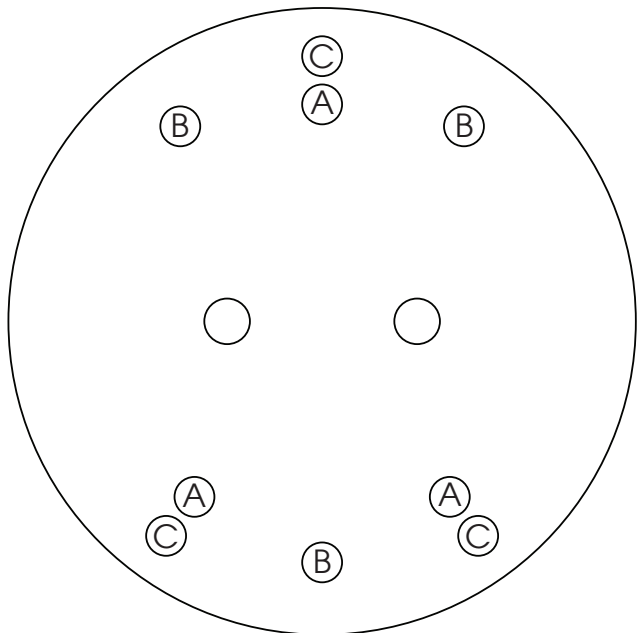
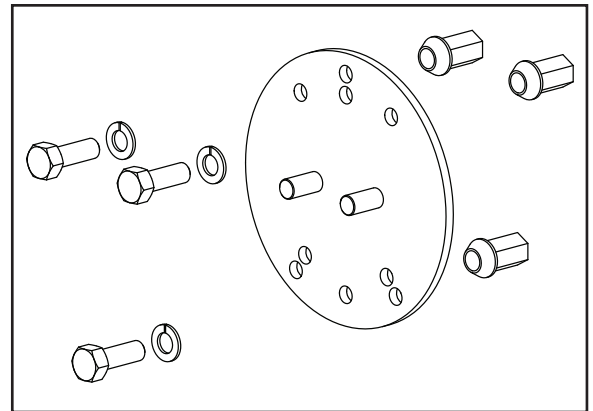
Spare Tire Spacer

2. Attach Wheel Mount to Body Mount using M12 x 30 Hex Bolts, Flat Washers, and M12 Lock Nuts. Mount is slotted to allow side-to-side adjustment. Set side-to-side position and tighten Lock Nuts.



3. Use diagram below to determine proper bolt pattern for your vehicle. Install M12 x 35 Hex Bolts and Lock Washers into your bolt pattern.

4. Install spare tire onto bolts using provided Lug Nuts. Tighten Lug Nuts to secure spare tire.



Bolt Pattern
 5" x 4.5"
 5" x 5"
 5" x 5.5"

Holes to use
 A
 B
 C



Make sure all bolts and nuts are fastened tightly.