





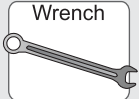



Installation Instructions

HOSS™ Hardtop Organized Storage System

Application:

- 2007 - Current Jeep Wrangler, Wrangler Unlimited 2 and 4 Door Hard Top and Doors Storage System
Part Number: 42805

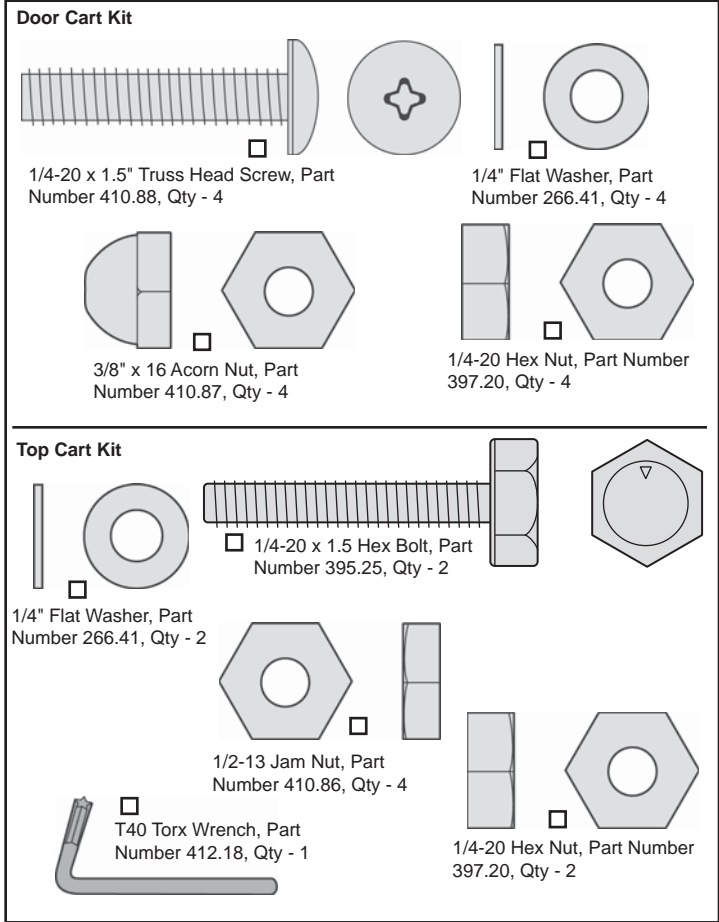
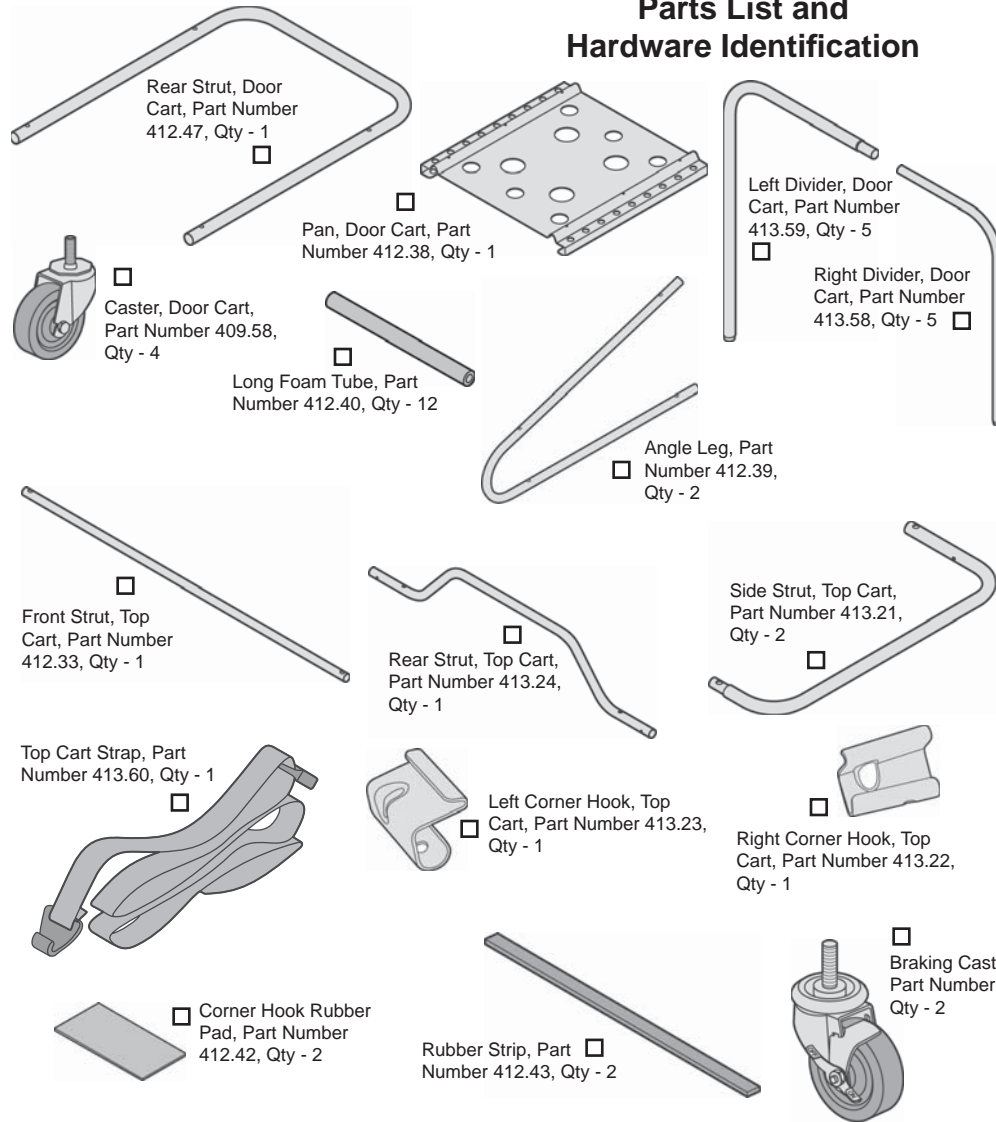
www.Bestop.com - We're here to help! Visit our web site and click on ["Ask a Question"](#). Click here for more [Jeep Accessories by Bestop.](#)

INSTALLATION TIME	SKILL LEVEL		
 2 Hours	 2 - Moderately Easy		
TOOLS			
 Wrench 7/16", 3/4" and 9/16"	 Tape Measure	 Phillips Screwdriver	 Safety Glasses



HOSS™ Top Cart Installation Instructions

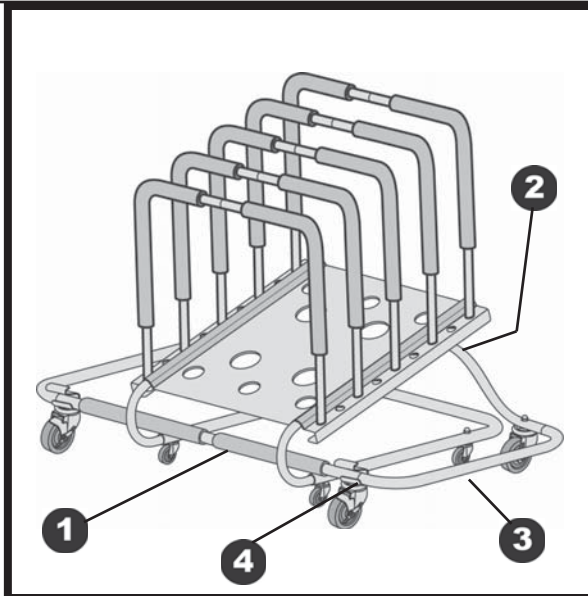
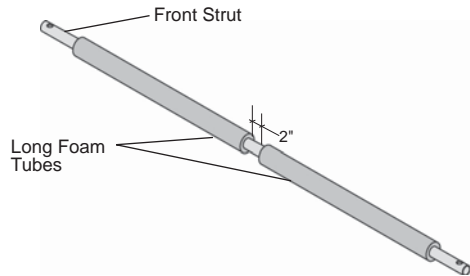
Parts List and Hardware Identification



HOSS™ Top Cart Installation Instructions

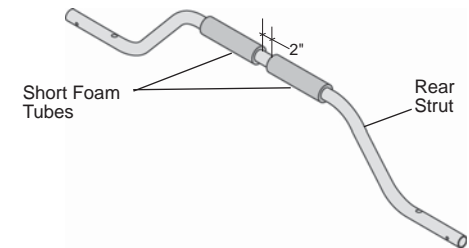
1 Install Long Foam Tubes on Front Strut - Top Cart

Locate the Top Cart Front Strut and two (2) of the Long Foam Tubes in the parts kit. Slide the sleeves over the strut and center them with a 2" space between them.



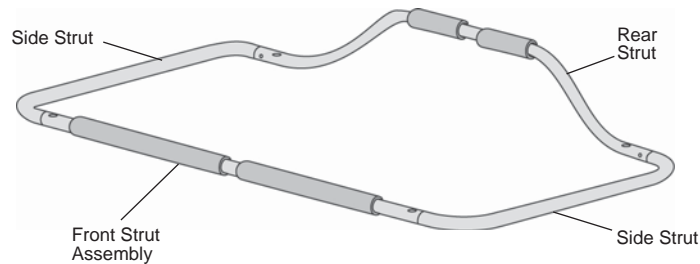
2 Install Short Foam Tubes on Rear Strut - Top Cart

Locate the Top Cart Rear Strut and the two Short Foam Tubes in the parts kit. Slide the sleeves onto the strut and center them with a 2" space between them.



3 Assemble Top Cart Struts

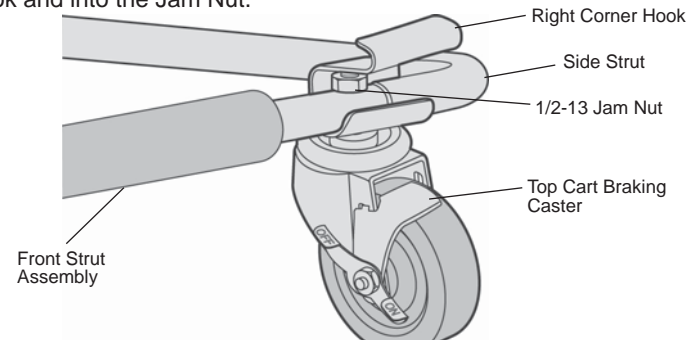
Orient the Front, Rear and Side Struts to each other. Slide them together and line up all the holes.



2007 – 2010 Models

4 Secure Front and Right Side Strut - Top Cart

Slide the Right Corner Hook onto the Front Strut. Place a 1/2-13 Jam Nut over the hole in the Front Strut. Install a Top Cart Braking Caster through both struts, the hook and into the Jam Nut.

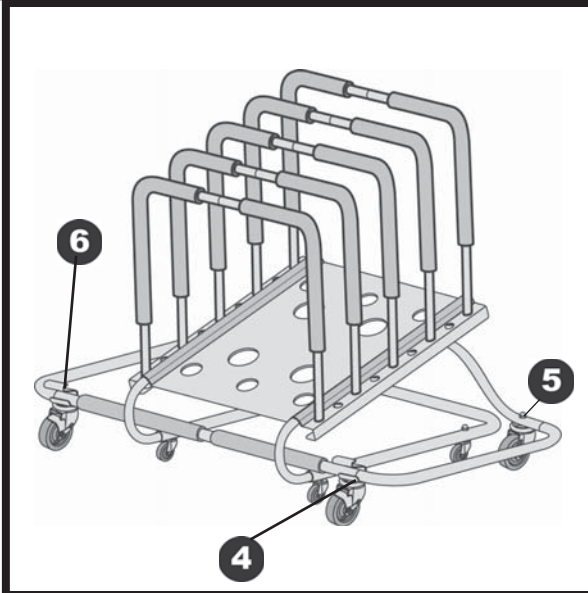
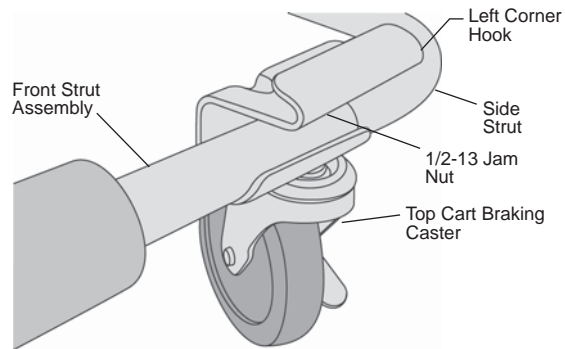


HOSS™ Top Cart Installation Instructions

2011 – Current Models

4 Secure Front and Right Side Strut - Top Cart

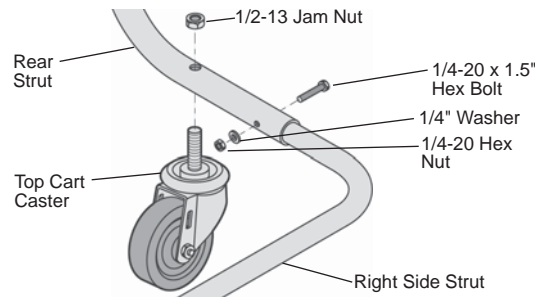
Slide the Left Corner Hook onto the Front Strut. Place a 1/2-13 Jam Nut over the hole in the Front Strut. Install a Top Cart Braking Caster through both struts, the hook and into the Jam Nut.



5 Secure Rear Strut to Top Cart Assembly

Place a Top Cart Caster without a brake through the larger holes where the Side and Rear Struts join and secure it with a 1/2-13 Jam Nut. Then install a 1/4-20 x 1.5" Hex Bolt, a 1/4" Washer and a 1/4-20 Hex Nut.

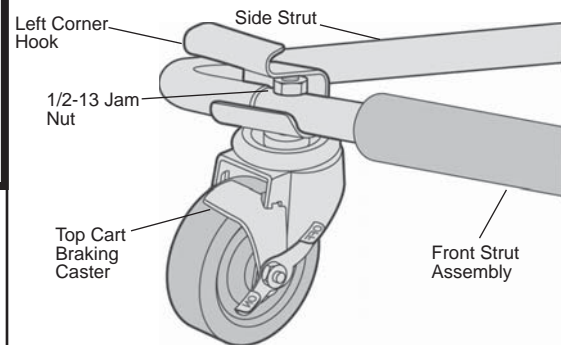
Repeat this procedure with the other Side Strut / Rear Strut Assembly.



2007 – 2010 Models

6 Install Left Front Braking Caster and Corner Hook - Top Cart

Slide the Left Corner Hook onto the Front Strut. Slide the end of the Left Side Strut into the end of the Front Strut Assembly. Place a 1/2-13 Jam Nut over the hole in the Front Strut. Install a Top Cart Braking Caster through both struts, the hook and into the Jam Nut. Securely tighten all hardware.

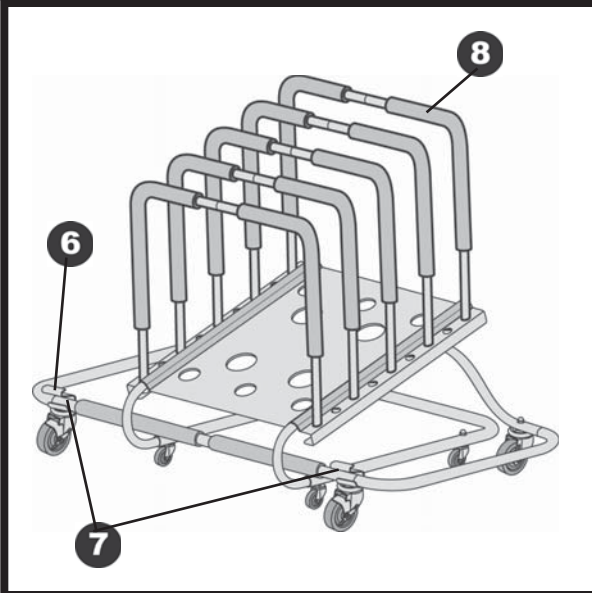
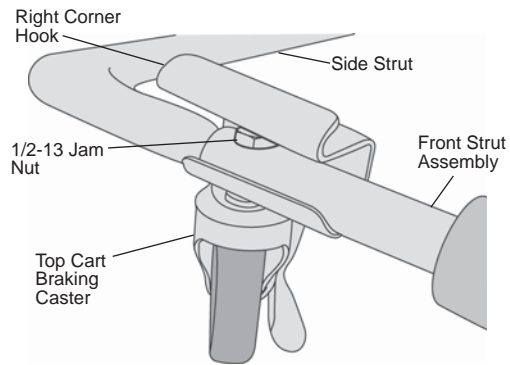


HOSS™ Top Cart Installation Instructions

2011 – Current Models

6 Install Right Front Braking Caster and Corner Hook - Top Cart

Slide the Right Corner Hook onto the Front Strut. Slide the end of the Left Side Strut into the end of the Front Strut Assembly. Place a 1/2-13 Jam Nut over the hole in the Front Strut. Install a Top Cart Braking Caster through both struts, the hook and into the Jam Nut. Securely tighten all hardware.

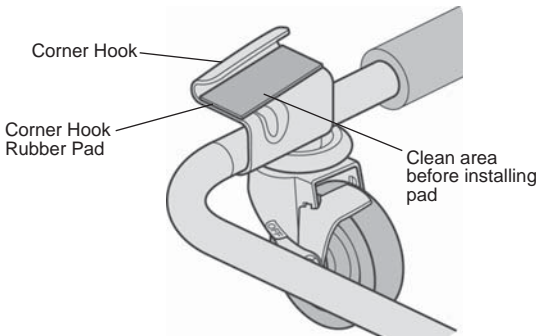
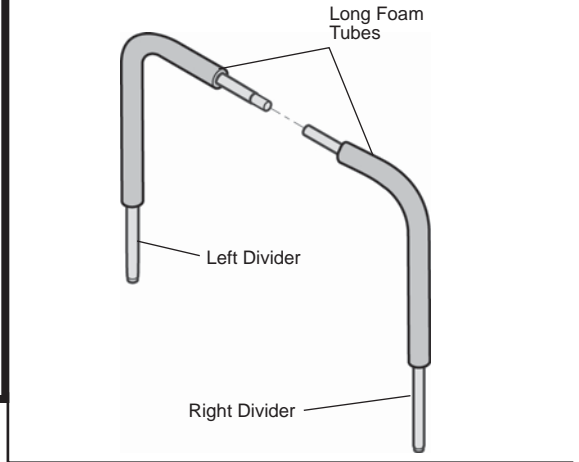


7 Install Corner Hook Rubber Pads - Top Cart

Locate the Corner Hook Rubber Pads in the parts kit. Clean the flat area on the Corner Hooks. Orient the Corner Hook Rubber Pads to fit squarely on the Corner Hooks. Remove the backing from the pads and press them firmly onto the Corner Hooks.

8 Assemble Dividers - Door Cart

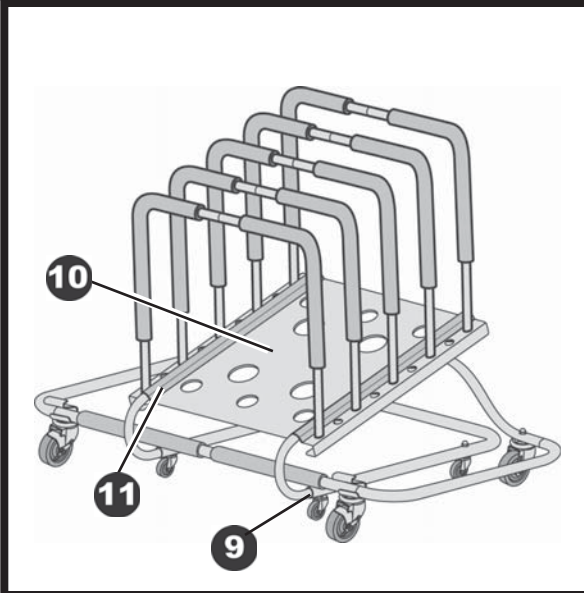
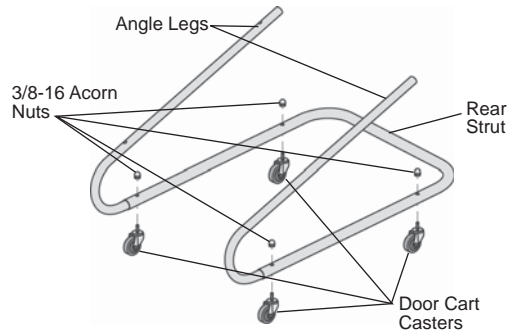
Slide a Long Foam Tube over one half of each pair of Dividers. Slide the sleeve up and around the bend. Press the Divider halves together. Assemble five (5) Dividers.



HOSS™ Top Cart Installation Instructions

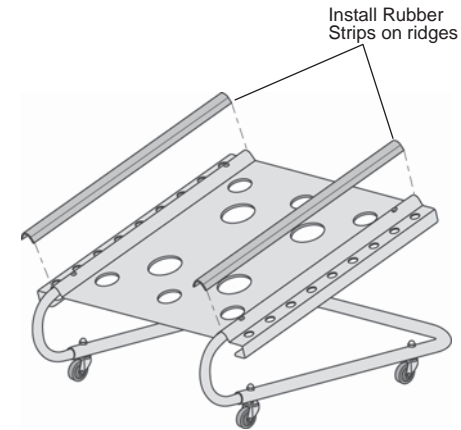
9 Install Angle Legs and Casters on Door Cart Rear Strut

Locate the Angle Legs and Rear Strut in the parts kit. Slide the Angle Legs into the ends of the Rear Strut and align the holes. Install a Door Cart Caster in each set of holes with a 3/8-16 Acorn Nut. Do not tighten the nuts at this time.



11 Install Rubber Strips

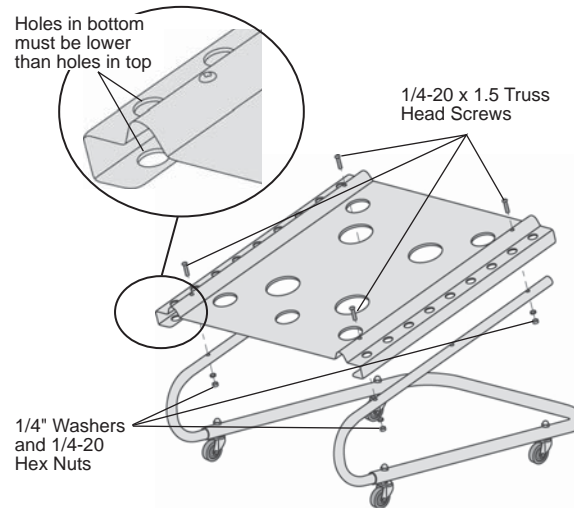
Orient the Rubber Strips along the top of the mounting ridges, over the heads of the Truss Head Screws. Center the strips from top to bottom on the pan. Peel the backing off the strips a little at a time and press them firmly into place.



10 Install Door Cart Pan

Orient the Door Cart Pan on the Door Cart Assembly so the holes in the lower ledge along the side of the pan are toward the bottom of the pan in relation to the holes in the top layer. Align the mounting holes in the pan with the mounting holes on the Angle Legs and install a 1/4-20 x 1.5 Truss Head Screw, 1/4" Washer and 1/4-20 Hex Nut in each hole.

Tighten the Truss Head Screws then tighten the Acorn Nuts that secure the Casters to the Door Cart.



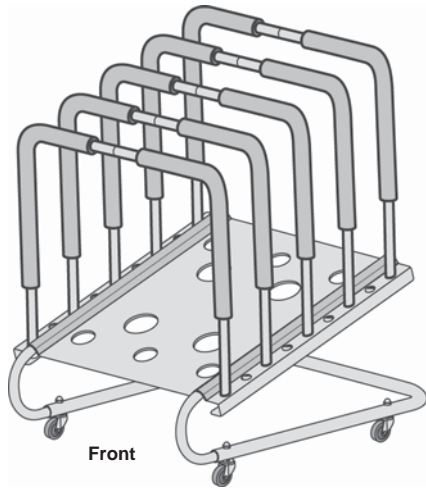
HOSS™ Top Cart Installation Instructions

! WARNING The maximum load for the Door Cart is 235 lbs.

12 Install Dividers in Door Cart

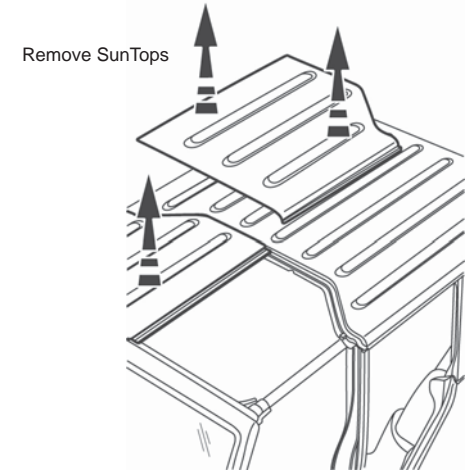
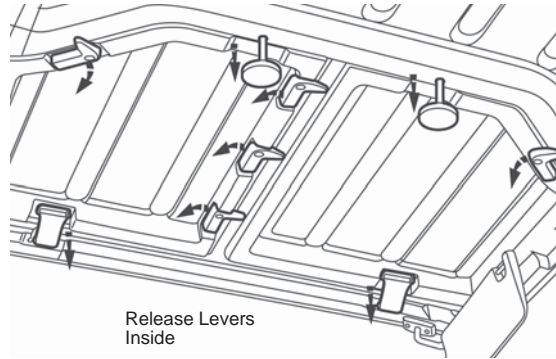
Insert the Dividers into the holes along the sides of the Cart Pan. The ends of the Dividers should fit securely into the mounting holes.

NOTE Store taller doors toward the back of the Door Cart with shorter doors toward the front.



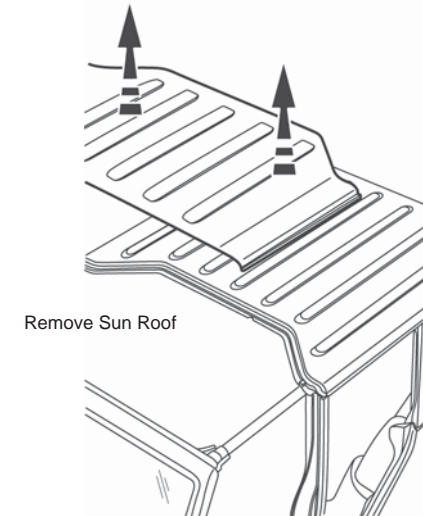
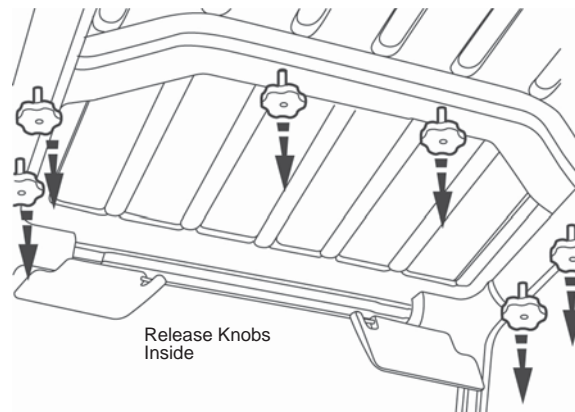
13 Removing your OEM Hardtop

Release the levers that secure the SunTops to the windshield. Release the knobs that secure the SunTops to the rear deck. Release the Levers. Remove the SunTops from the vehicle.



13 Removing your Bestop Hardtop

Release the knobs that secure the Sun Roof to the vehicle. Remove the Sun Roof.

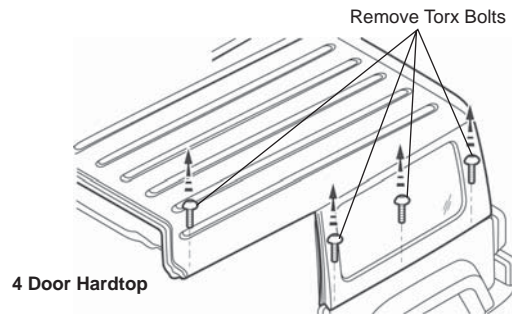
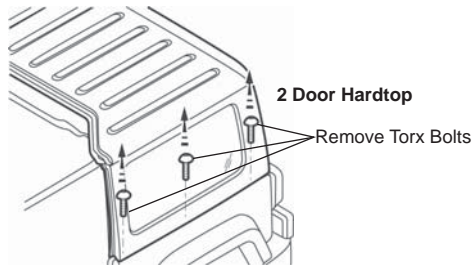


HOSS™ Top Cart Installation Instructions

14 Removing your Hardtop

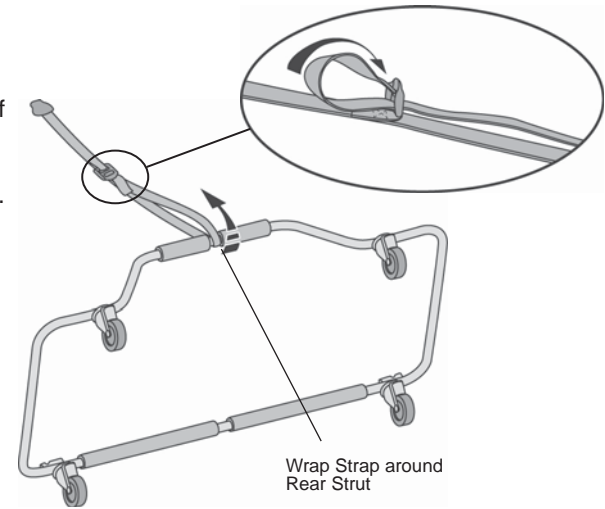
Use the T40 Torx Wrench to remove the six (6) Torx Bolts that secure the 2 Door Hardtop or the eight (8) Torx Bolts that secure the 4 Door Hardtop.

Carefully store the bolts to be used when reinstalling the top.



15 Install Strap on Top Cart

Orient the Top Cart Strap with the buckle facing the rear of the Top Cart. Wrap the straight end of the strap around the Rear Strut in the space between the two Foam sleeves. Pull it toward the buckle in the middle of the strap without twisting. Thread the end of the strap through the buckle.



CAUTION Four or more people are required to lift the hardtop safely.

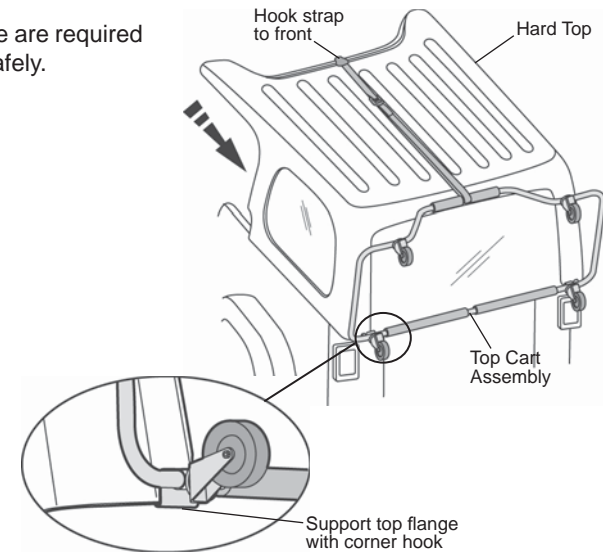
16 Removing your Hardtop

Slide the top back slightly, but leave on the vehicle.

Place the Top Cart against the rear of the top with the Rear Tube toward the top.

Position Right and Left Corner Hooks on the cart under the rear flange of the hardtop for maximum support.

Hook the strap to the front of the hardtop. Pull the strap as tight as possible.



HOSS™ Top Cart Installation Instructions

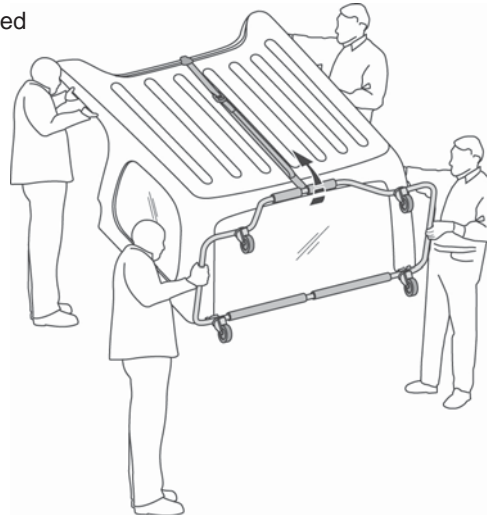


CAUTION

Four or more people are required to lift the hardtop safely.

17 Removing your Hardtop

Use the Side Struts as handles to lift the hardtop and Top Cart off the vehicle and move toward the rear. Slowly place the top in its normal position down on the ground next to the vehicle. Recheck that the strap is secure.



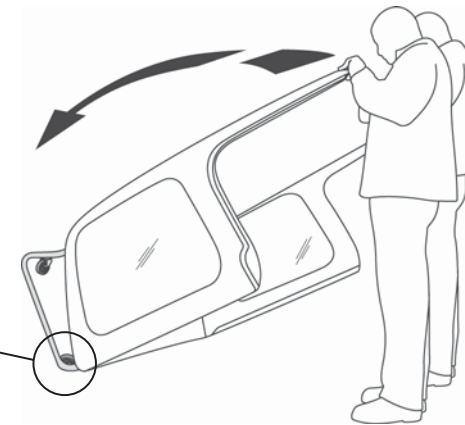
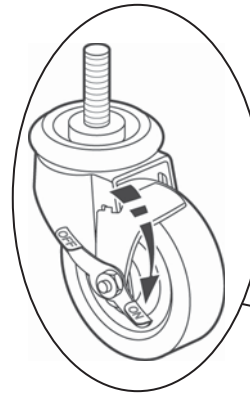
CAUTION

Two or more people are required to lift the hardtop safely.

DO NOT allow the hardtop to rock backwards while lifting.

18 Removing your Hardtop

Lock the Front Brake Casters. Slowly lift the front of the hardtop until it is completely resting on the Top Cart Casters. Do not allow the hardtop to rock backwards as it approaches the full upright position.



Lock Front Brake Casters

HOSS™ Top Cart Installation Instructions

19 Storing your Hardtop

Release the Front Brake Casters and roll the hardtop/cart assembly into position for storage. Once the cart is in this position, again lock the front casters.

Roll door cart into top cart and load with doors. Center the cart in the top.



Limited Warranty

We warrant our product to be free from defects in material and workmanship, for the terms specified below, provided there has been normal use and proper maintenance. This warranty applies to the original purchaser only. All remedies under this warranty are limited to the repair or replacement of any item or items found by the factory to be defective within the time period specified.

If you have a warranty claim, first you must call our factory at the number below for instructions. You must retain proof of purchase and submit a copy with any items returned for warranty work. Upon completion of warranty work, if any, we will return the repaired or replaced item or items to you freight prepaid. Damage to our products caused by accidents, fire, vandalism, negligence, misinstallation, misuse, Acts of God, or by defective parts not manufactured by us, is not covered under this warranty.

THE WARRANTY TIME PERIOD IS AS FOLLOWS: ALL "PRODUCTS" MANUFACTURED BY OUR COMPANY: ONE YEAR FROM DATE OF PURCHASE.

ANY IMPLIED WARRANTIES OF MERCHANTABILITY AND/OR FITNESS FOR A PARTICULAR PURPOSE CREATED HEREBY ARE LIMITED IN DURATION TO THE SAME DURATION AND SCOPE AS THE EXPRESS WRITTEN WARRANTY. OUR COMPANY SHALL NOT BE LIABLE FOR ANY INCIDENTAL OR CONSEQUENTIAL DAMAGE.

Some states do not allow limitations on how long an implied warranty lasts, or the exclusion or limitation of incidental or consequential damages, so the above limitations or exclusions may not apply to you.

This warranty gives you specific legal rights, and you may also have other rights which vary from state to state.



For further information or request for warranty work, please contact:
Bestop Inc. Customer Service
(800) 845-3567
(303) 465-1755