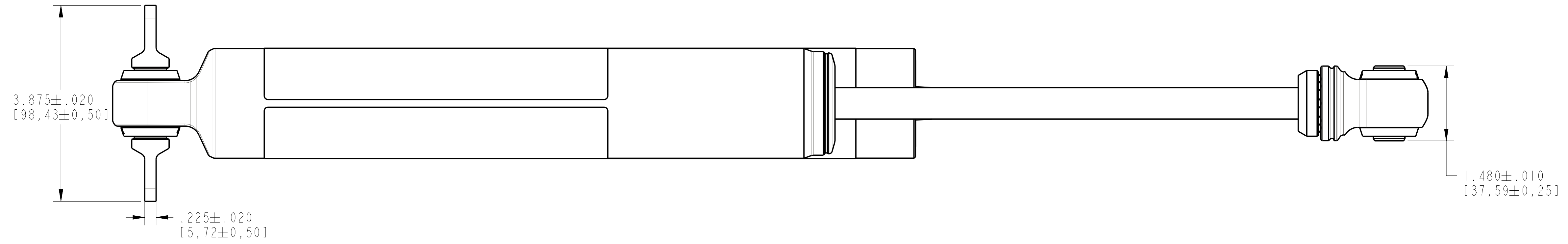
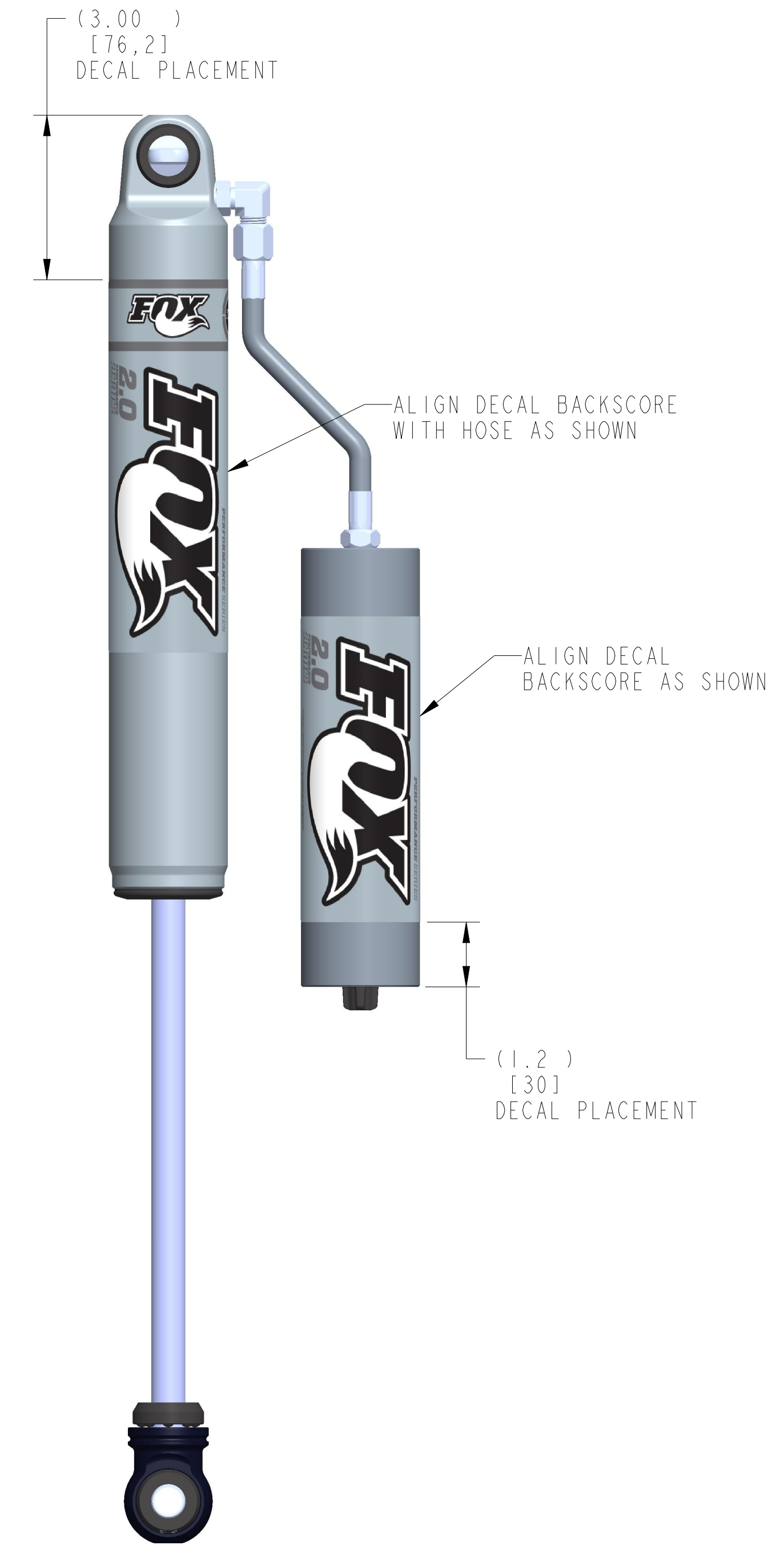
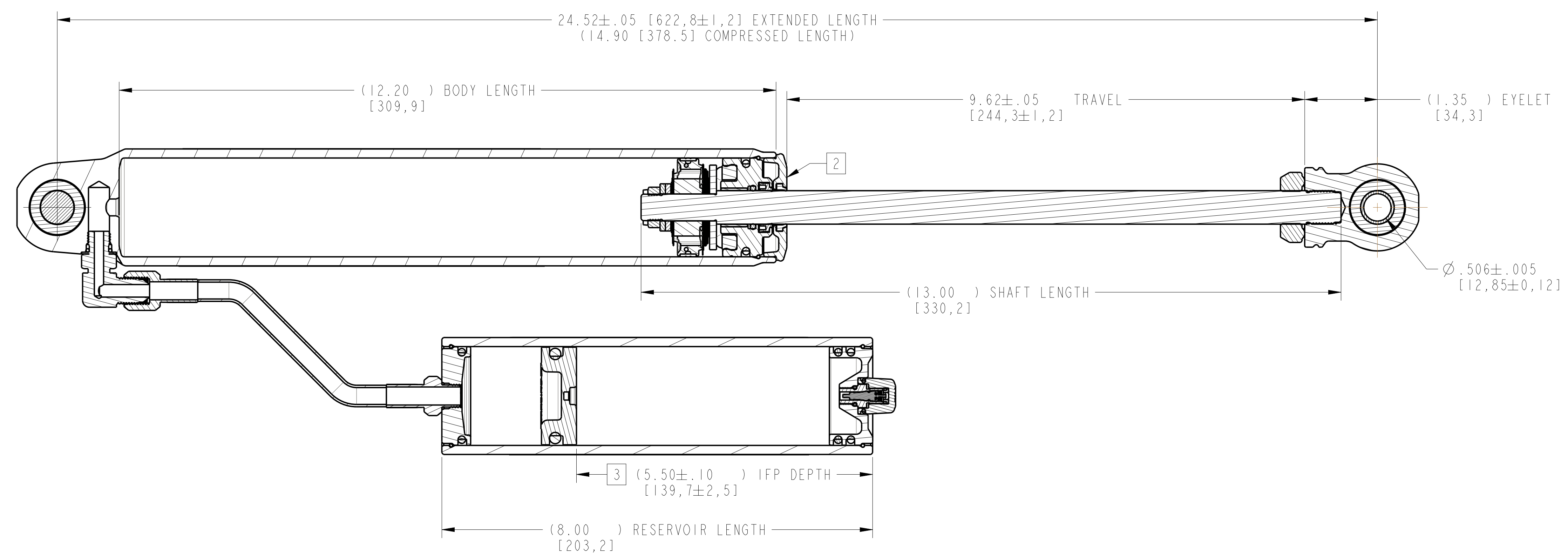


PROPRIETARY  
 THIS DOCUMENT CONTAINS CONFIDENTIAL, PROPRIETARY INFORMATION THAT IS FOX PROPERTY. DO NOT DISCLOSE TO OR DUPLICATE FOR OTHERS EXCEPT AS AUTHORIZED BY FOX.

REVISIONS				
ZONE	REV	DESCRIPTION	DATE	APPROVED
	A	PRODUCTION RELEASE	10/07/11	JC/CG
	B	CHANGED RESI MOUNTING HARDWARE	12/08/11	BS
	C	R/R END CAP ASSY WAS 813-00-055 NOW DBL ORING	5/17/12	MW
	D	CHANGED VALVING & UPDATED TITLE	4/04/13	BS
	E	CHANGED RESI. ADD CD PART NO.	1/23/14	BS
	F	ADD 024-04-031 STICKER	8/20/14	MD
	G	CHANGED LSC & MOVED SHAFT NUT TO VALVING ASSEMBLY	3/16/15	MD
	H	REPLACED ITEM 19 WAS 813-00-079	2/05/18	BS
	J	CHANGE BARPIN AND UPDATE DRAWING FORMAT	9/09/19	BS
	K	DRAWING REFORMATTED ADD 018-00-075 813-00-281 WAS 813-00-079 ADD 802-00-027	4/17/20	JS / VT



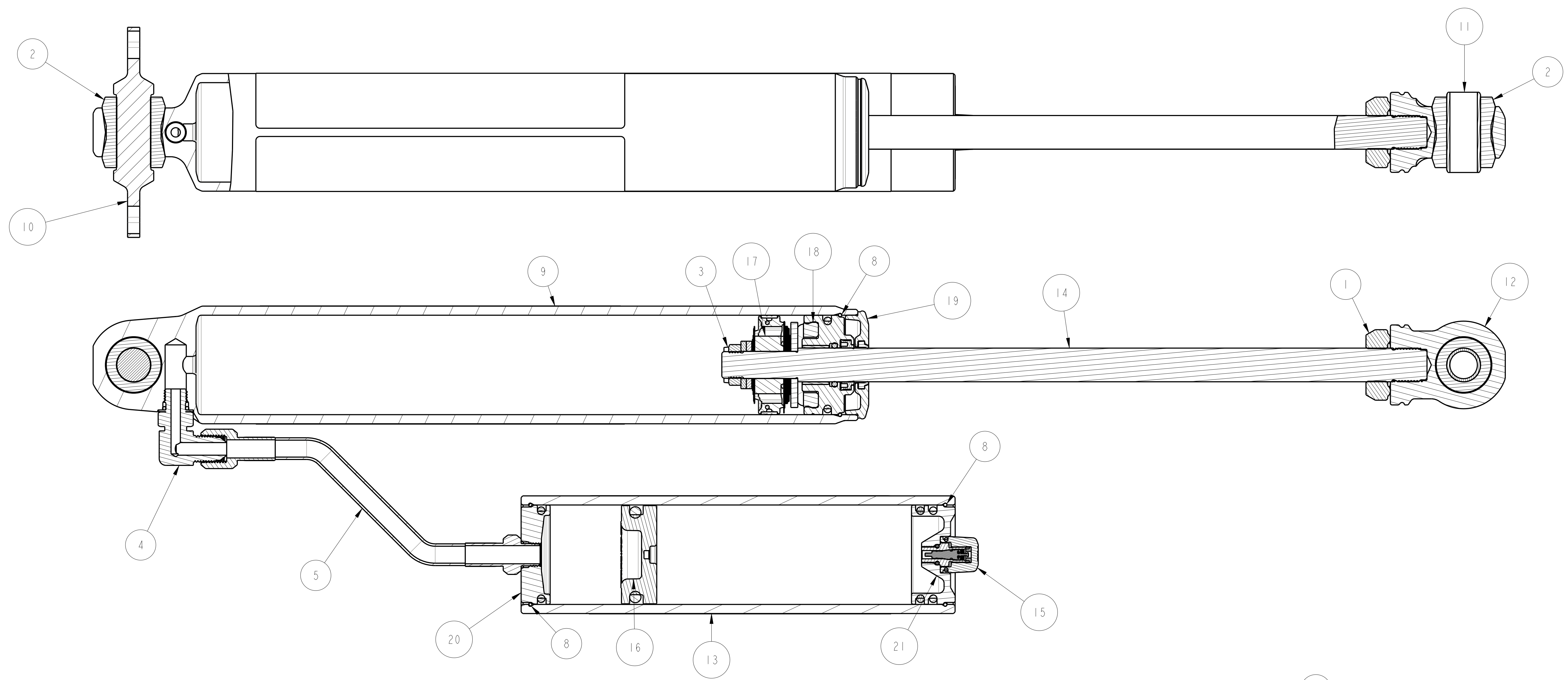
1.480±.010  
[37,59±0,25]



- NOTES:
- APPLICATION REFERENCE: JEEP JK REAR [07-ON] - 1.5-3.5" LIFT
  - BEARING MARKED WITH DATE CODE, FOX PART NUMBER AND WORK ORDER NUMBER.
  - IFP DEPTH DIMENSION IS AFTER FINAL ASSEMBLY.
  - NITROGEN CHARGE PRESSURE 195-205 PSI.
  - FOR CD ADJUSTER VERSION SEE 985-26-016.

UNLESS OTHERWISE SPECIFIED DIMENSIONS ARE IN: INCHES [MM]		PER ASME Y14.5-2009		<b>FOX FACTORY, INC.</b> <small>915 DISC DRIVE, SCOTTS VALLEY, CA 95066 USA, PH 831-274-6500</small>	
DEV PROJECT #:		APPROVALS	DATE	TITLE	
TOLERANCES ARE:		J. CLAUD	Jun-21-11	07-ON Jeep JK Rear,	
DECIMALS	ANGLES	P. COX	Jun-21-11	PS, 2.0, R/R, 9.6", 1.5-3.5" Lift	
.XX [X] ±.01 [0,25]	± °	ENG:	Jun-21-11	SIZE	DWG. NO.
.XXX [X] ±.005 [0,13]		J. BULLOCK	Jun-21-11	D	985-24-016
THIRD ANGLE PROJECTION		DC:		PLOT SCALE: DO NOT SCALE SHEET: 1 OF 2	

PROPRIETARY  
 THIS DOCUMENT CONTAINS CONFIDENTIAL, PROPRIETARY INFORMATION THAT IS FOX PROPERTY. DO NOT DISCLOSE TO OR DUPLICATE FOR OTHERS EXCEPT AS AUTHORIZED BY FOX.



ITEM	QTY	PART NUMBER	DESCRIPTION
1	1	008-01-000-A	Bumper: B/O [Ø 0.620 Shaft, 0.453 TLG] nitrile
2	2	014-11-003-A	Bushing: Eyelet, Hourglass [Ø 0.625 ID X 1.300 TLG] Polyurethane, 85A
3	1	018-00-075	Fastener, Standard: Nut, Lock [1/2-20 X 0.313 TLG] Zinc Plate
4	1	020-50-041	Fittings, Pipe and Hose: Adapter [7/16-20 O-Ring Boss X -5 Male AN 90°]
5	1	023-05-054-A	Hose: [-5, 7/16-20 O-Ring Boss X St Female -5 JIC, 5.625 TLG]
6	1	024-04-031	Decal: O/R, [6.8" X 6.8"] Fox 2.0 Performance Series Body Decal
7	1	024-04-039	Decal: O/R, [6.8" X 5.57"] Fox 2.0 Performance Series Body Decal, Remote Res
8	3	038-01-005-A	Retaining Ring: Wire [0.062 CS X 1.850 ID] 17-7 SS
9	1	207-44-122-1	Body: (T) [Ø 1.834 Bore, Ø1.010 Eyelet Bore, 12.200 Bore Depth] Hourglass, RR
10	1	213-01-539	Eyelet Parts: Bar Pin [3.875 TLG] Steel, Clear Zinc
11	1	213-27-002-B	Eyelet Parts: (T) Sleeve [Ø .506 ID X Ø .625 OD X 1.480 TLG] Steel, Clear Zinc
12	1	213-78-200	Eyelet Parts: (T) Eyelet [Ø 1.010 Bore X .950 W, 5/8-18 UNF, 1.350] Black Ano
13	1	227-44-080-1	Reservoir: (T) [Ø 1.834 Bore, Ø 2.170 OD, 8.000 TLG] Al 6061, Clear Ano II, Wir
14	1	229-60-130	Shaft: (T) [Ø 0.620 OD X 13.000 TLG] Steel, Chrome, Solid, 1.400 Post Length
15	1	802-00-027	Air Valve Assembly: Air Valve Cap, Float Gen II, Plastic, Black
16	1	805-00-049	Piston Assembly: Floating [Ø 1.834 Bore, 0.650 TLG] w/ Standard O-ring
17	1	807-20-001	Valving Assembly: 2.0 Performance Series, Tuned Combination 001
18	1	812-07-027	Bearing Assembly: [Ø 1.834 Bore, Ø 0.620 Shaft, 0.995 TLG]
19	1	812-11-019	Bearing Assembly: Bearing Cap Assembly [Ø 1.834 Bore, Ø 0.620 Shaft] Black Ano,
20	1	813-00-061	Reservoir End Cap Assembly: [Ø 1.834 Bore, 7/16-20 ] Black Ano
21	1	813-00-281	Reservoir End Cap Assembly: [Ø 1.834 Bore, 5/16-32] With Schrader Only

