

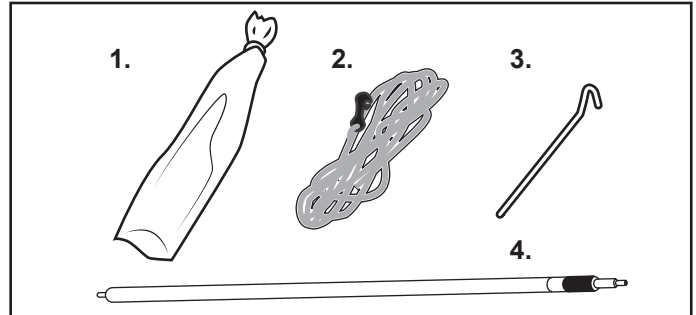


RHINO-RACK

Rhino-Rack Sunseeker II Base Tent Stand Alone Fitment (32124)

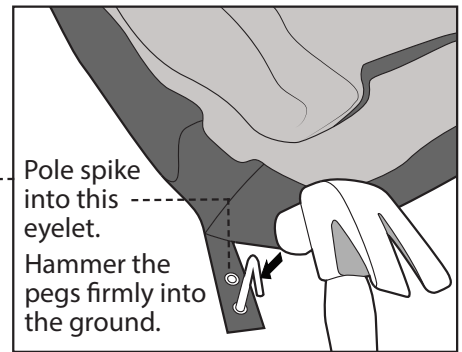
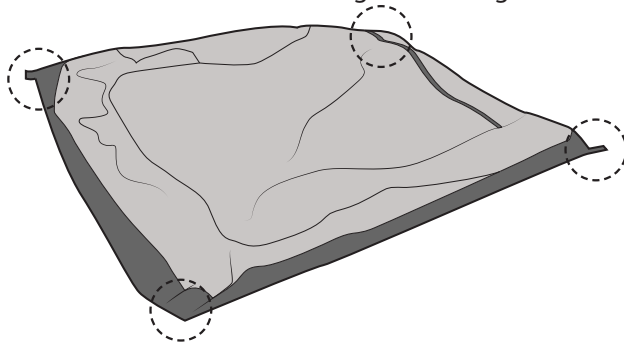
Item	Component Name	Qty	Part No.
1	Carry Bag	1	-
2	Guy Rope	8	C910
3	Metal Peg	2	C909
4	Telescopic Support Pole	4	-
5	Instructions	1	R662

Tools Required: Rubber Mallet or Hammer

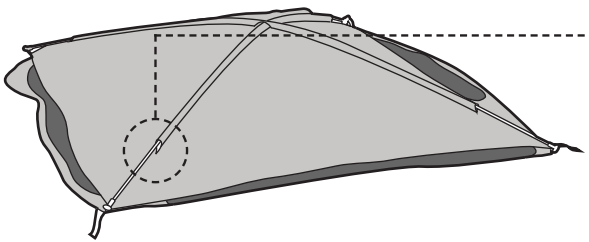


Instructions

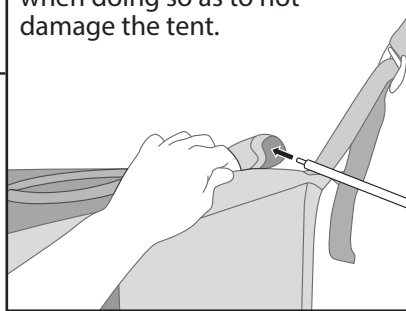
- 1** Fix the four corners of the Base Tent to the ground using the metal pegs.



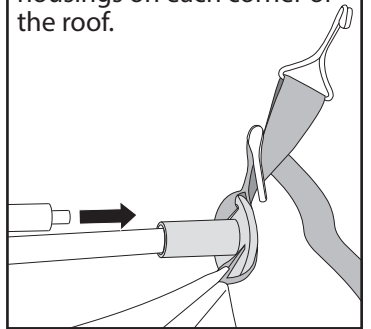
- 2** Insert the Upper Support Poles into the material tubes on the roof of the tent. **Note:** Support Poles included in Base Tent Kit.



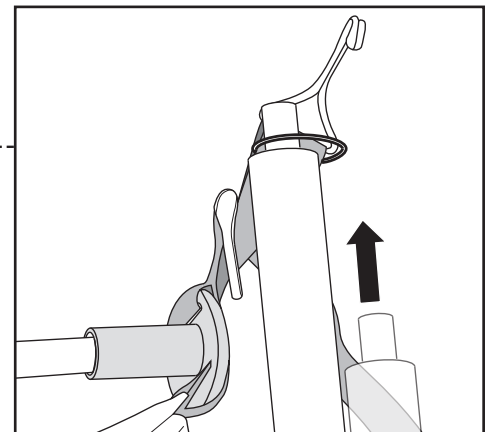
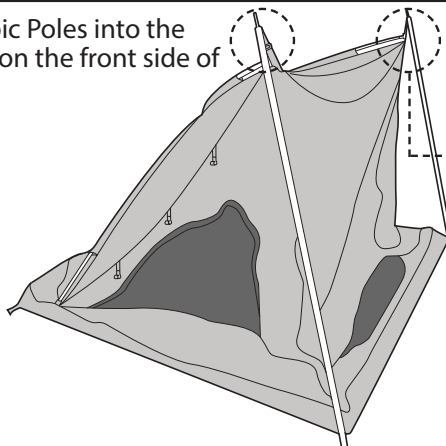
1: Slide the Base Tent roof supports through the material tubes. Use care when doing so as to not damage the tent.



2: Slide the Base Tent roof supports into the plastic housings on each corner of the roof.



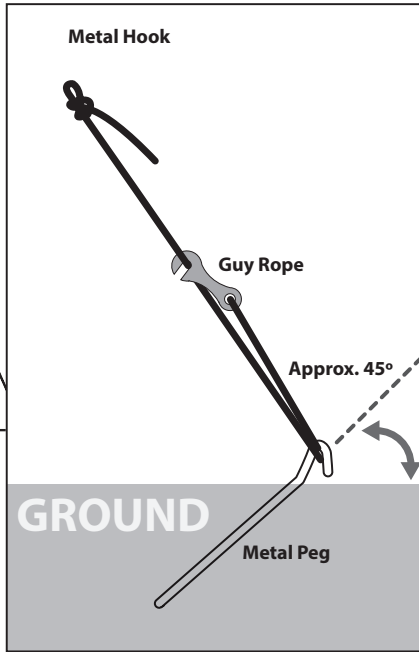
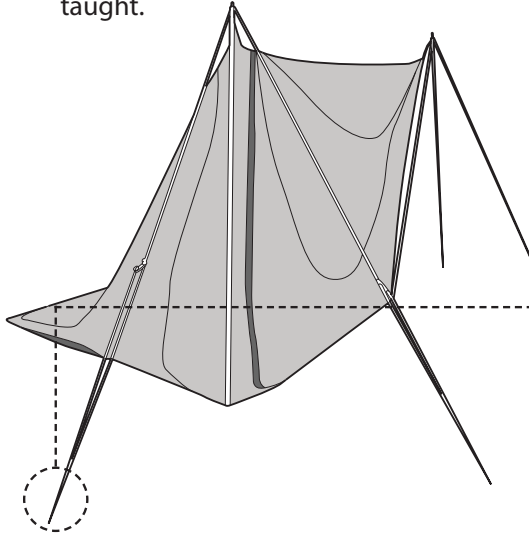
- 3** Insert the Telescopic Poles into the ring fixture points on the front side of the tent.



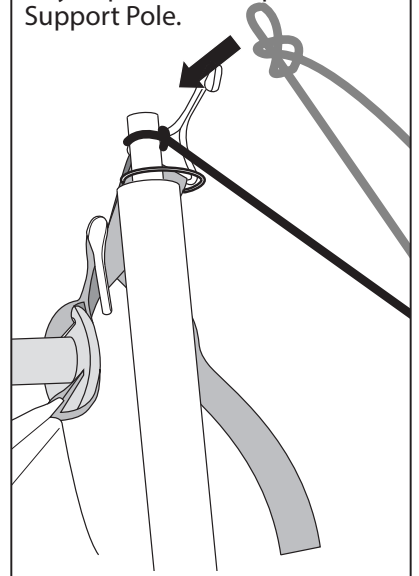


Rhino-Rack Sunseeker II Base Tent Stand Alone Fitment (32124)

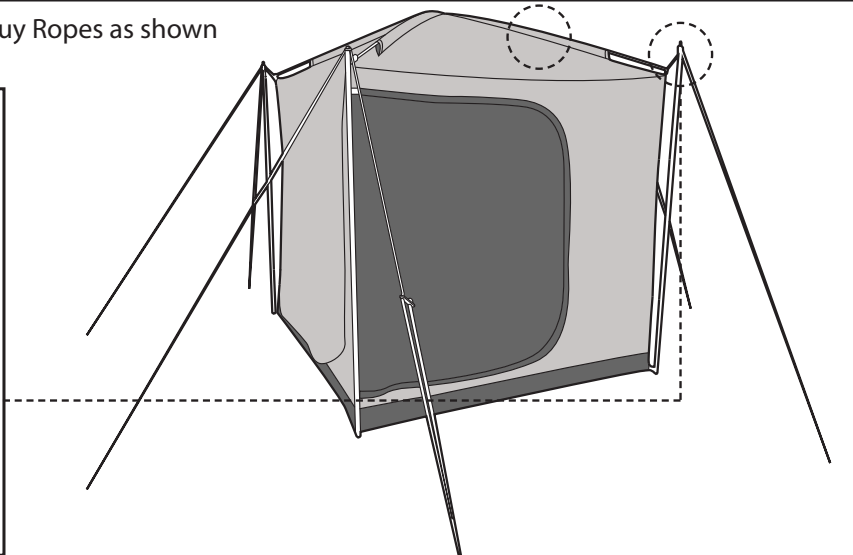
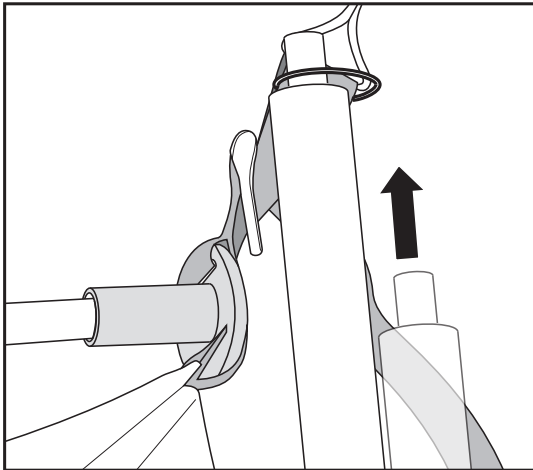
- 4** Using the metal pegs provided, fix four Guy Ropes to the ground. Now attach the ropes to the top of the support poles as shown. Be sure guy ropes are taut.



Slide the looped end of the Guy Rope over the tip of the Support Pole.



- 5** Install the final two Support Poles and Guy Ropes as shown previously.



- 6** Attach the Base Tent clips to the Support Poles on the front two sides. Check all Guy Ropes are secure before use. Peg out last two positions below doors.

