



RHINO-RACK

Aerodynamic & Heavy Duty Roof Rack Systems

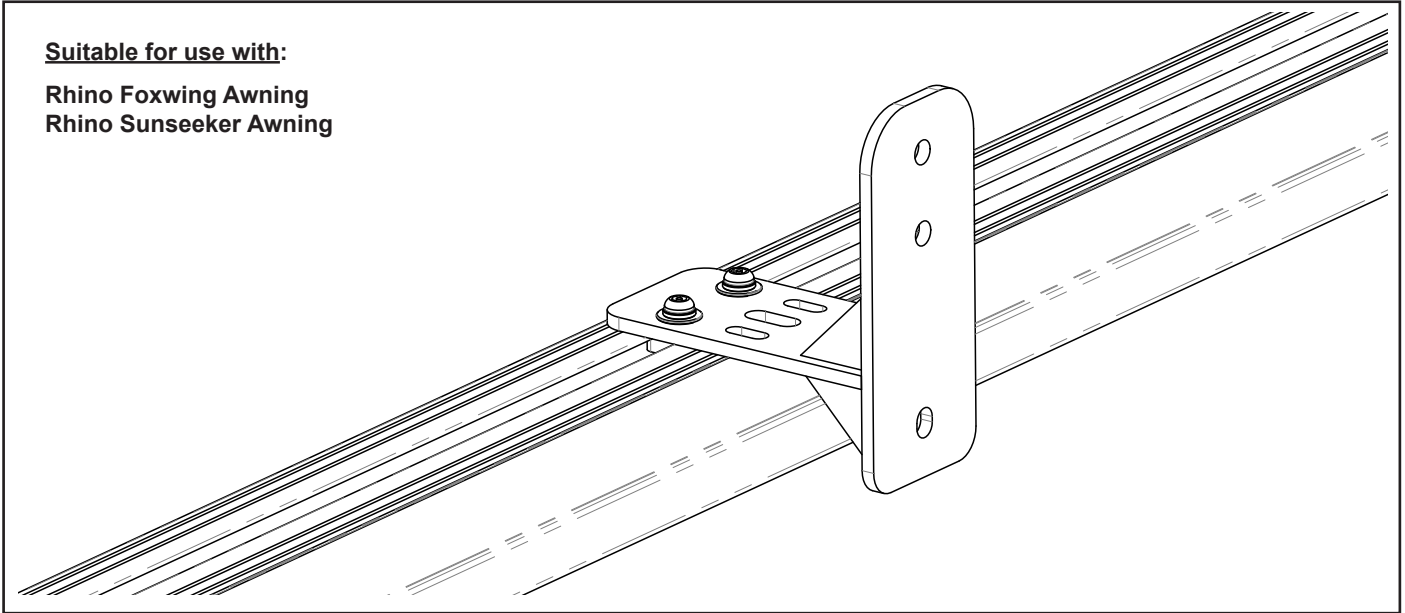
43100 - Awning Bracket Pioneer Alloy Tray

Place these instructions in the vehicle's glove box after installation is complete.

Important: Please read these instructions carefully prior to installation.
Please refer to your fitting instruction to ensure that the alloy tray is installed correctly.
Check the contents of this kit before commencing fitment and report any discrepancies.

Suitable for use with:

Rhino Foxwing Awning
Rhino Sunseeker Awning



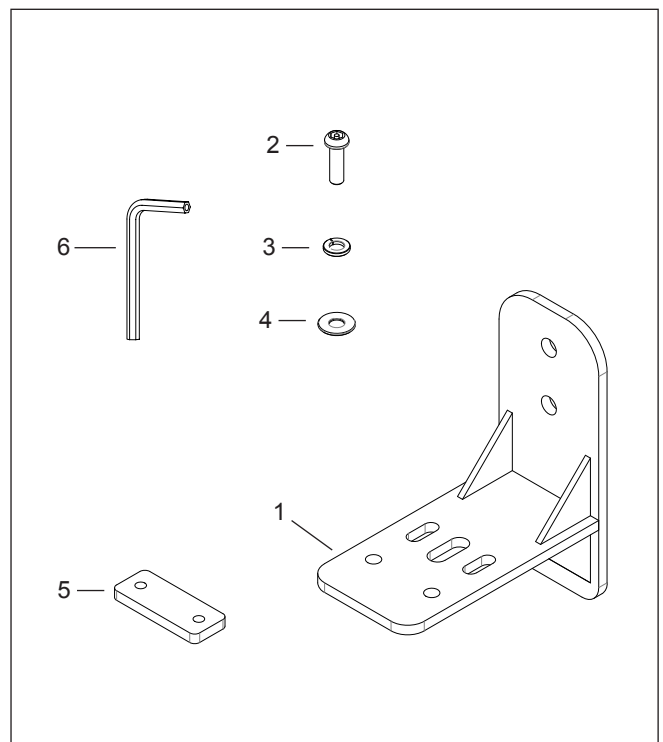
Item	Component Name	Qty	Part No.
1	Pioneer Awning Bracket	2	C828
2	M6 x 20mm Security Screw	4	B062
3	M6 Spring Washer	4	W004
4	M6 x 16mm Flat Washer	4	W031
5	Plate Nut	2	C838
6	5mm Security Allen Key	1	H021
7	Fitting Instructions	1	RS-449

Care Instruction

Clean alloy tray prior to fitting the awning bracket.

Tools Required

Allen Key (provided in kit)



Rhino-Rack
3 Pike Street, Rydalmere,
NSW 2116, Australia.
(Ph) (02) 9638 4744
(Fax) (02) 9638 4822

Document No: RS-449
Prepared By: Nigel Greig
Authorised By: Gary England

Issue No: 01
Issue Date: 01/06/2010

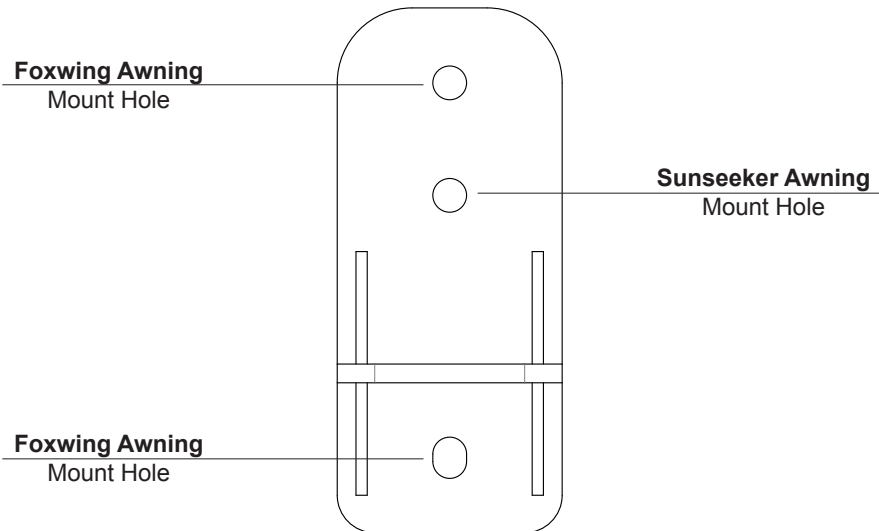
These instructions remain the property of Rhinorack Australia Pty Ltd and may not be used or changed for any other purpose than intended.



31110 - Awning Bracket Pioneer Alloy Tray

1 Loosely Fit Bracket to Awning

Using hardware that came with the awning, loosely fit the brackets to the awning as specified in the awning fitting instructions. Refer image below for mount locations.



2 Fit Awning Brackets to Alloy Tray

Insert the plate nuts into slot at the front of the Pioneer Alloy Tray and slide the plate nuts to the desired position. Fit the brackets to the tray with the hardware specified below.

Slide the awning to its final position and tighten the hardware as specified in the awning fitting instructions.

