



OMIX-ADA, Inc.

460 HORIZON DR. SUITE 400 | SUWANEE, GA 30024 | PHONE: 770-614-6101 | FAX: 770-614-6069 | info@omix-ada.com

Part 13551.12

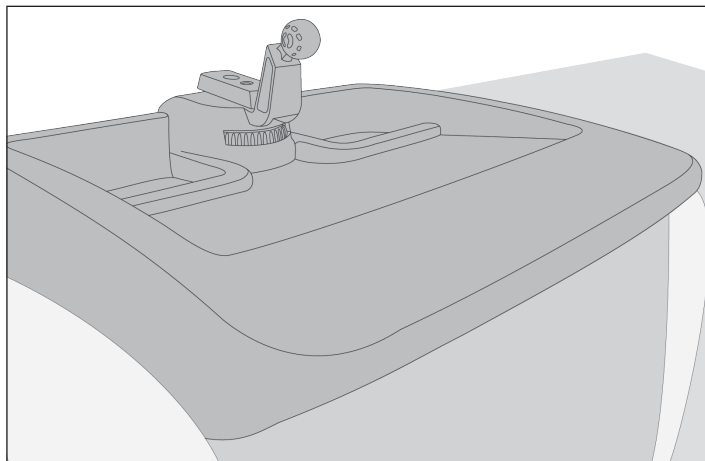
07-10 JK Multi Mount Dash Storage

Components:

- 1. Multi Mount Base (1)
- 2. Universal Ball Mount (1)
- 3. Cap Piece (1)

Required Tools:

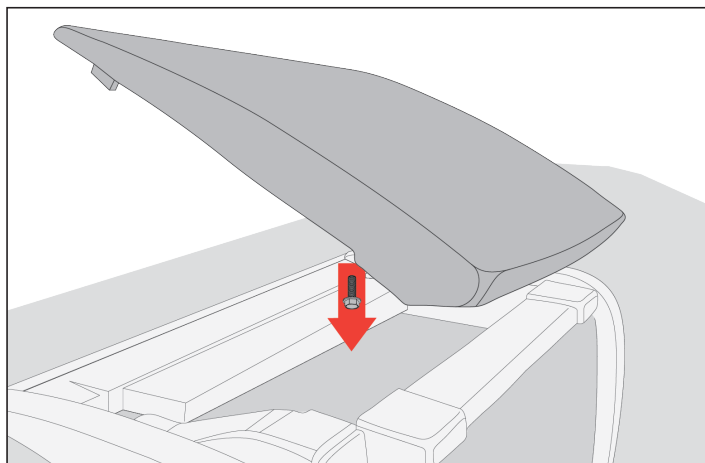
- 1. Phillips head screwdriver



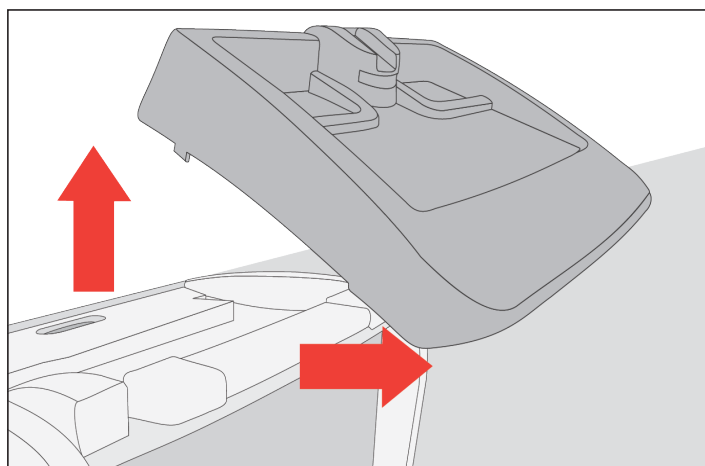
1. Remove factory dash cover above center console.

2. Unscrew remote compass module from factory dash.

3. Use screws to reattach remote compass module to Multi-Mount Dash Storage.



4. Install Multi-Mount Dash Storage by snapping front lip into dash, then pressing back tabs into place.



OMIX-ADA® TECHNICAL SUPPORT

PHONE: M-F 8am - 5pm EST 1-800-449-6649 | EMAIL: techsupport@omix-ada.com

FOR WARRANTY INFORMATION VISIT: www.Omix-Ada.com



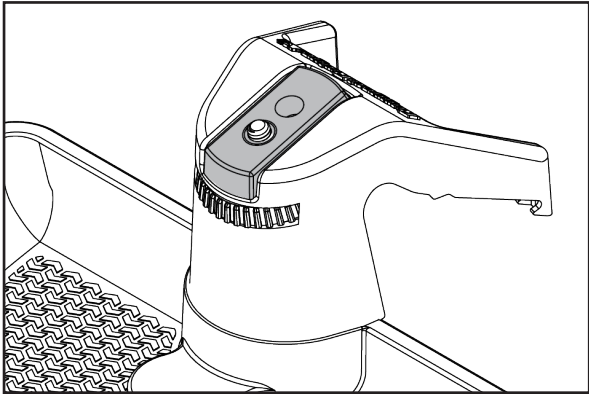
OMIX-ADA, Inc.

Part 13551.12

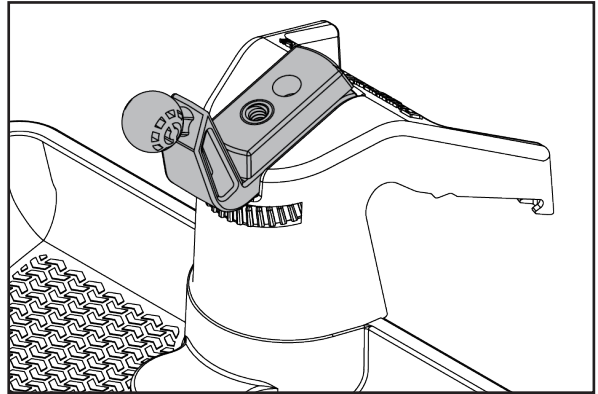
460 HORIZON DR. SUITE 400 | SUWANEE, GA 30024 | PHONE: 770-614-6101 | FAX: 770-614-6069 | info@omix-ada.com

07-10 JK Multi-Mount Dash Storage

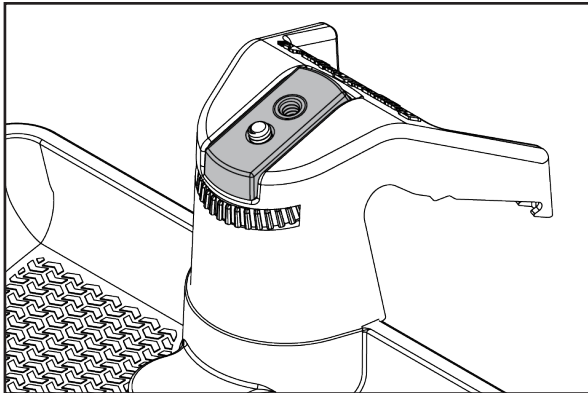
Four Modes for Multi Mount Dash Storage:



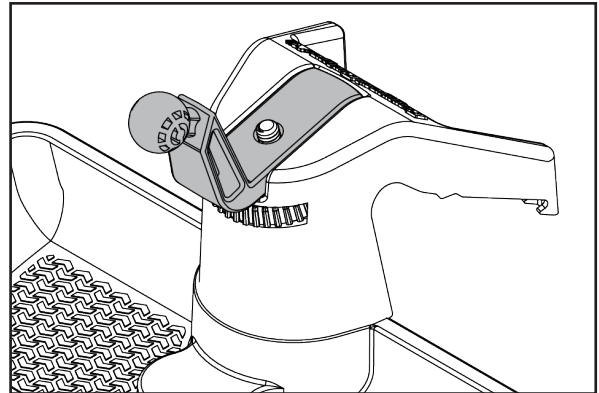
No Accessory



Universal Ball Only



Tripod Screw Only



Unviersal Ball and Tripod Screw