



OMIX-ADA, Inc.

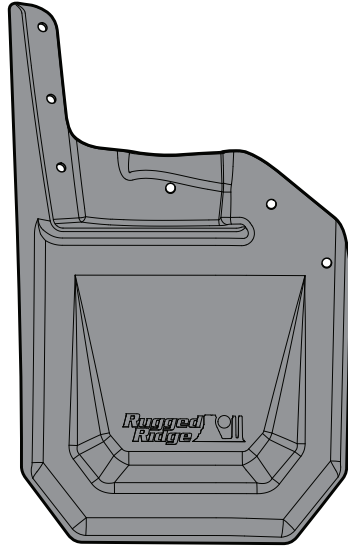


11642.10 Front + Rear Kit
 11642.11 Front Kit
 11642.12 Rear Kit

JEEP® JK SPLASH GUARDS

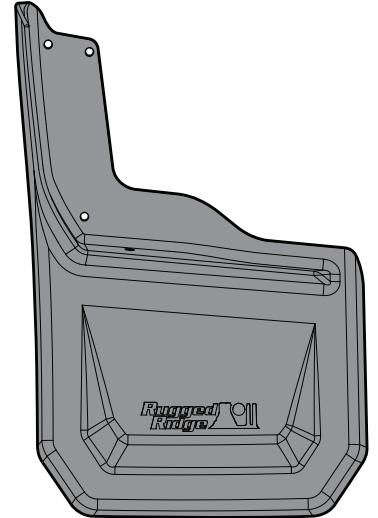
Front Kit Contents:

- (2) Front Splash Guard
- (12) Long Phillips Head Screw
- (12) Washers
- (12) Clip-on Nut



Rear Kit Contents:

- (2) Rear Splash Guard
- (8) Short Phillips Head Screw

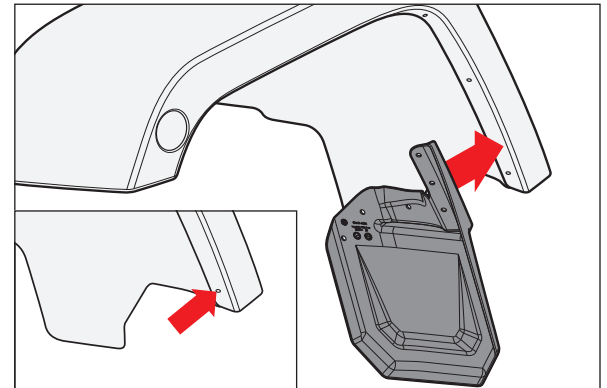


NOTICE

Splash guard are are designed to be fitted to factory front flares and factory rear bumper.

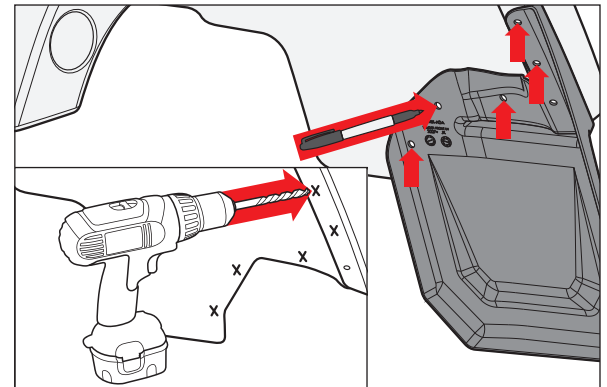
1. Remove the factory rivet located in the lower corner of the factory fender flare.

Place front splash guard against factory fender flare.



2. Use splash guard as a guide to mark guide holes.

Drill into marks made using a 13/64 drill bit.



OMIX-ADA® TECHNICAL SUPPORT

PHONE: M-F 8am - 5pm EST 1-800-449-6649 | EMAIL: techsupport@omix-ada.com

FOR WARRANTY INFORMATION VISIT: www.Omix-Ada.com



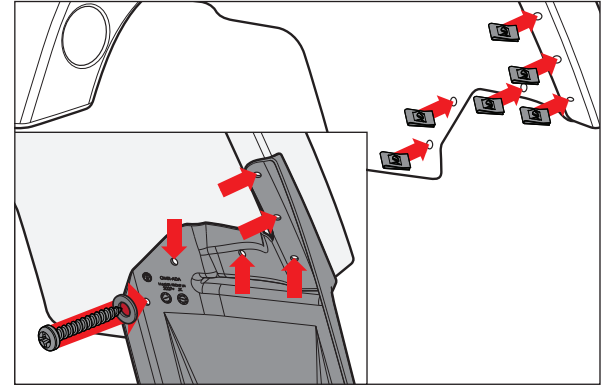
OMIX-ADA, Inc.



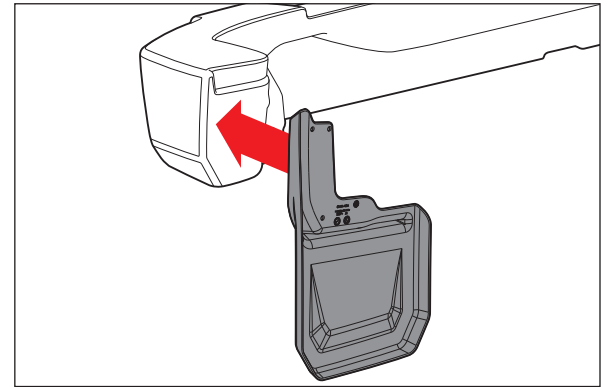
11642.10 Front + Rear Kit
11642.11 Front Kit
11642.12 Rear Kit

JEEP® JK SPLASH GUARDS

3. Attach clip-on nuts. Attach splash guard with long phillips head screws and washers.

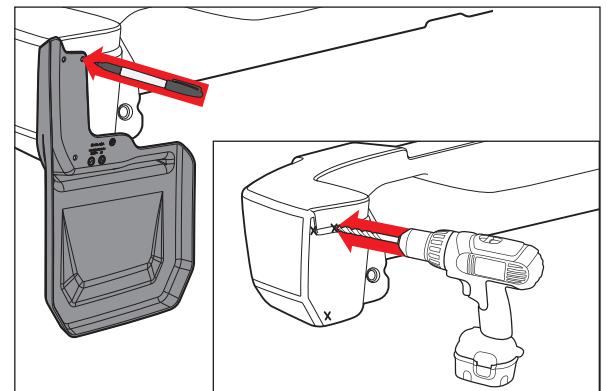


4. Place rear splash guard against factory bumper.



5. Use splash guard as a guide to mark guide holes.

Drill into marks made using a 13/64 drill bit.



6. Attach splash guard with short phillips head screws.

