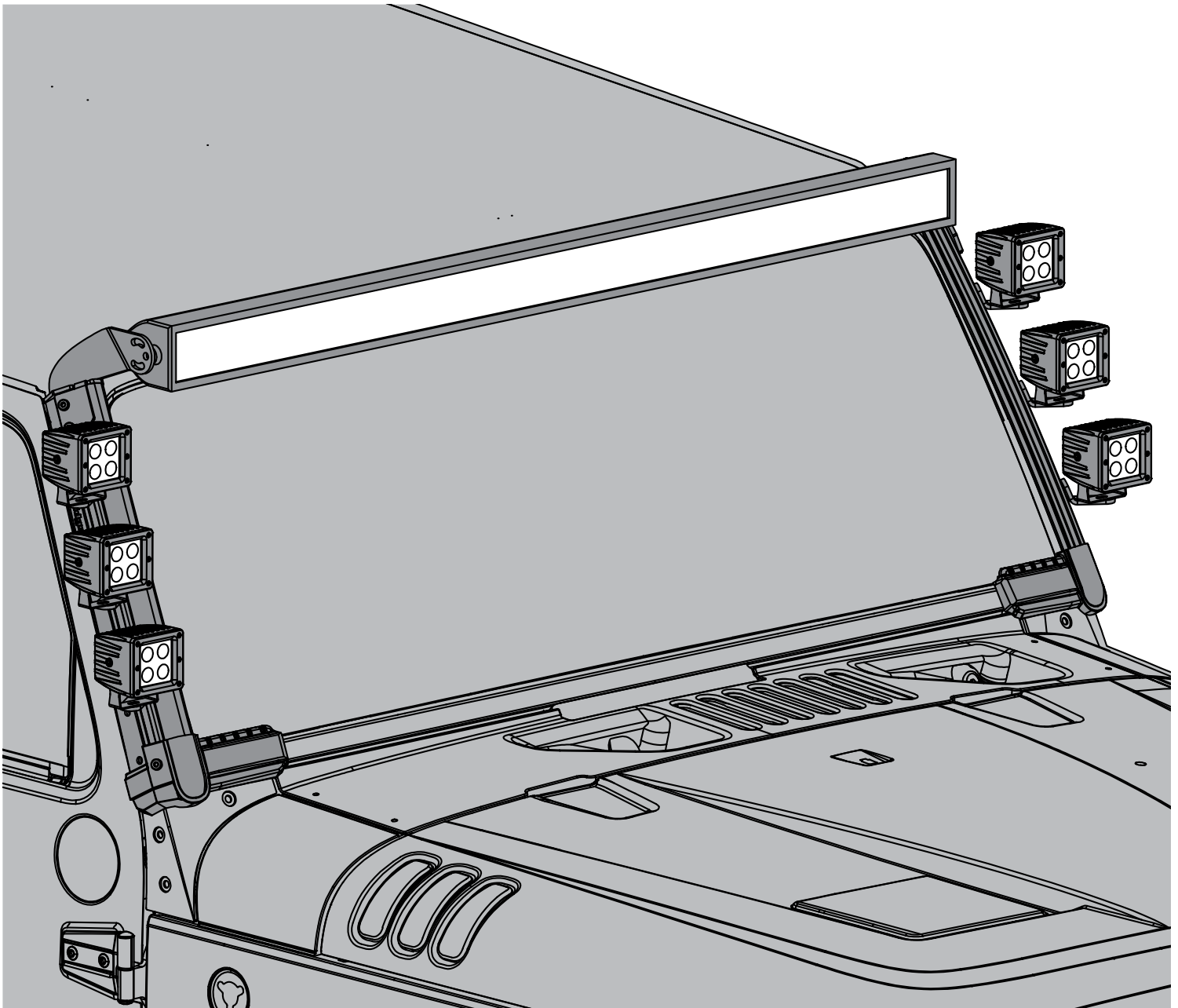


Fast Track 50" LED Light Bar

PATENT PENDING

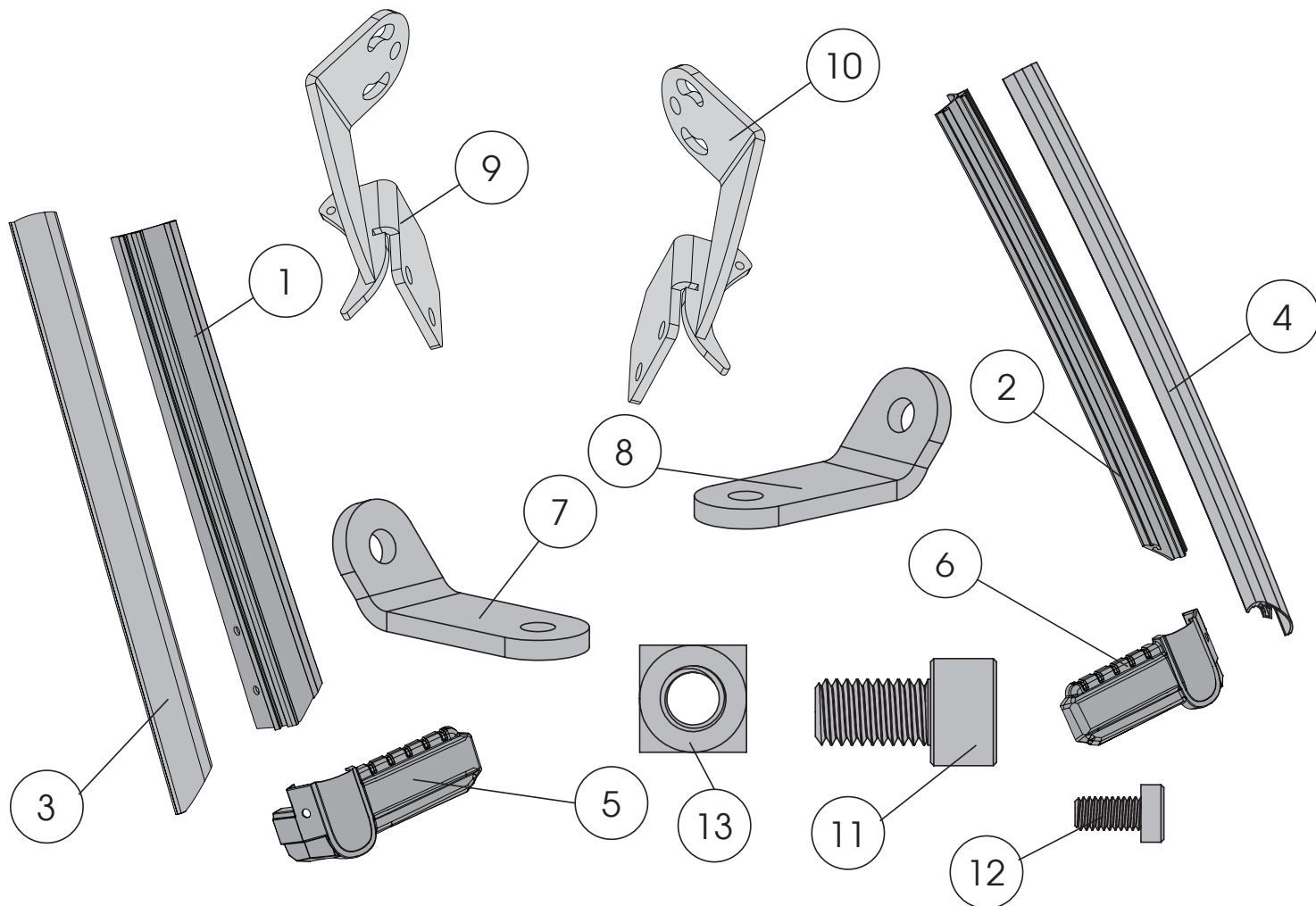


OMIX-ADA® TECHNICAL SUPPORT

PHONE: M-F 8am - 5pm EST 1-800-449-6649 | **EMAIL:** techsupport@omix-ada.com

FOR WARRANTY INFORMATION VISIT: www.Omix-Ada.com

Fast Track 50" LED Light Bar PATENT PENDING



Components

- | | | | |
|-------------------------|-----|-------------------------|------|
| 1. A-Pillar Cover, RH | (1) | 8. A-Pillar Brkacet, LH | (1) |
| 2. A-Pillar Cover, LH | (1) | 9. LED Bracket, LH | (1) |
| 3. Wire Cover, RH | (1) | 10. LED Bracket, RH | (1) |
| 4. Wire Cover, LH | (1) | 11. M8 Bolt | (14) |
| 5. Lower Cap, RH | (1) | 12. M4 Bolt | (2) |
| 6. Lower Cap, LH | (1) | 13. M8 Squire Nut | (14) |
| 7. A-Pillar Brakcet, RH | (1) | | |

OMIX-ADA® TECHNICAL SUPPORT

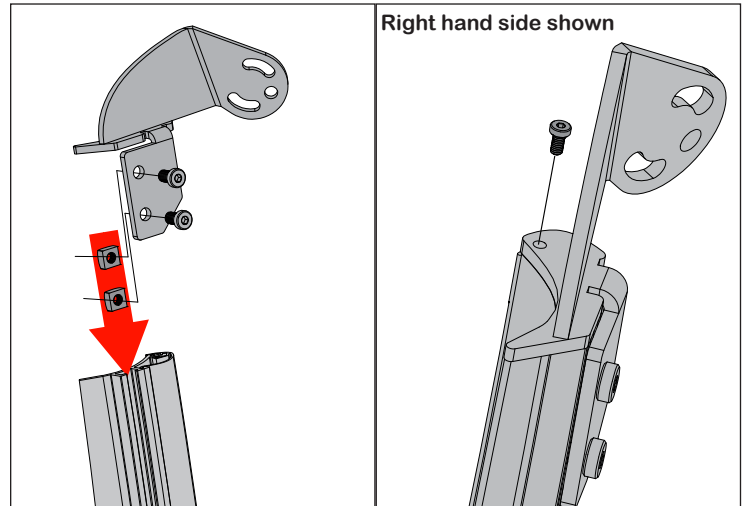
PHONE: M-F 8am - 5pm EST 1-800-449-6649 | EMAIL: techsupport@omix-ada.com

FOR WARRANTY INFORMATION VISIT: www.Omix-Ada.com

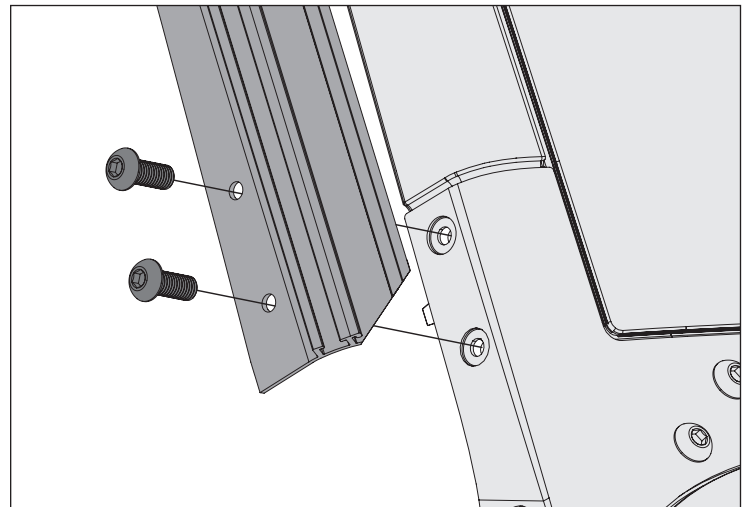
Fast Track 50" LED Light Bar PATENT PENDING

1. Construct A-pillar Assembly by attaching LED Bracket to the top of A-Pillar Covers using M8 Bolt and M8 Square Nut. Slide M8 Square Nut down channel on A-Pillar Covers. Using M4 Bolt, secure LED Bracket to top of A-Pillar Cover.

NOTICE If not attaching accessory to A-pillar Covers, skip to Step 5.

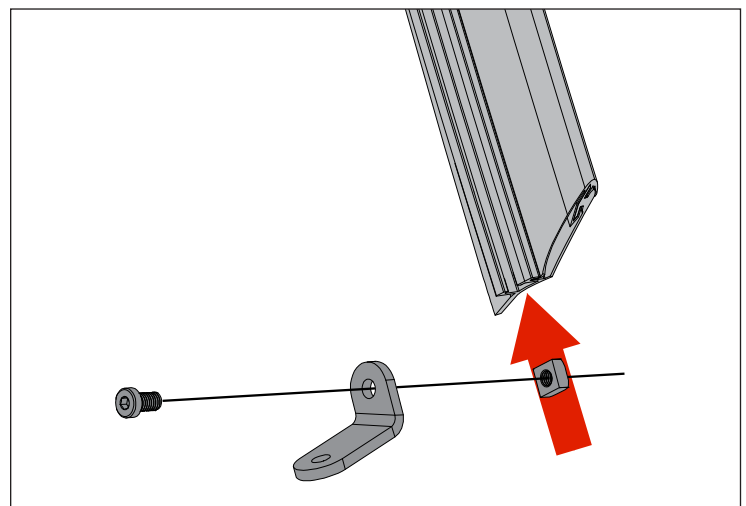


2. Using T40 Torx wrench, remove two upper OE bolts on windshield brackets. Loosely attach A-Pillar Covers using previously removed OE bolts.



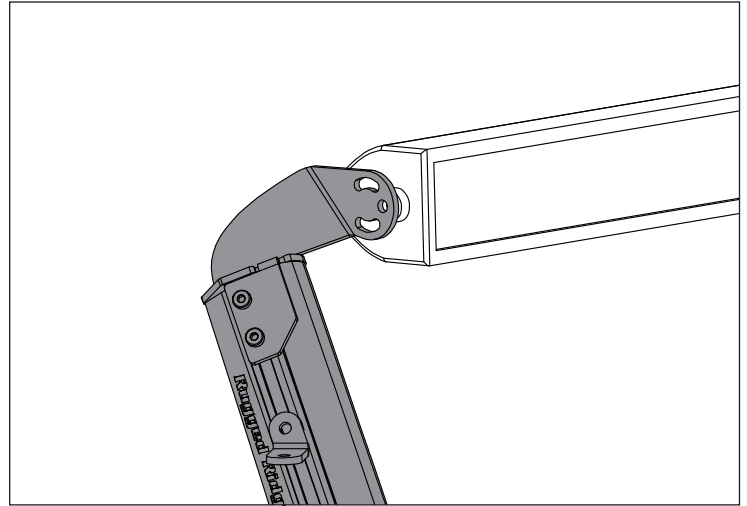
3. Attach A-Pillar Bracket using M8 Bolt and Square Nut in A-pillar Cover's channel. Attach accessory to A-Pillar Bracket. Align accessory per personal preference. To allow easier installation of Lower Caps, remove A-pillar Assembly from vehicle.

NOTICE If wiring lights, mark locations on wire cover for cutting holes.

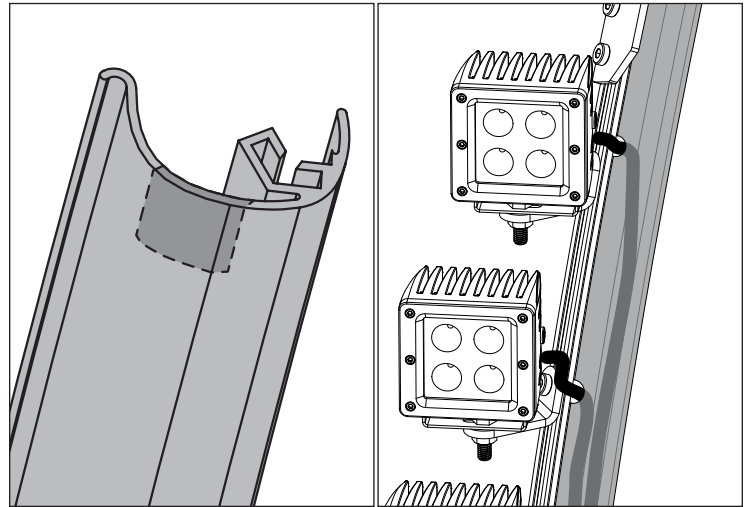


Fast Track 50" LED Light Bar PATENT PENDING

4. Using mounting hardware included with your LED bar, attach A-pillar Assemblies to LED bar.

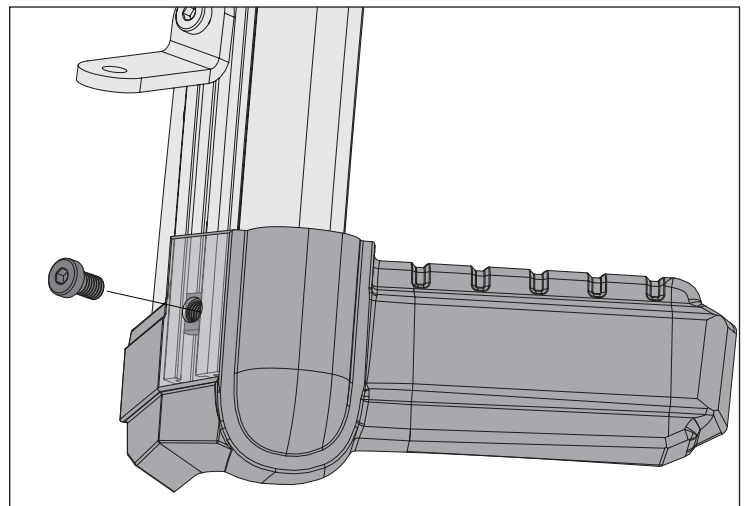


5. Remove Wire Cover from A-pillar Assembly. Create a small cutout at top of Wire Cover for wire routing. Cut out holes marked in Step 3.



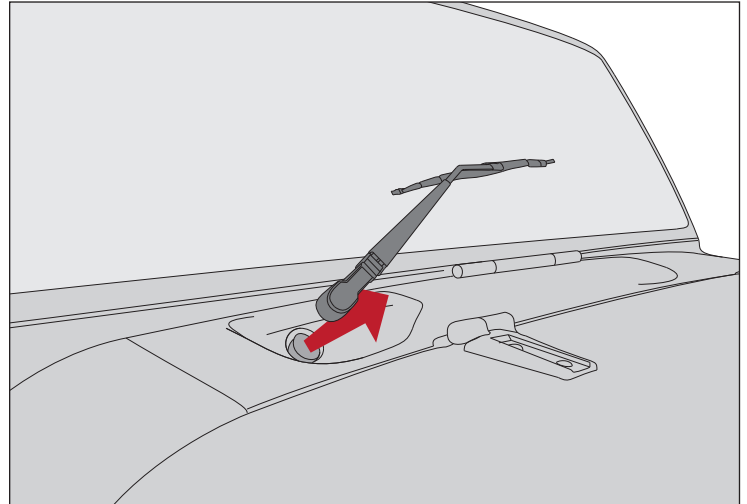
6. Reattach Wire Cover to A-pillar Bracket and feed wires through created hole(s) into channel behind Wire Cover.

6. Attach Lower Cap to A-Pillar Cover using M8 Bolt and M8 Square Nuts.

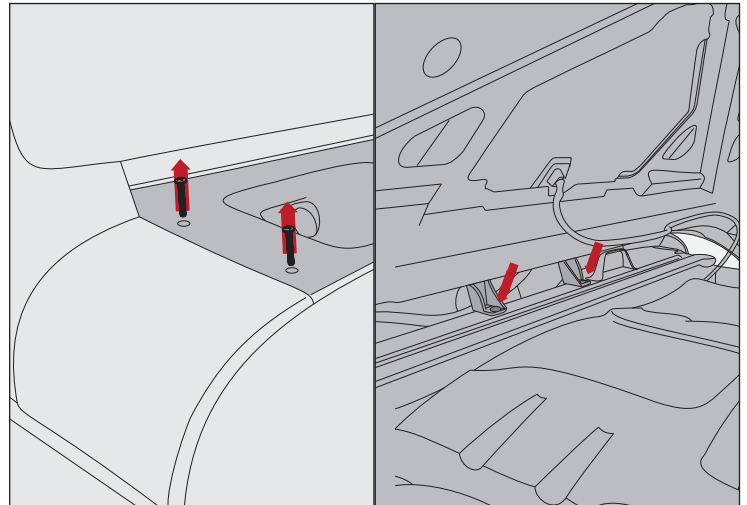


Fast Track 50" LED Light Bar PATENT PENDING

8. Remove Windshield wipers arms from vehicle.



9. Remove cowl screws using T30 Screw driver or socket. Lift hood. Carefully remove cowl center plastic retainer clips using a flat head screw driver and carefully remove cowl cover from vehicle. Close hood.



10. Position Light Bar Assembly on factory windshield bracket and reattach Light Bar Assembly using OE bolts.

CAUTION Use helper to mount Light Bar Assembly to vehicle.

11. Make any needed adjustments to lights and finish running wires. Reattached cowl cover and windshield wiper arms.

