



INSTALLATION INSTRUCTIONS

JL Elite Skid Plate

Part Number: 101445

Application: JL Wrangler

GENERAL SAFETY PRECAUTIONS

Your safety, and the safety of others, is very important. To help you make informed decisions about safety, we have provided installation and operating instructions and other information on labels and in this guide. This information alerts you to potential hazards that could hurt you or others. It is not possible to warn you about all potential hazards associated with this product, you must use your own good judgment.

CARELESS INSTALLATION AND OPERATION CAN RESULT IN SERIOUS INJURY OR EQUIPMENT DAMAGE. READ AND UNDERSTAND ALL SAFETY PRECAUTIONS AND OPERATING INSTRUCTIONS BEFORE INSTALLING AND OPERATING THIS PRODUCT.

This guide identifies potential hazards and has important safety messages that help you and others avoid personal injury or death. **WARNING** and **CAUTION** are signal words that identify the level of hazard. These signal words mean:

▲WARNING signals a hazard that could cause serious injury or death, if you do not follow recommendations. **▲CAUTION** signals a hazard that may cause minor to moderate injury, if you do not follow recommendations.

This guide uses **NOTICE** to call attention to important mechanical information, and **Note:** to emphasize general information worthy of special attention.

▲ WARNING

IMPACT AND MOVING PARTS ENTANGLEMENT HAZARD

Failure to observe these instructions could lead to severe injury or death

- **Always** take time to fully read the Instructions and/or Operations Guide, and/or Basic Guide to Winching Techniques, in order to understand your winch and its operations.
- **Always** use extreme caution when drilling on any vehicle. Make sure that all fuel lines, brake lines, electrical wires, and other objects are not punctured or damaged when/if drilling on the vehicle. Thoroughly inspect the area to be drilled (on both sides of material) prior to drilling, and relocate any objects that may be damaged. Failure to inspect the area to be drilled may result in vehicle damage, electrical shock, fire or personal injury.
- **Always** wear safety glasses when installing this kit. A drilling operation will cause flying metal chips. Flying chips can cause eye injury.
- **Always** use extreme caution when cutting and trimming during fitting.
- **Always** remove jewelry and wear eye protection.
- **Never** lean over battery while making connections.
- **Never** route electrical cables:
 - o Across any sharp edges.
 - o Through or near moving parts.
 - o Near parts that become hot.
- **Always** insulate and protect all exposed wiring and electrical terminals.
- **Always** install terminal boots as directed in installation instructions.
- **Always** use appropriate and adequate care in lifting components into place.
- **Always** insure components will remain secure during installation and operation.
- **Always** tighten all nuts and bolts securely, per the installation instructions.
- **Always** perform regular inspections and maintenance on the plow mechanism, fasteners, cable and related hardware.
- **Always** replace all worn or damaged parts before operating.
- **Never** operate this WARN product with damaged or missing parts.

Read installation and operating instructions thoroughly.

WARN INDUSTRIES, INC. 12900 S.E. Capps Road,
Clackamas, OR USA 97015-8903, 1-503-722-1200, FAX: 1-503-722-3000
Customer Service: 1-800-543-9276
Dealer Locator Service: 1-800-910-1122
International Fax: 1-503-722-3005

⚠ CAUTION

MOVING PARTS ENTANGLEMENT HAZARD

Failure to observe these instructions could lead to minor or moderate injury

- **Always** take time to fully read and understand the installation and Operations Guide included with this product.
- **Never** operate this product if you are under 16 years of age.
- **Never** operate this product when under the influence of drugs, alcohol or medications.

Read installation and operating instructions thoroughly.

NOTICE

EQUIPMENT DAMAGE

- **Never** tow vehicle by attaching a tow bar to the eyelets on the bumper.
- **Never** attach tow bars directly to the bumper. Damage to bumper may occur. WARN bumpers are not designed to be used for flat towing. Consult with the manufacturer of your tow bar system for the proper vehicle tow bar brackets..

Read installation and operating instructions thoroughly.

TABLE OF CONTENTS

| | |
|----------------------------|----------|
| Tools Required..... | page 2 |
| Torque Specifications..... | page 2 |
| Parts List..... | page 3 |
| Maintenance/Care..... | page 3 |
| Installation | page 4-5 |

TOOLS REQUIRED

- Metric wrenches
- Metric sockets

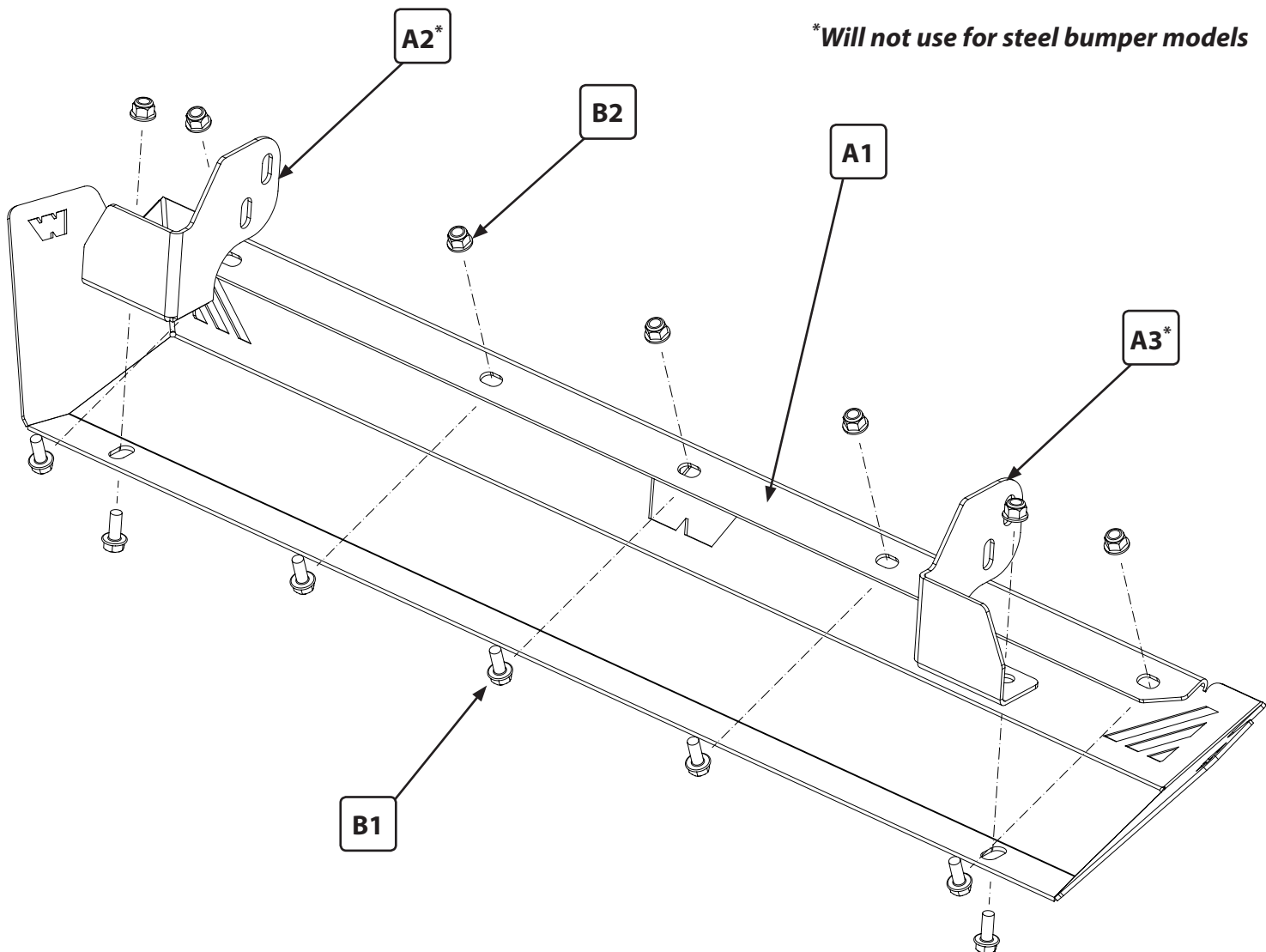
TORQUE SPECIFICATIONS

Please use the recommended torque specifications when assembling this product unless otherwise specified in the instructions.

| FASTENER SIZE | FASTENER TORQUE | | FASTENER SIZE | FASTENER TORQUE | |
|---------------|-----------------|-------|---------------|-----------------|-------|
| | lb-ft | (N.m) | | lb-ft | (N.m) |
| 1/4" | 8 | (11) | M4 | (2) | 3 |
| 5/16" | 17 | (23) | M5 | (4.5) | 6 |
| 3/8" | 30 | (40) | M6 | (7.5) | 10 |
| 7/16" | 48 | (66) | M8 | (18) | 25 |
| 1/2" | 74 | (100) | M10 | (37) | 50 |
| 9/16" | 106 | (144) | | | |
| 5/8" | 148 | (200) | | | |
| 3/4" | 269 | (364) | | | |

PARTS LIST

| ID No. | Item No. | Description | Qty. |
|--------|----------|---------------------------------------|------|
| A1 | 101444 | FRONT SKID PLATE | 1 |
| A2* | 101471 | RH SKID PLATE BRACKET | 1 |
| A3* | 101472 | LH SKID PLATE BRACKET | 1 |
| B1 | 78648 | M8 - 1.25 X 20MM HEX FLANGE HEAD BOLT | 7 |
| B2 | 71588 | M8 X 1.25 - HEX FLANGE NUT | 7 |



MAINTENANCE / CARE

1. Inspect all parts on the winch, winch mount, and related hardware prior to each use. Replace all hardware that appears rusted or deformed.
2. Inspect all nuts and bolts on the winch, winch mount and related hardware prior to each use. Tighten all nuts that appear to be loose. Stripped, fractured, or bent bolts or nuts need to be replaced.
3. Check all cables prior to use. Replace cables that look worn or frayed.
4. Check all moving or rotating parts. Remove debris that may inhibit the part from moving freely.

INSTALLATION INSTRUCTIONS

1. The Warn Elite Skid Plate cover works for all trims of the JL, however the installation is slightly different between the steel bumpers and plastic bumper models.

For steel bumper models:

NOTE: You will not use the included skid plate brackets.

- a. With assistance, align skid plate mounting hole with existing bottom holes of factory bracket.
- b. Secure skid plate by threading one bolt (B1) through skid plate and factory bracket. **Do not fully tighten at this time to allow for further adjustment .**
- c. Repeat for other side.

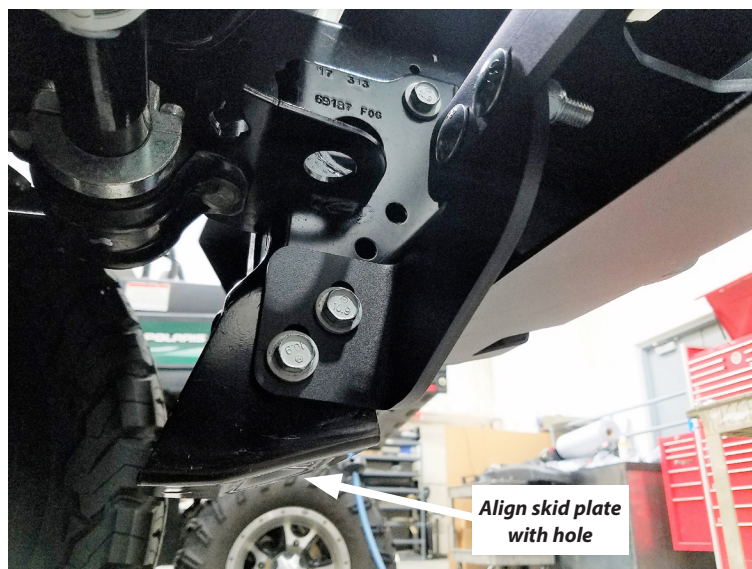


Figure 1

For plastic bumper models:

- a. Remove the two nuts from bolts in bumper/frame (each side).
- b. With assistance, align skid plate bracket holes with existing bolts in frame.
- c. Secure skid plate bracket (A2 or A3) to bolts with factory nuts. Repeat for other side.

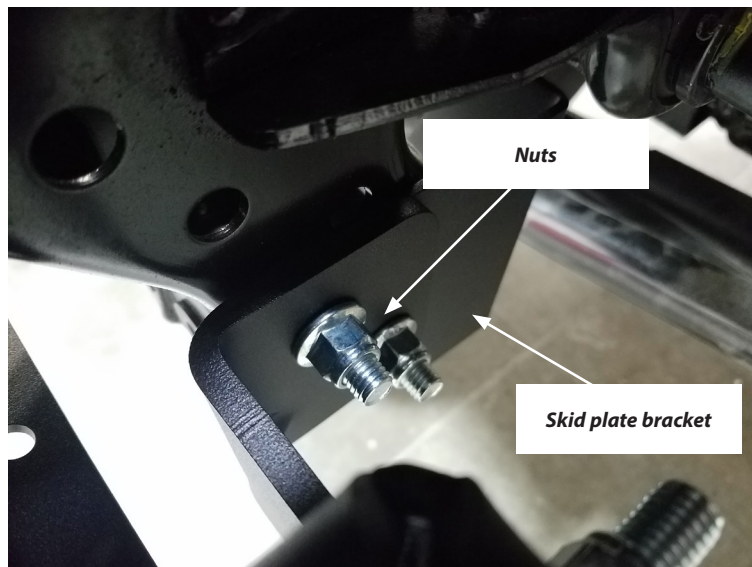


Figure 2

- d. Secure skid plate to skid plate bracket bottom mounting hole by threading one bolt (B1) through skid plate and bracket and fasten with nut (B2). **Do not fully tighten at this time to allow for further adjustment .**
- e. Repeat for other side.

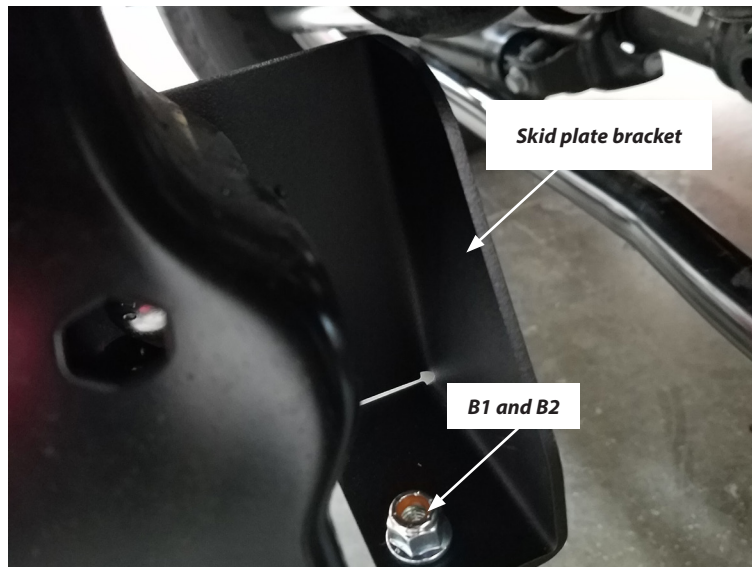


Figure 3

For all models:

- a. Align the skid plate holes to match the holes on vehicle bumper.



Figure 4

- b. Insert fastener (B1) into the center of skid plate cover and fasten with provided nut (B2).
- c. Repeat for rest of the holes (five total).

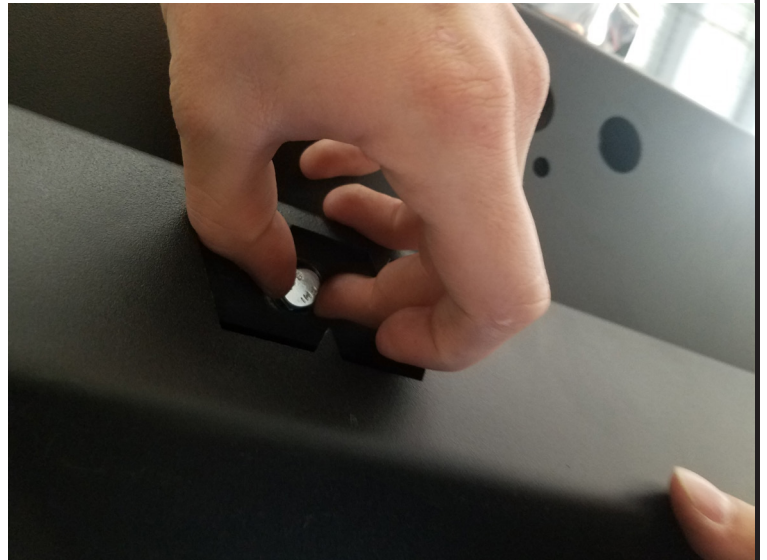


Figure 5

2. After all the fasteners are in, tighten ALL fasteners to 18.8 ft-lbs.

The skid plate cover should look like this after installation.



Figure 6