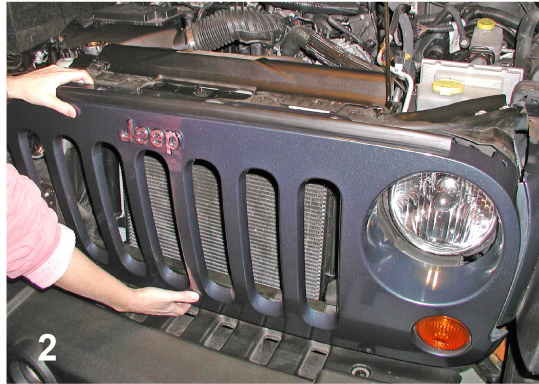
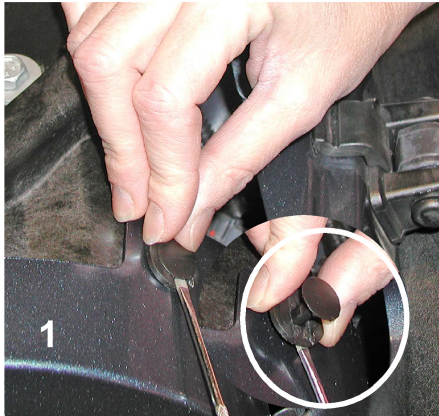


# CFE PRODUCTS

## JK CUSTOM LIGHT MOUNT BRACKET

### MODEL #JK- LMB

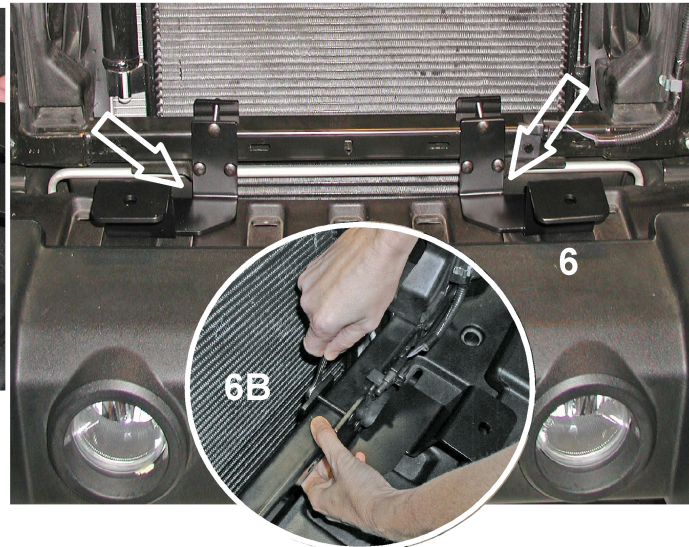
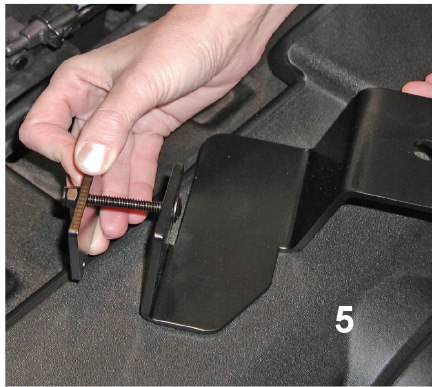
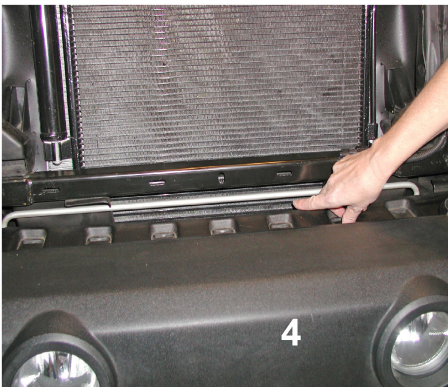
#### Jeep Wrangler JK / 2007 & UP



1. Remove the Push Clips that are holding the Grill on ( 6 locations) using a small flat edge screw driver as shown in picture 1.

2. Pull the Grill forward then pull out the bottom of the Grill to unsnap the bottom clips as shown in picture 2. **\*\*DO NOT PULL GRILL ALL THE WAY OFF YET...the Parking Light Wires on each end still need to be unplugged. (next step)**

3. Pull back the Red Plug Lock Tab and disconnect the cable from the Parking Light on each side as shown in picture 3. Remove Grill and set aside.



4. Pay close attention to where the BRAKE LINE is and make sure that you don't pinch the line during installation. Brake Line is shown in picture 4.

5. Attach the Backing Plate to the Mount using one screw and nut as shown in picture 5. (the single hole goes toward the top) This will allow you to slip the mount over the Lower Grill Frame and then install the bottom two bolts (loosely installing the nuts before tightening.) The Mount will positioned on the Lower Grill Frame on the inside of the two Plastic Pieces as indicated by the arrows in picture #6. Hold the Bracket up as shown in picture 6B to ensure that the Mount is not resting on bumper and tighten with a 7/16" Open End Wrench.

6. When you are sure that the Brackets are positioned correctly and that the Bolts are tight, plug in the Parking Lights and reinstall the Grill.

7. Congratulations, you are now ready to install your driving lights. Picture # 7 shows a finished installation using 8" KC Lights (not included).

