



Installation Instructions Trek Top 2-Door

Vehicle Application:
Jeep® Wrangler 2-Door JL 2018-Current
Part Number 56862

Installation Tips

Before you begin installing your new Trek Top, please read all the instructions thoroughly.



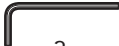









WARNING Do not rely in any way on the components of this product to protect against injury or death in the event of an accident. Never operate the vehicle in excess of manufacturer's specifications.

Read and follow, precisely, all installation instructions provided when installing this product. Failure to do so may result in a poor fit and could place occupants of the vehicle in a potentially dangerous situation.



WEAR SEAT BELTS AT ALL TIMES

CAUTION Safety glasses should be worn at all times when installing this product.

Tools				Installation Time	Support
 Safety Glasses	 T8 - T40 - T50 Torx Drivers	 3mm - 4mm - 5mm Allen Wrenches		 4 hours	We're here to help! Go to: https://www.bestop.com and click on Need Help?
 8mm - 10mm Wrenches	- OR -	 Socket Wrench	 8mm - 10mm Sockets	Skill Level	
				   	 https://www.bestop.com/video-library
				3 - Moderately Difficult	



Installation Instructions Trek Top 2-Door

Vehicle Application:
Jeep® Wrangler 2-Door JL 2018-Current
Part Number 56862

Sugerencias de Instalación

Antes de empezar a instalar esta unidad, lea atentamente todas las instrucciones.

Para un buen ajuste:

Para facilitar la instalación, el producto debe instalarse a temperaturas superiores a 72 °F (22 °C).

Por debajo de esta temperatura, la tela puede encogerse una pulgada o más, lo que dificultaría su ajuste al vehículo.

Es normal que la tela se contraiga o arrugue cuando está guardada en la caja de empaque. A los pocos días después de la instalación, la tela se relajará y las arrugas desaparecerán.



ADVERTENCIA

Este producto se diseñó principalmente para mejorar la apariencia del vehículo y proteger a los ocupantes de las condiciones climáticas comunes. De ninguna manera piense que los componentes de este producto pueden servir como medio de contención para los ocupantes del vehículo o que pueden protegerlos contra lesiones o la muerte en caso de accidente. Este producto no protegerá a los ocupantes contra caídas de objetos. Nunca conduzca este vehículo fuera de las especificaciones del fabricante.

USE LOS CINTURONES DE SEGURIDAD EN TODO MOMENTO

Lea y siga con precisión todas las instrucciones de instalación que se proporcionan para instalar este producto. Si no lo hace, podría producirse un mal ajuste que colocaría a los ocupantes del vehículo en una situación potencialmente peligrosa.



PRECAUCIÓN

Debe usar gafas protectoras en todo momento durante la instalación de este producto.

Conseils pour l'installation

Lire toutes les instructions au complet avant de commencer l'installation de cet assemblage.

Pour un ajustement sans problème :

Afin de faciliter l'installation, ce produit doit être installé à des températures au-dessus de 72 °F (22 °C).

Sous cette température, le tissu peut rétrécir d'un pouce (2,5 cm) ou plus, ce qui rendra l'ajustement sur le véhicule difficile.

Il est normal que le tissu rétrécisse et plisse pendant qu'il est dans la boîte d'expédition. En quelques jours après l'installation, le tissu se détendra et les plis disparaîtront.



AVERTISSEMENT

Ce produit est conçu principalement pour améliorer l'apparence du véhicule et pour protéger les occupants des conditions météorologiques usuelles. Ne jamais se fier aux composants de ce produit pour se protéger de blessures ou de la mort en cas d'accident. Ce produit ne protégera pas les occupants des chutes d'objets. Ne jamais utiliser le véhicule au-delà des caractéristiques techniques indiquées par le fabricant.

PORTER UNE CEINTURE DE SÉCURITÉ EN TOUT TEMPS

Lire et suivre, très fidèlement, toutes les instructions d'installation fournies lors de l'installation de ce produit. Ne pas suivre cette consigne peut causer une installation inadéquate et mettre les occupants du véhicule dans une situation potentiellement dangereuse.



MISE EN GARDE

Des lunettes de sécurité doivent être portées en tout temps lors de l'installation de ce produit.



Installation Instructions Trek Top 2-Door

Vehicle Application:
Jeep® Wrangler 2-Door JL 2018-Current
Part Number 56862

Parts List

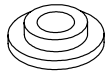
- Required parts for installation - Page number in Installation Guide

All Sections

Parts Kit #576.93

All Pages

Parts Kit #576.93



Plastic Bushing
#473.40
Qty. 16



M6 Nylon Lock Nut
#494.01
Qty. 4



M6 Flat Washer
#515.81
Qty. 4



M5 Nylon Lock Nut
#526.76
Qty. 8



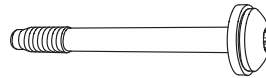
M5 Flat Washer
#565.90
Qty. 16



M5x0.8x25
Button Head
Socket Cap Screw
#579.60
Qty. 8



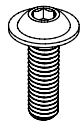
M6x1x15
Button Head
Socket Cap Screw
#517.63
Qty. 4



M8 x 1.25 x 80
Screw
#532.23
Qty. 4



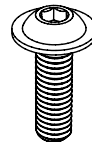
M3.5x6
Screw
#574.44
Qty. 10



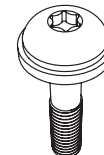
M6x20mm
Flanged Button Head
Screw
#517.48
Qty. 4



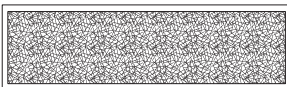
M5x0.8x12
Flanged Button
Head Cap Screw
#531.49
Qty. 4



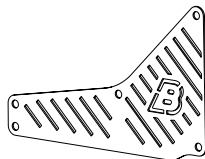
M8x1.25x20mm
Flanged Button Head
Cap Screw
#573.09
Qty. 12



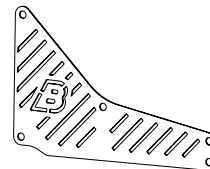
M8x1.25x38
Button Head
Socket Cap Screw
#532.17
Qty. 2



3.5x1" PSA Hook Strip
#547.51
Qty. 4



Lower Door Rail
Grille
#579.02 - Right
Qty. 1



Lower Door Rail
Grille
#579.03 - Left
Qty. 1

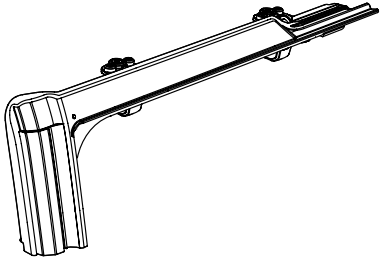
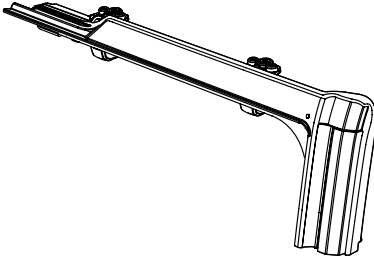

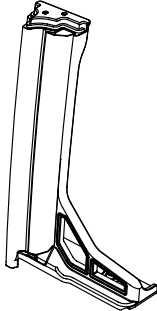
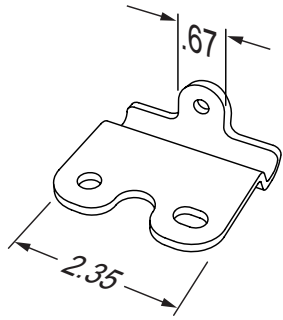
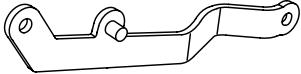
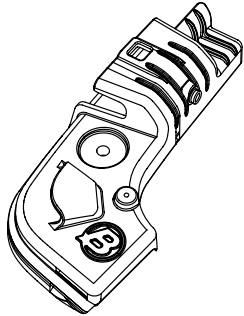
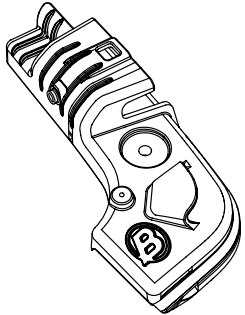
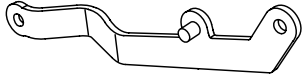


Installation Instructions Trek Top 2-Door

Vehicle Application:
Jeep® Wrangler 2-Door JL 2018-Current
Part Number 56862

Parts List

- Required parts for installation - Page number in Installation Guide

Sections 1 to 4	Door Rails, Upper and Lower	Pages 7 to 8 of Guide	
 <p>Upper Door Rail Part #577.06 - Right Qty. 1</p>	 <p>Upper Door Rail Part #577.07 - Left Qty. 1</p>	 <p>Lower Door Rail Part #577.08 - Right Qty. 1</p>	 <p>Lower Door Rail Part #577.09 - Left Qty. 1</p>
Sections 3 to 5	Pivot Bracket; Bow Link Assemblies, Tailgate Bar Retainers		Pages 9 to 11 of Guide
 <p>Side Bow Pivot Bracket Part #579.96 Qty. 2</p>	 <p>#2 Bow Link Assembly Part #578.66 - Right Qty. 1</p>	 <p>Tailgate Bar Retainer Part #575.38 - Right Qty. 1</p>	 <p>Tailgate Bar Retainer Part #575.39 - Left Qty. 1</p>
 <p>#2 Bow Link Assembly Part #578.67 - Left Qty. 1</p>			



Installation Instructions Trek Top 2-Door

Vehicle Application:
Jeep® Wrangler 2-Door JL 2018-Current
Part Number 56862

Parts List

- Required parts for installation - Page number in Installation Guide

Section 6		#2 Bow Mount Bracket; #3-#4 Bow Mount Brackets		Page 12 of Guide
#2 Bow Mount Bracket Part #585.46 - Right Qty. 1	#2 Bow Mount Bracket Part #585.47 - Left Qty. 1	#3 & #4 Bow Mount Bracket Part #566.78 - Right Qty. 1	#3 & #4 Bow Mount Bracket Part #566.79 - Left Qty. 1	
Sections 7 to 10		#3 Bow Assembly, #4 Bow Assembly, Tailgate Bar Retainers		Pages 13 to 16 of Guide
#4 Bow Assembly Part #566.86 Qty. 1	#3 Bow Assembly Part #578.98 Qty. 1	#2 Bow Assembly Part #578.58 Qty. 1		

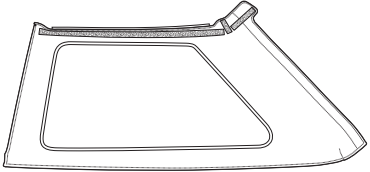
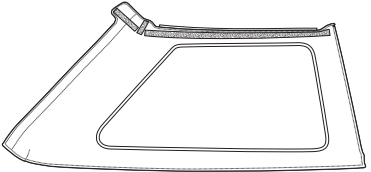
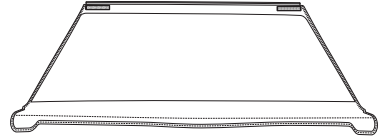
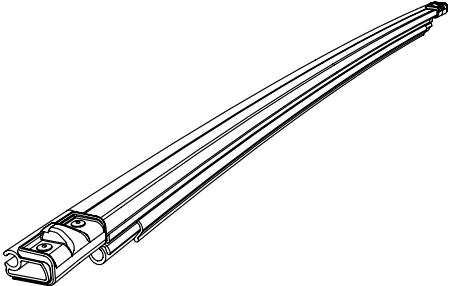


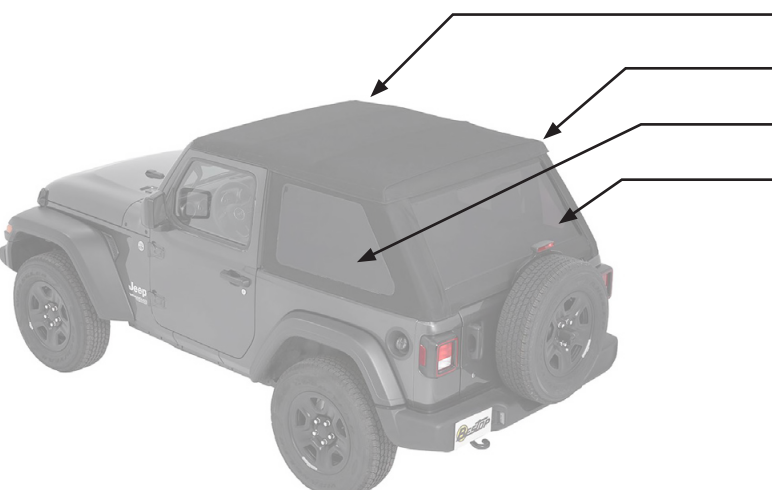
Installation Instructions Trek Top 2-Door

Vehicle Application:
Jeep® Wrangler 2-Door JL 2018-Current
Part Number 56862

Parts List

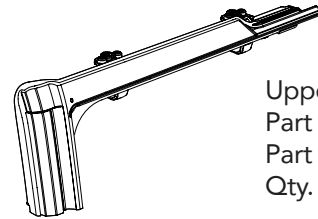
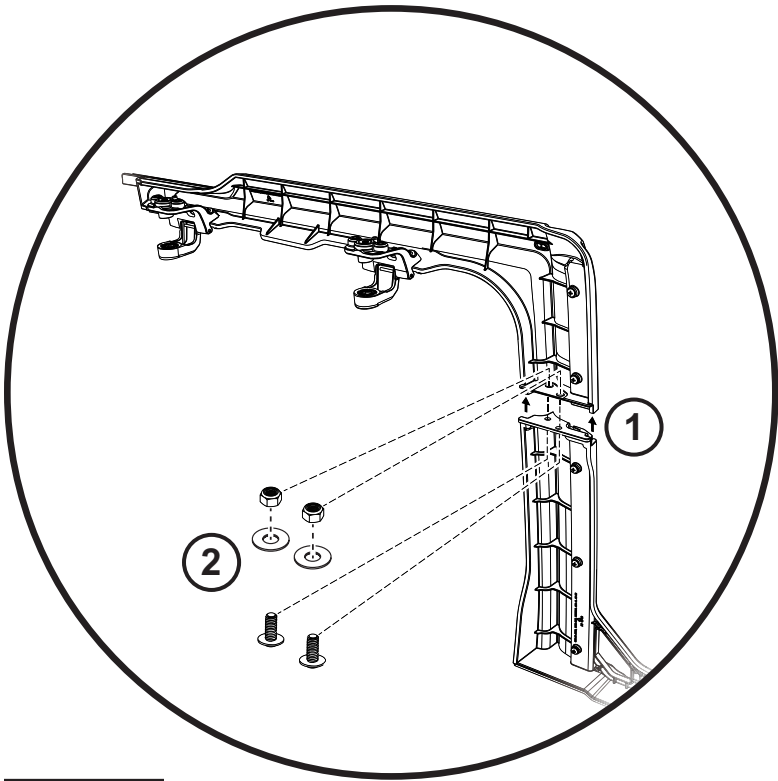
- Required parts for installation - Page number in Installation Guide

Sections 14 to 17	Quarter Windows; Rear Window; Tailgate Bar	Pages 20 to 27 of Guide	
 <p>Quarter Window Left Qty. 1</p>	 <p>Quarter Window Right Qty. 1</p>	 <p>Rear Window Qty. 1</p>	 <p>Tailgate Bar Part #575.33 Qty. 1</p>

All Sections	Top Fabric and Windows	All Pages of Guide
 <ul style="list-style-type: none"> Deck, Header Assembly & Fabric Top Right Quarter Window Left Quarter Window Rear Window 		

Step 1	577.06	577.07	577.08	577.09	517.48	494.01
						515.81

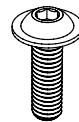
Hardware



Upper Door Rail
Part #577.06 - Right (shown)
Part #577.07 - Left
Qty. 1 of each



Lower Door Rail
Part #577.08 - Right (shown)
Part #577.09 - Left
Qty. 1 of each



M6x20mm
Flanged Button Head
Cap Screw
#517.48
Qty. 4



M6 Flat Washer
#515.81
Qty. 4



M6 Nylon Lock Nut
#494.01
Qty. 4

Step 1

① Attach the Right Upper Door Rail #577.06 to the Right Lower Door Rail #577.08.

② Use two (2) #517.48 Button Head Cap Screws, two (2) M6 Flat Washers #515.81, and two (2) M6 Nylon Lock Nuts #494.01 to secure the Door Rails together.

NOTE: Screws thread up from the bottom into the M6 Nylon Lock Nuts.

Repeat with the Left side Door Rails #577.07 and #577.09.

Tools



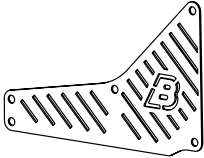
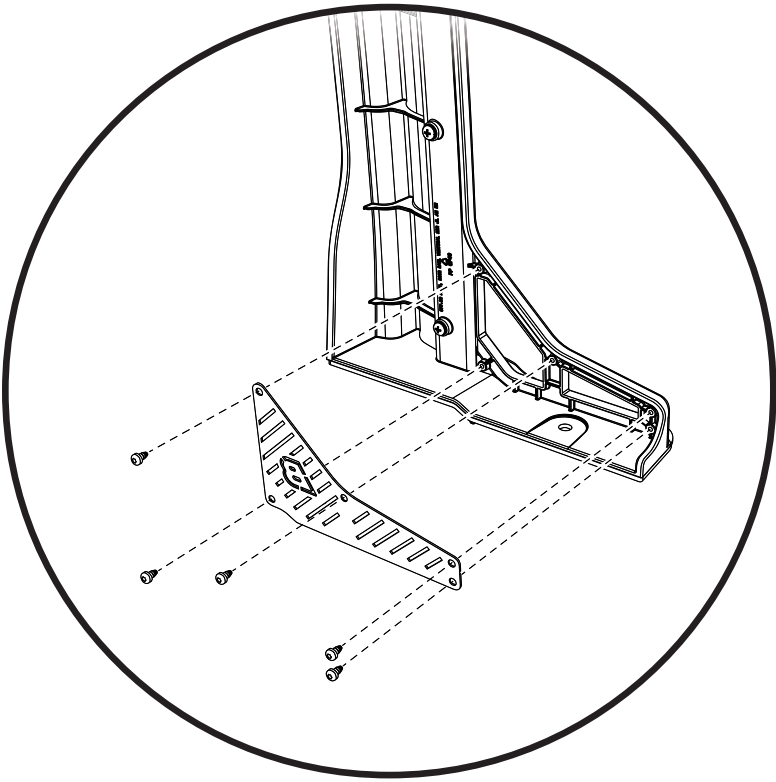
4mm
Allen Wrench



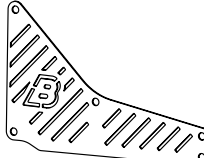
10mm
Wrench

Step 1 579.02 579.03 574.44

Hardware



Lower Door Rail Grille
#579.02 - Right
Qty. 1



Lower Door Rail Grille
#579.03 - Left
Qty. 1



M3.5x6
Screw
#574.44
Qty. 10

Tools



T8 Torx Driver

Step 1

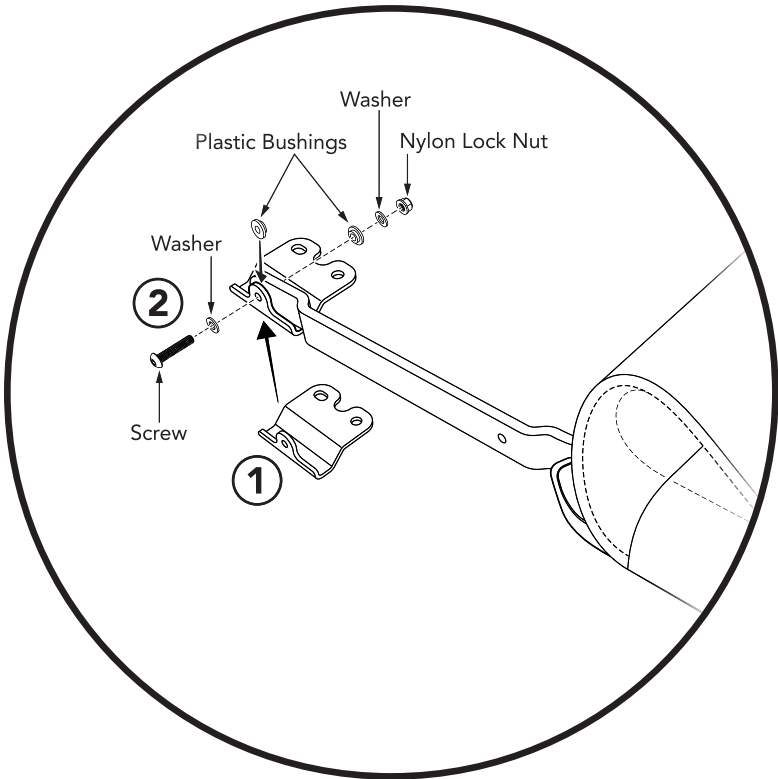
Attach the Lower Door Rail Grille #579.02 (right) to the Right Door Rail Assembly, and #579.03 (left) to the Left Door Rail Assembly using five (5) #574.44 screws for each grille.

Make sure that the Bestop logo reads correctly from the outside of each Door Rail assembly.

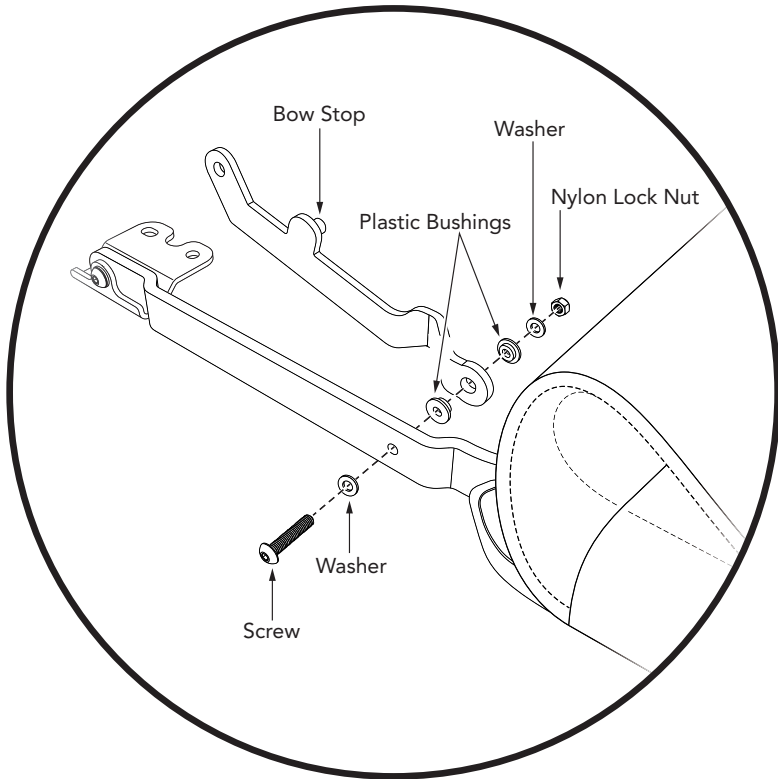
Step 1	579.96	579.60	565.90	473.40	526.76
---------------	--------	--------	--------	--------	--------

Hardware

Step 2	578.66	578.67
---------------	--------	--------



-  Side Bow Pivot Bracket
Part #579.96
Qty. 2
-  M5x0.8x25
Button Head
Socket Cap Screw
#579.60
Qty. 4
-  M5 Flat Washer
#565.90
Qty. 8
-  Plastic Bushing
#473.40
Qty. 8
-  M5 Nylon Lock Nut
#526.76
Qty. 4



Step 2

Attach the #2 Bow Link Assemblies #578.66 (right) and #578.67 (left) to the Side Bows on the Header Assembly. Make sure that the Bow Stop on each Bow Link Assembly faces out.

The Bow Links attach to the end of each Side Bow leg using one (1) M5x0.8x25 Button Head Socket Cap Screw #579.60, two (2) Bushings #473.40, two (2) M5 Flat Washers #565.90 and one (1) M5 Nylon Lock Nut #526.76 on each Side Bow Leg.

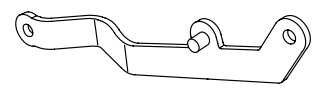
The Plastic Bushings go directly on either side of the Side Bow legs.

Step 1

Attach the Side Bow Pivot Brackets #579.96 to the Side Bows on the Header/Deck Assembly.



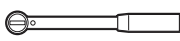

The Brackets attach to the end of each Side Bow using one (1) M5x0.8x25 Button Head Socket Cap Screw #579.60, two (2) Bushings #473.40, two (2) M5 Flat Washers #565.90 and one (1) M5 Nylon Lock Nut #526.76 on each Side Bow Leg.

The Plastic Bushings go directly on either side of the Side Bow legs.



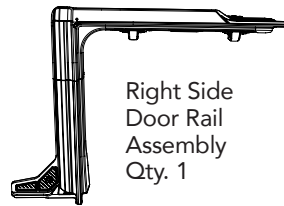
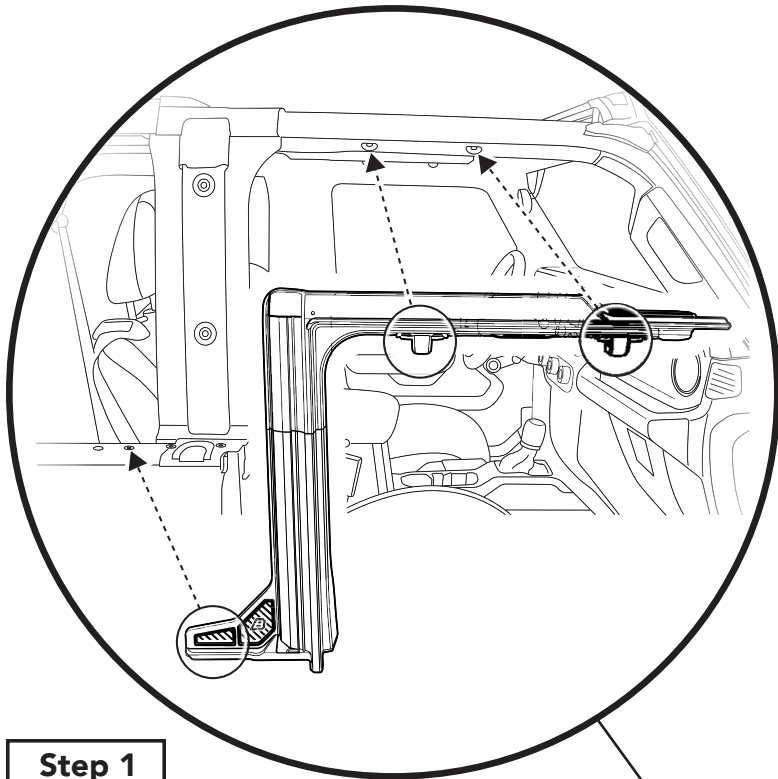
#2 Bow Link Assembly
Part #578.67 - Left (shown)
Part #578.66 - Right
Qty. 1 of each

Tools

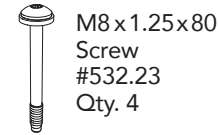
-  3mm Allen Wrench
-  8mm Wrench
- OR -
-  Socket Wrench
-  8mm Socket

Step 1 532.23 573.09

Hardware



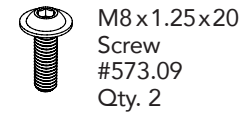
Right Side Door Rail Assembly Qty. 1



M8 x 1.25 x 80 Screw #532.23 Qty. 4



Left Side Door Rail Assembly Qty. 1



M8 x 1.25 x 20 Screw #573.09 Qty. 2

Tools



T40 Torx Driver

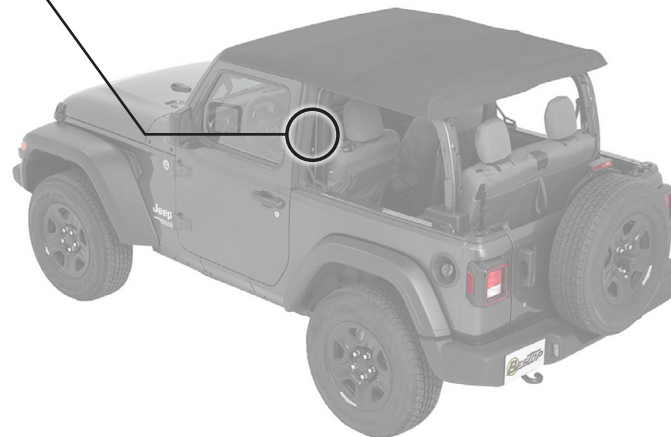
Step 1

Attach the Door Rail Assemblies to the Jeep. Place each Door Rail Assembly onto the Jeep as shown above.

Align the hole in the lower portion of the Assembly with the threaded hole in the Jeep belt rail, the alignment pin on the bottom of the Assembly with the receiving hole in the top of the belt rail, and the two integral brackets along the top of the Assembly with the through-holes in the Jeep Sport Bar.

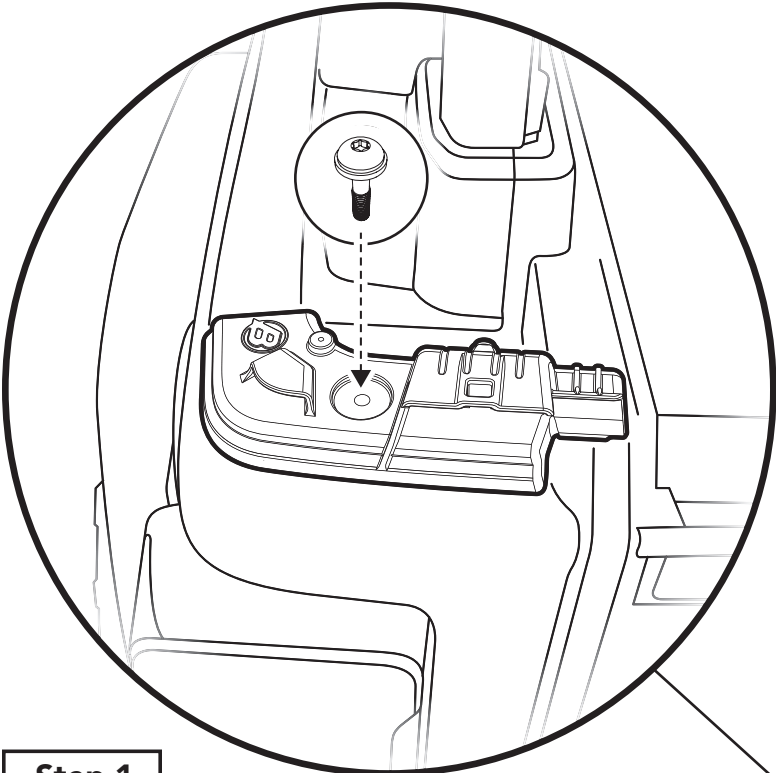
Insert two (2) M8x1.25x80 Screws #532.23 up from the bottom of the integral brackets and tighten.

Use one (1) M8x1.25x20 screw #573.09 on each Assembly to secure the Assembly to the Jeep belt rail.

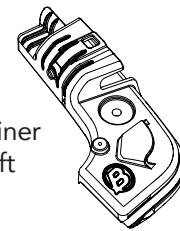


Step 1	575.38	575.39	532.17
---------------	--------	--------	--------

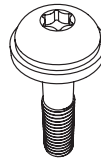
Hardware



Tailgate Bar Retainer
Part #575.38 - Right
Qty. 1



Tailgate Bar Retainer
Part #575.39 - Left
Qty. 1



M8x1.25x38
Button Head
Socket Cap Screw
#532.17
Qty. 2

Tools

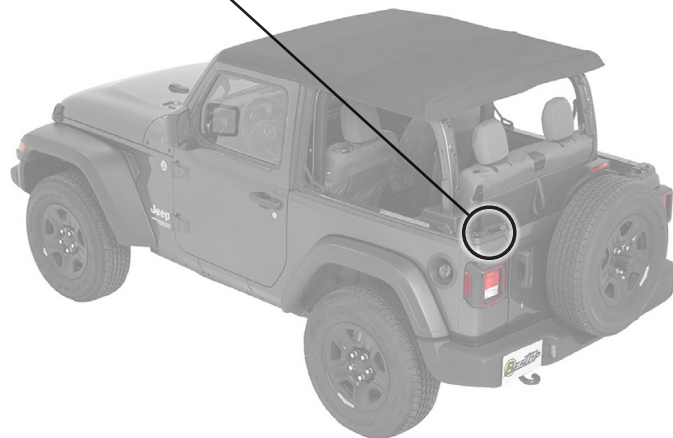


T50 Torx Driver

Step 1

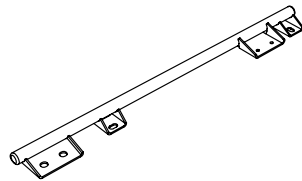
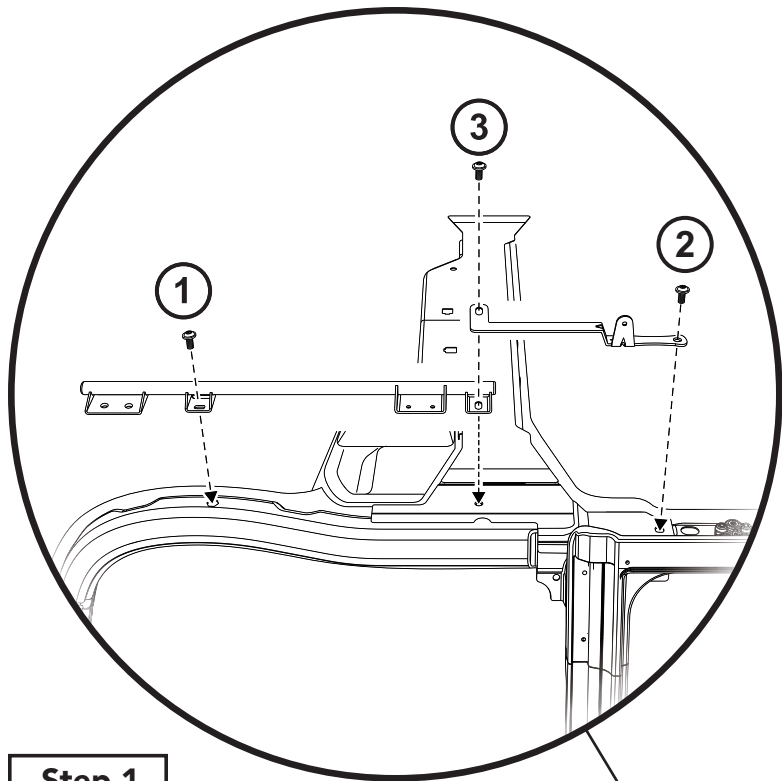
Attach the Tailgate Bar Retainers #575.38 (right) and #575.39 (left) to the Jeep Belt Rail, using one (1) M8x1.25x38 Button Head Socket Cap Screw #532.17 per retainer.

Insert the screws through the retainers, and into threaded holes in the top of the Jeep belt rail, and tighten.

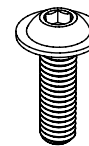


Step 1	566.78	566.79	585.46	585.47	573.09
---------------	--------	--------	--------	--------	--------

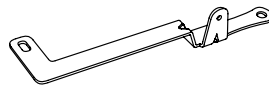
Hardware



#3 - #4 Bow Mount Bracket
Part #566.78 - Right (shown)
Part #566.79 - Left
Qty. 1



M8x1.25x20mm
Flanged Button Head
Cap Screw
#573.09
Qty. 6



#2 Bow Mount Bracket
Part #585.46 - Right (shown)
Part #585.47 - Left
Qty. 1

Tools



T40 Torx Driver

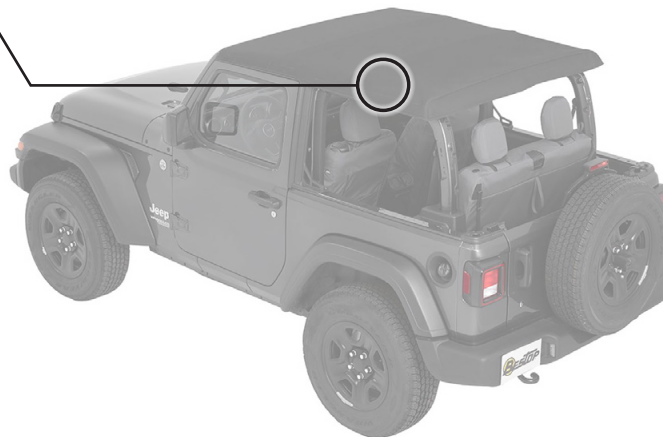
Step 1

Attach the #3-#4 Bow Mount Brackets #566.78 (right) and #566.79 (left), and the #2-Bow Mount Brackets #585.46 (right) and #585.47 (left) to the Jeep Sport Bar.

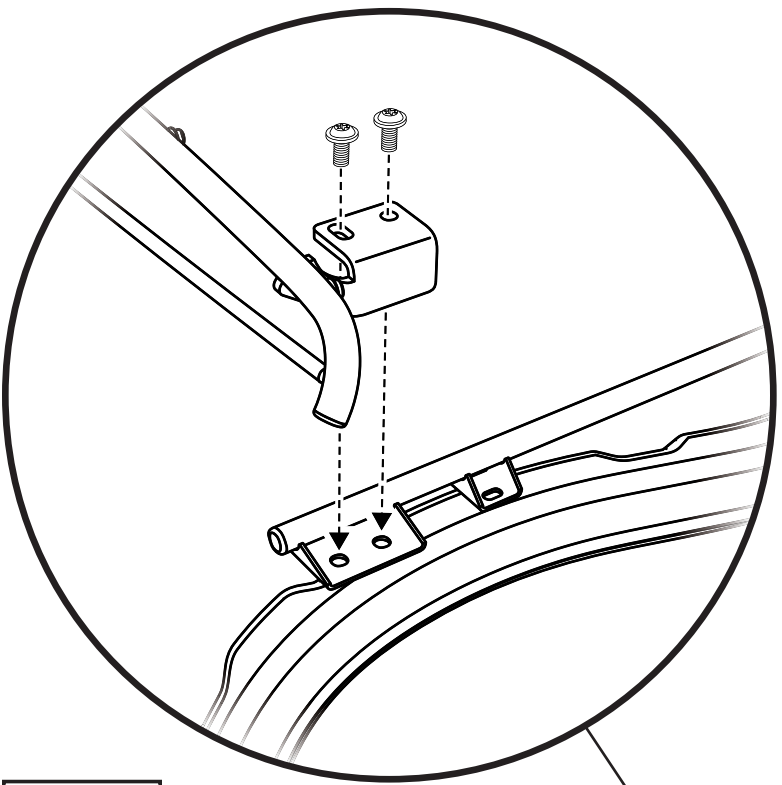
Secure the Brackets to the Sport Bar using three (3) M8x1.25x20mm Flanged Button Head Cap Screws #573.09 on each side of the Jeep.

The Bow Mount Brackets will share the middle fastener on each side of the Jeep.

Do not fully tighten fasteners at this time - tighten these fasteners only after all parts have been adjusted for fit, after Section 10, on page 16 of this guide.



Step 1 566.86 573.09



Step 1

Attach the #4 Bow #566.86 to the rear of the #3-#4 Bow Mount Bracket.

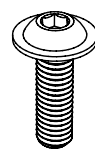
Secure the #4 Bow to the Brackets using two (2) M8x1.25x20mm Flanged Button Head Cap Screws #573.09 on each side of the Jeep.

Do not fully tighten fasteners at this time - tighten these fasteners only after all parts have been adjusted for fit, after Section 10, on page 16 of this guide.

Hardware



#4 Bow Assembly
Part #566.86
Qty. 1

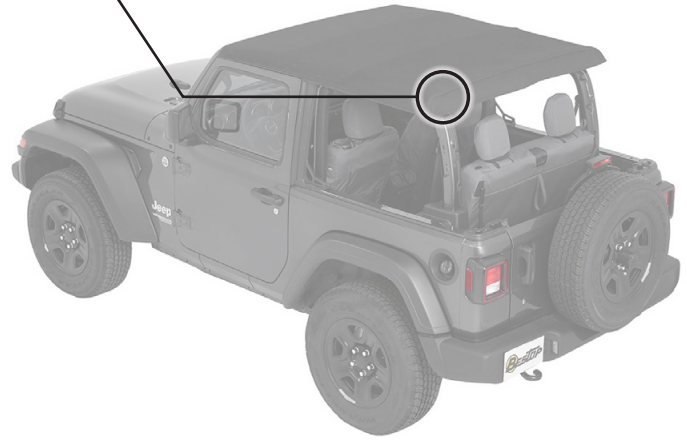


M8x1.25x20mm
Flanged Button Head
Cap Screw
#573.09
Qty. 4

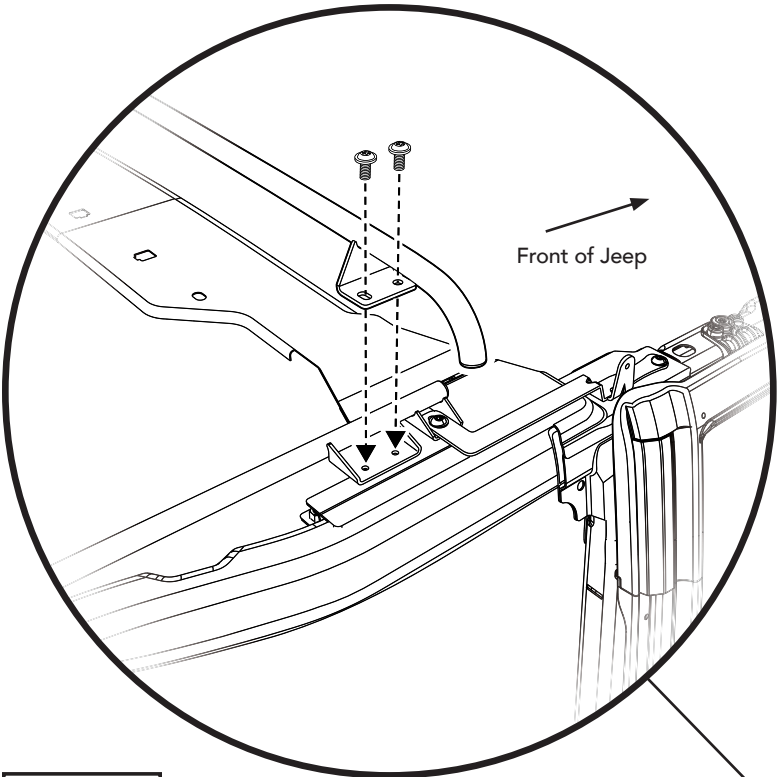
Tools



T40 Torx Driver



Step 1 578.98 531.49



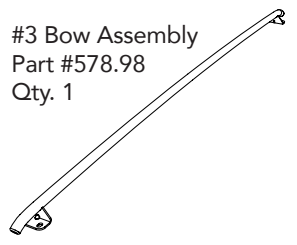
Step 1

Attach the #3 Bow #578.98 to the #3-#4 Bow Mount Brackets.

Secure the #3 Bow to the top of the Bow Mount Brackets using two (2) M5x0.8x12mm Flanged Button Head Cap Screws #531.49 on each side of the Jeep.

Do not fully tighten fasteners at this time - tighten these fasteners only after all parts have been adjusted for fit, after Section 10, on page 16 of this guide.

Hardware



#3 Bow Assembly
Part #578.98
Qty. 1

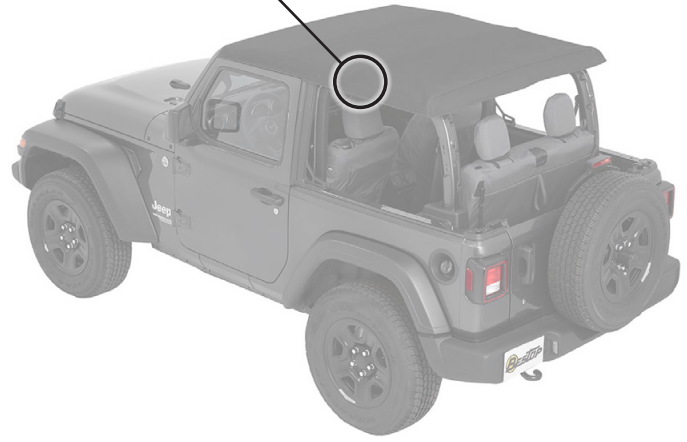


M5x0.8x12
Flanged Button
Head Cap Screw
#531.49
Qty. 4

Tools



4mm Allen
Wrench



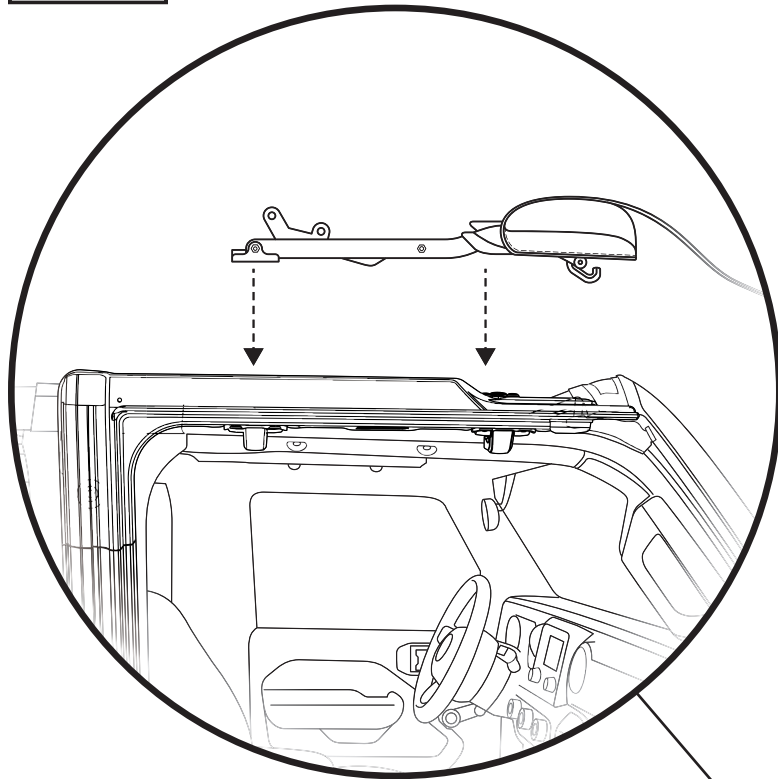
Step 1

Hardware

Step 2

517.63

515.81

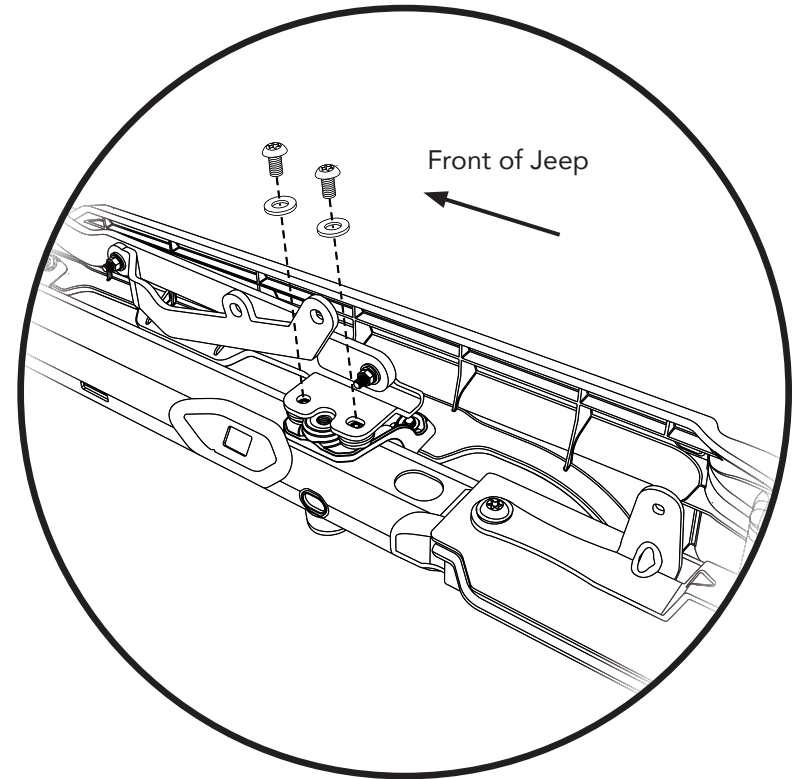


M6x1x15
Button Head
Socket Cap Screw
#517.63
Qty. 4

M6 Flat Washer
#515.81
Qty. 4

Tools

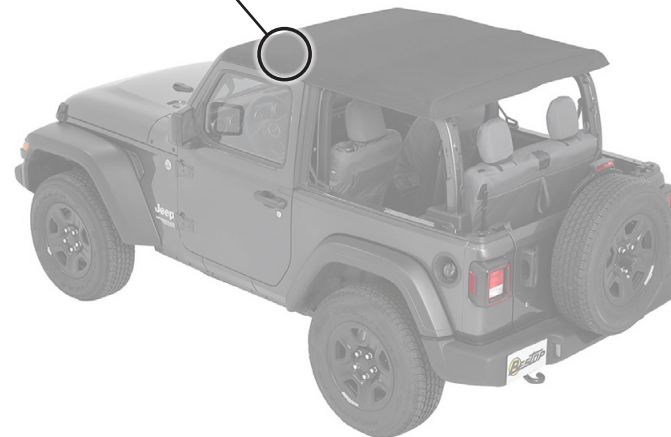
4mm Allen
Wrench



Step 1

Place the Header and fabric on the Jeep windshield header, laying the fabric across the windshield and hood of the Jeep.

Align the Pivot Bracket holes with the holes in the rear sport bar clamps on the Door Rails.



Step 2

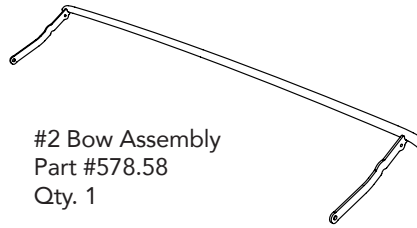
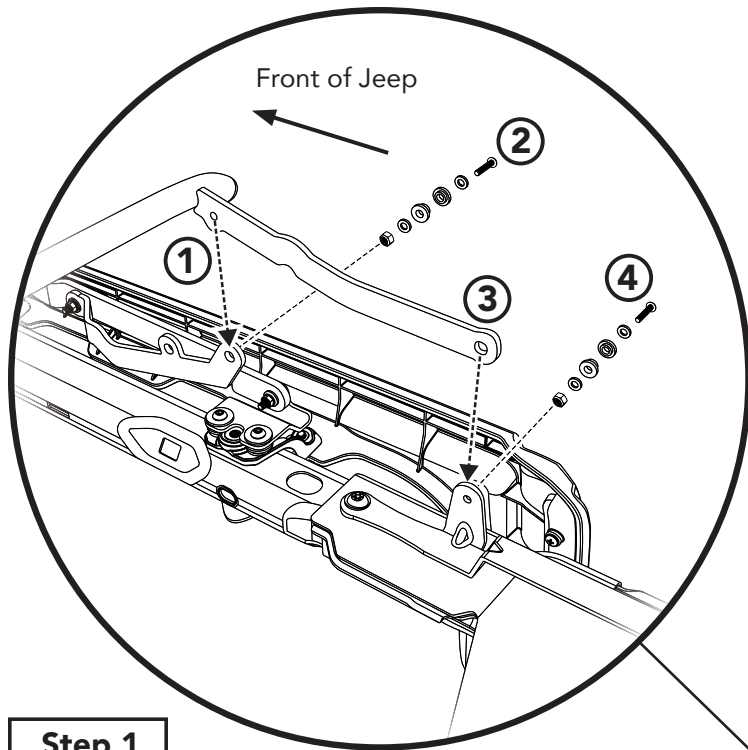
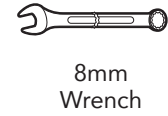
Secure the Pivot Brackets to the Door Rails using two (2) M6x1x15 Button Head Socket Cap Screws #517.63 and two (2) M6 Flat Washers #515.81 on each side of the Jeep.

Do not fully tighten fasteners at this time - tighten these fasteners only after all parts have been adjusted for fit, after Section 10, on page 16 of this guide.

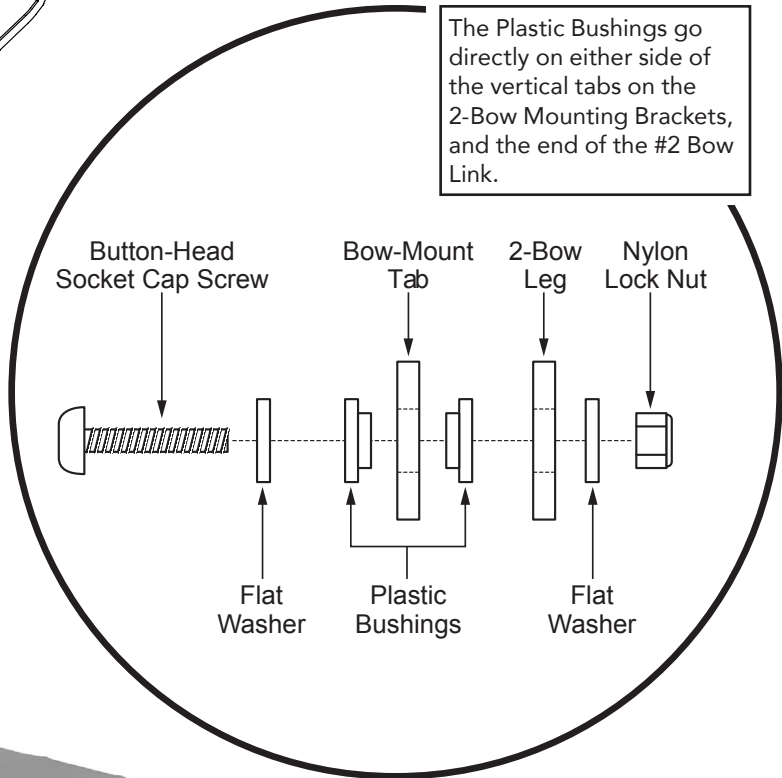
Step 1	578.58	579.60	565.90	473.40	526.76
---------------	--------	--------	--------	--------	--------

Hardware

Tools



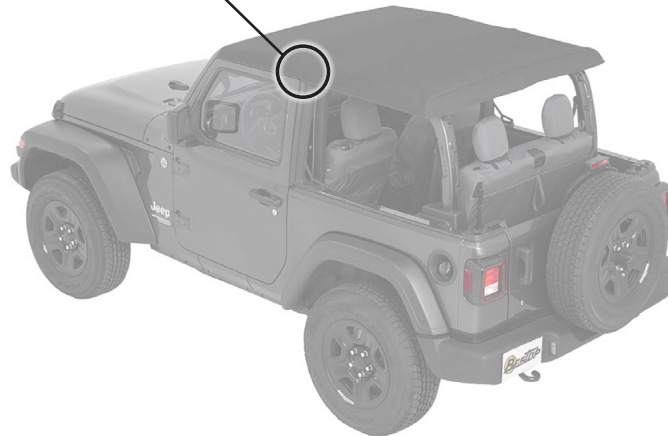
Detail



Step 1

- ① Place the #2 Bow so that each Bow leg is on the inside of the #2 Bow Link Assemblies.
- ② Secure each Bow Leg to the Bow Link using one (1) M5x0.8x25 Button Head Socket Cap Screw #579.60, two (2) Bushings #473.40, two (2) M5 Flat Washers #565.90 and one (1) M5 Nylon Lock Nut #526.76 on each Side.
- ③ Place the end of each Bow Leg on the outside of the #2-Bow Mount Bracket vertical tabs.
- ④ Secure each Bow Leg to the Bracket using one (1) M5x0.8x25 Button Head Socket Cap Screw #579.60, two (2) Bushings #473.40, two (2) M5 Flat Washers #565.90 and one (1) M5 Nylon Lock Nut #526.76 on each Side.

- M5x0.8x25 Button Head Socket Cap Screw #579.60 Qty. 4
- M5 Flat Washer #565.90 Qty. 8
- Plastic Bushing #473.40 Qty. 8
- M5 Nylon Lock Nut #526.76 Qty. 4

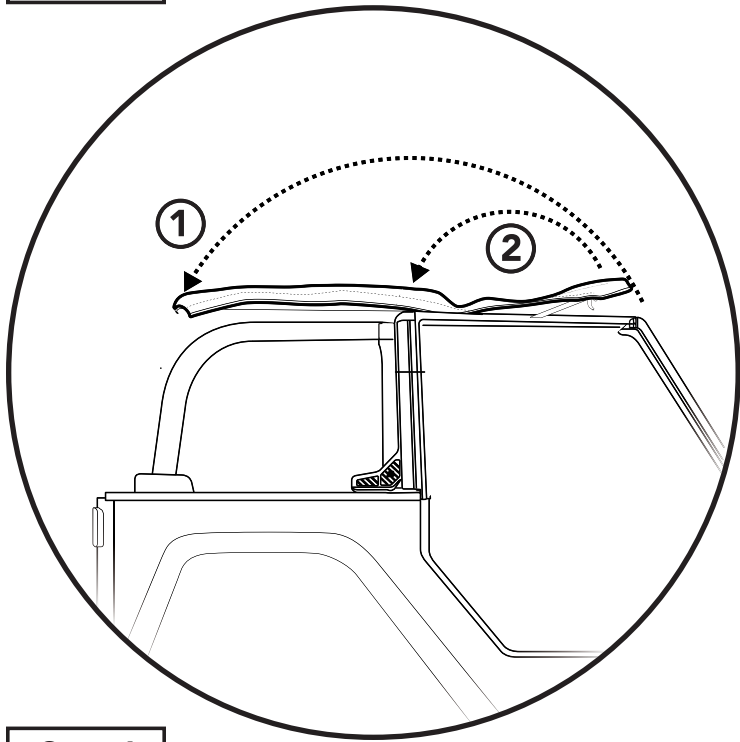


Step 2

Tighten all fasteners which you have not fully tightened at this point in the installation.

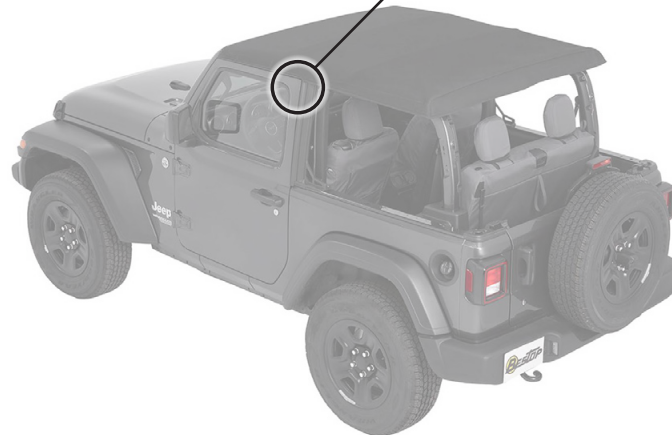
See Detail for correct fastener placement.

Step 1

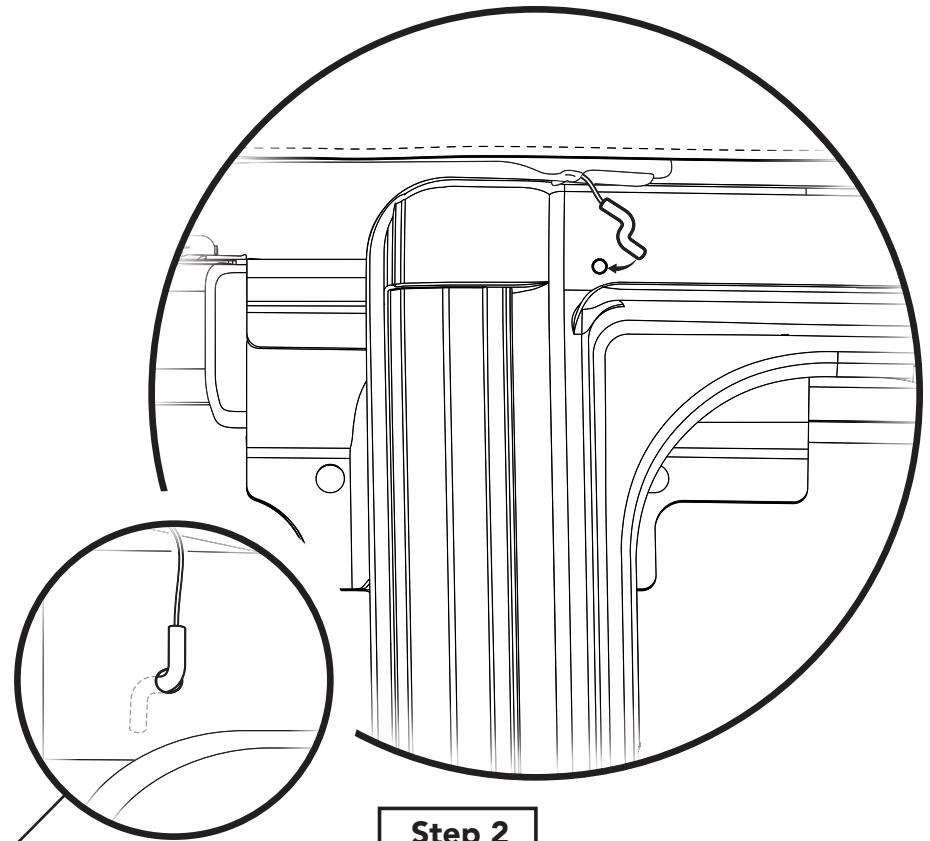


Step 1

- ① Drape the Top Fabric over the top of the Jeep Sport Bars, and the #2, #3 and #4 Bows.
- ② Open the Sunrider. Fold the Sunrider back from the front pivot point, resting the front portion of the top on the rear portion.



Step 2



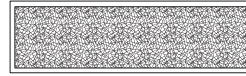
Step 2

Locate the Z-Clips, which extend out from the edge of the top fabric just above the Door Rail on each side of the Jeep.

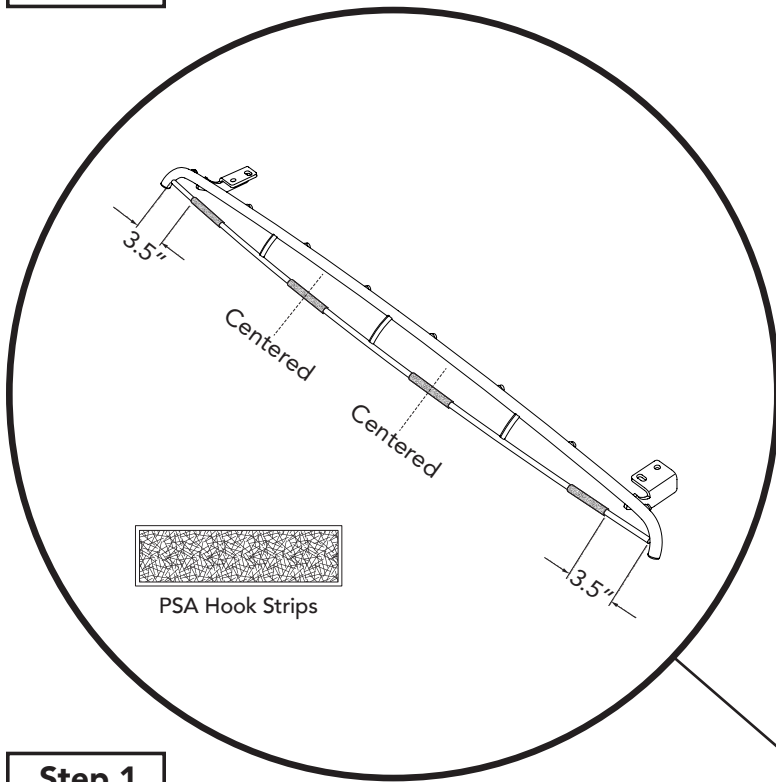
Attach the Z-Clips to the Door Rails by inserting the end of the clip into the hole in each Door Rail.

Step 1

Hardware



3.5x1" PSA Hook Strip
#547.51
Qty. 4

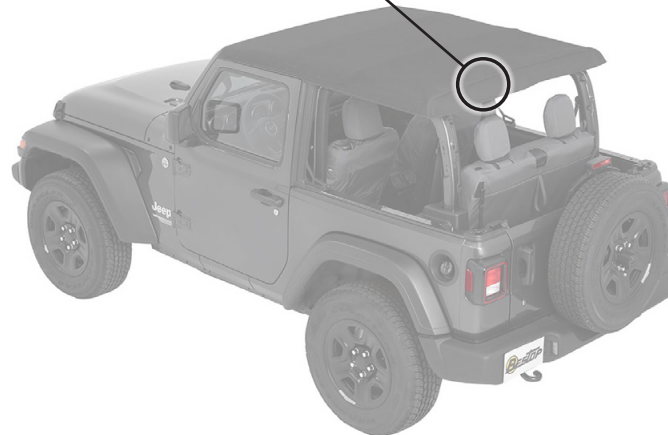


Step 1

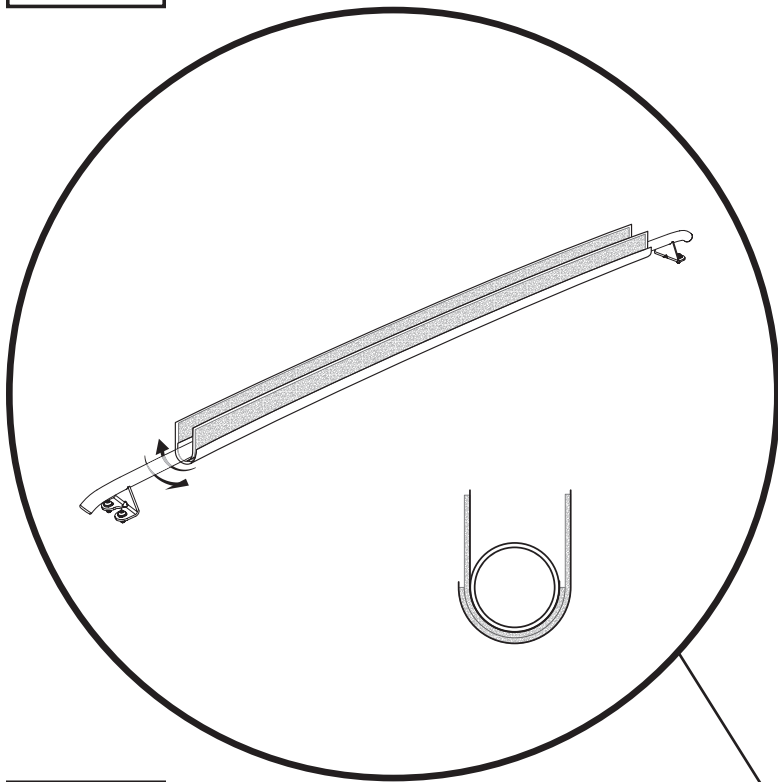
Attach the PSA Hook Strips #547.51 to the #4 Bow.

Remove the adhesive liner from each strip, and wrap the PSA Hook Strips around the cross-bars of the #4 Bow as shown above.

The outer strips should be placed 3.5" from the end of the #4 Bow. The inner strips should be centered in the portion of the cross bar between the connecting bars.



Step 1



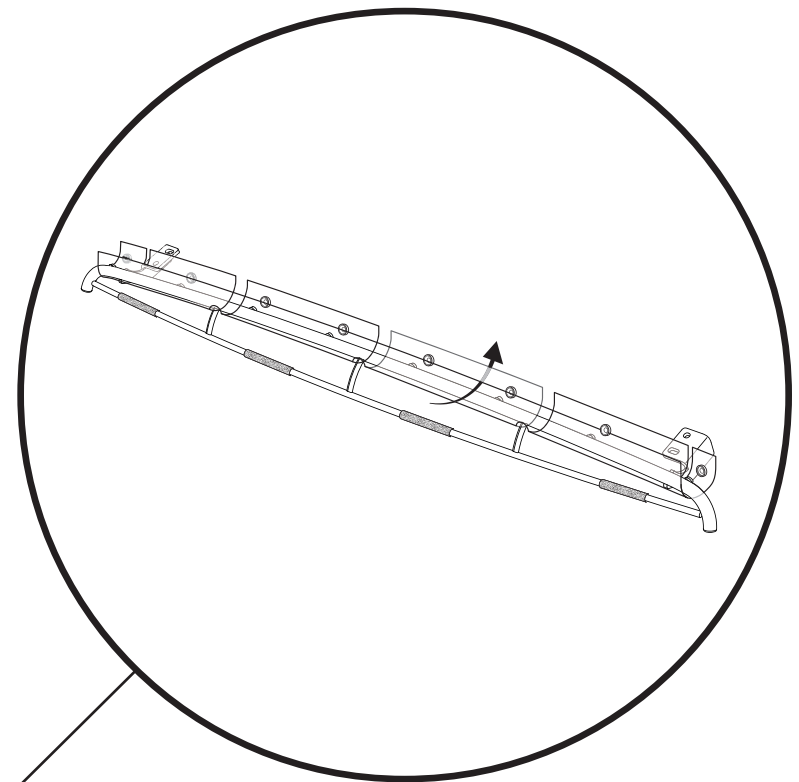
Step 1

Flip the rear of the fabric deck forward for easier access.

Locate the two fabric flaps sewn to the inside of the fabric top just above the #3 Bow.

Wrap these flaps around the #3 Bow so that the Hook side of one flap attaches to the Loop side of the other flap.

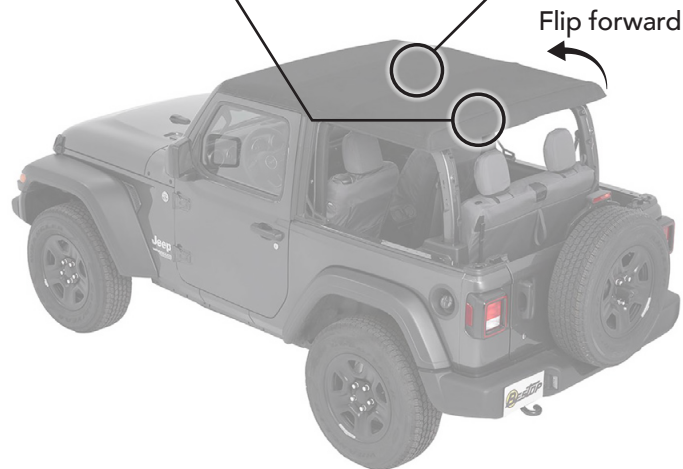
Step 2



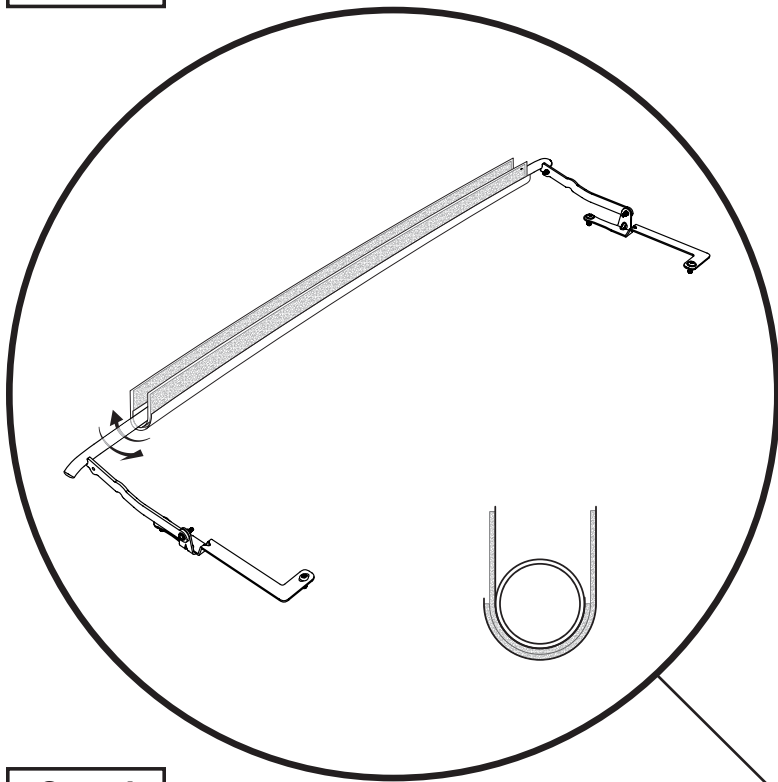
Step 2

With the rear of the fabric deck flipped forward, locate the four flaps sewn to the inside of the fabric top just above the #4 Bow.

Wrap these flaps around the #4 Bow from back-to-front, and snap to the snaps on the front side of the #4 Bow.



Step 1

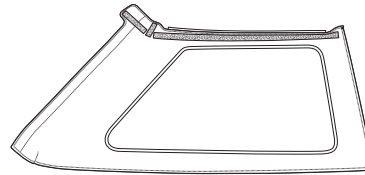


Step 1

Locate the two fabric flaps sewn to the inside of the fabric top just above the #2 Bow.

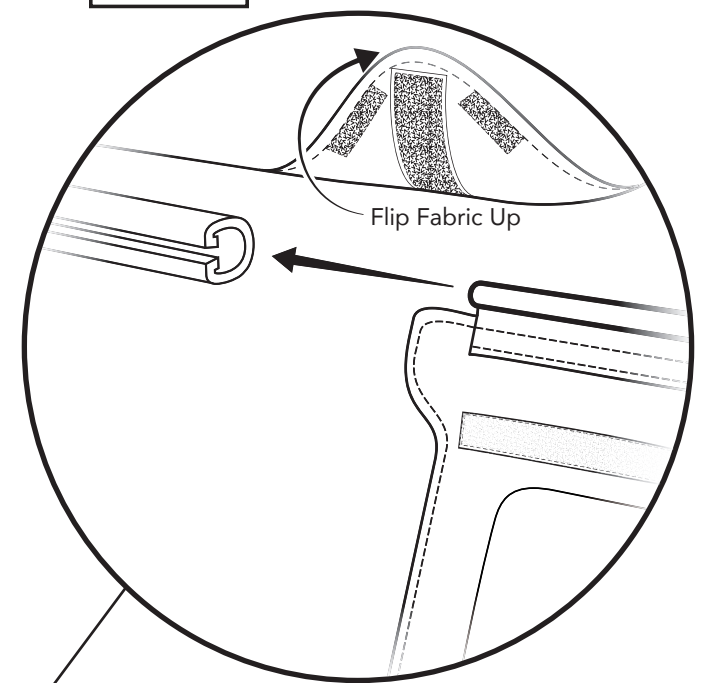
Wrap these flaps around the #2 Bow so that the Hook side of one flap attaches to the Loop side of the other flap.

Hardware



Quarter Windows
Left and Right
Qty. 1 of each

Step 2



Step 2

Attach the Quarter Windows.

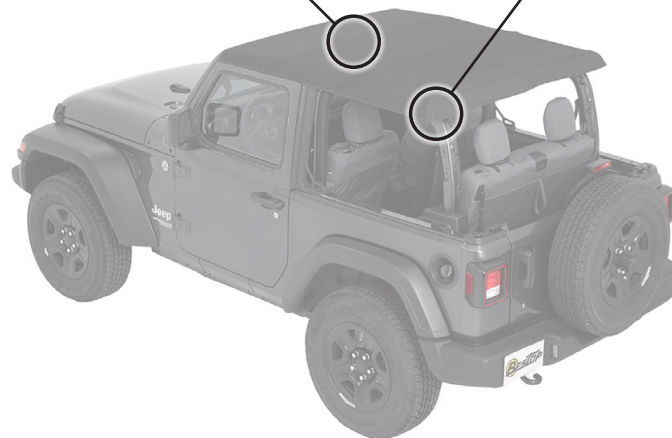
Locate the plastic channel along the left side edge of the top fabric, behind the left Rear Door Rail.

Lift up the fabric top for access to the plastic channel.

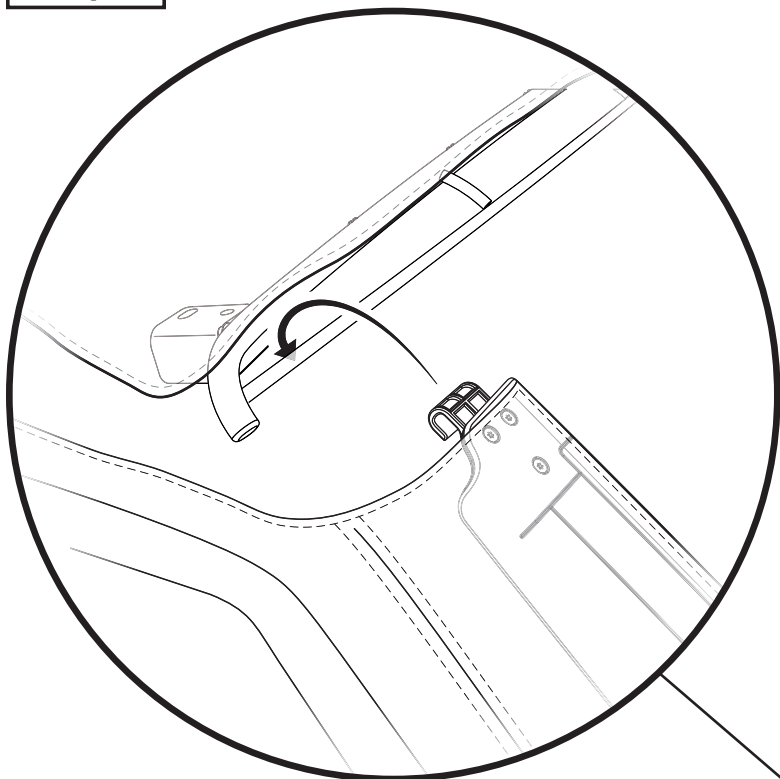
Insert the tip of the sewn-in plastic tube at the top edge of the left Quarter Window into the open end of the rear of the channel sewn onto the bottom edge of the top fabric.

Slide the Quarter Window forward until the front portion of the window is aligned with the rear edge of the Rear Door Rail.

Repeat on the right Side Quarter Window.



Step 1



CAUTION

When installing or removing the J-Hook, **DO NOT FORCE** the J-Hook into or out of position.

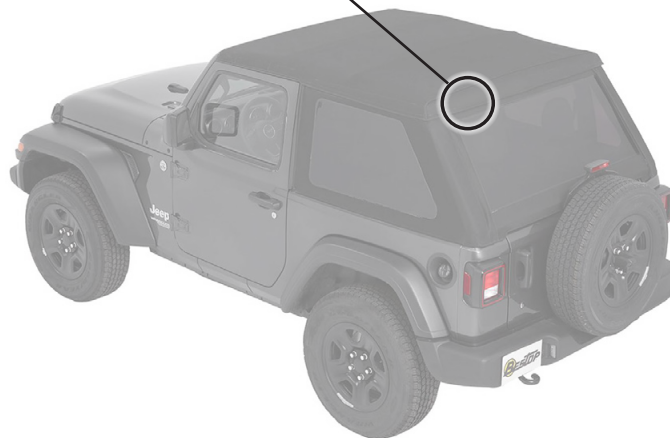
Start from the inside and move towards the outside to install. When removing, slide towards the center before lifting.

Step 1

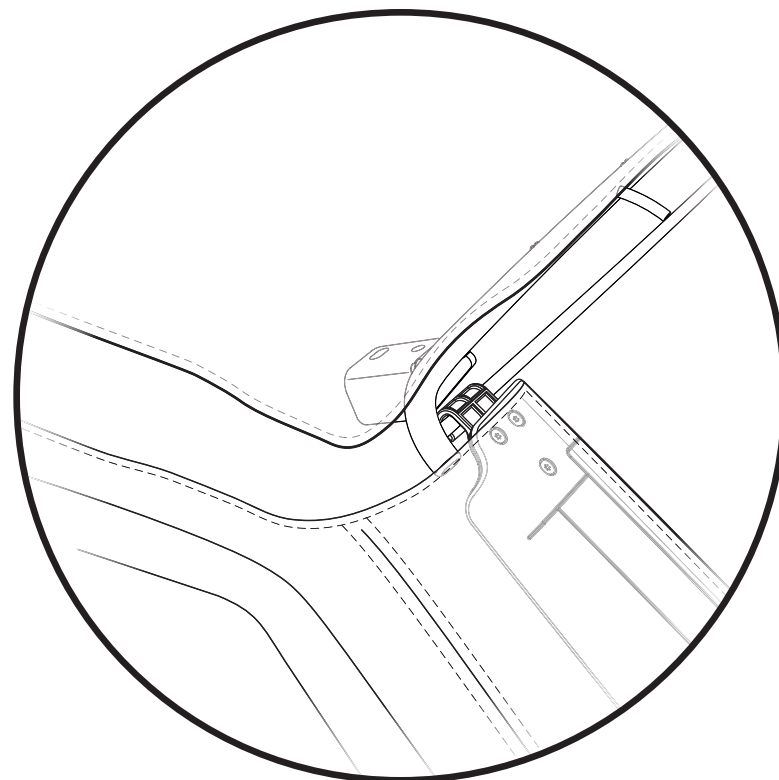
Attach the Quarter Window Stiffeners (attached to the inside of each Quarter Window) to the #4 Bow cross bar.

Clip the Stiffener J-Hooks over the #4-Bow cross bar, and make sure they are located all the way to the outside of the #4 Bow on each side.

It may be easier to attach each J-hook to the cross bar by rotating the Stiffener just a bit side-to-side to allow the J-Hook to slide over the cross bar.



Step 2

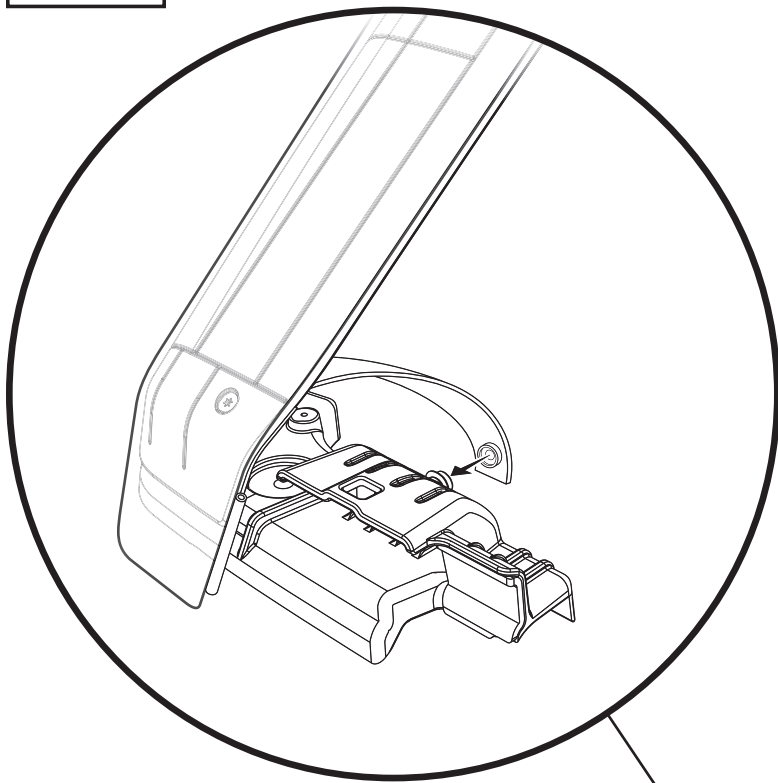


Step 2

Correct location for the left side Quarter Window and Stiffener shown.

Attach Quarter Window Stiffener to #4 Bow cross bar on both sides of the Jeep.

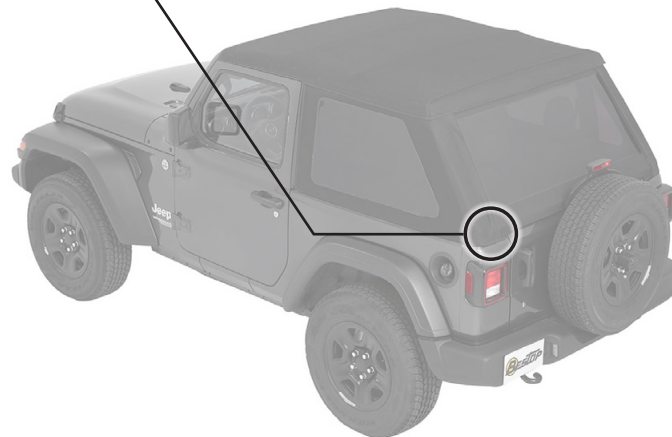
Step 3



Step 3

Secure the Quarter Window Stiffeners to the Tailgate Retainers.

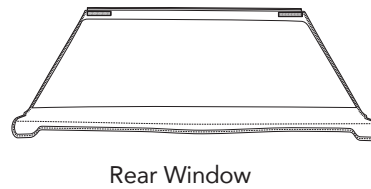
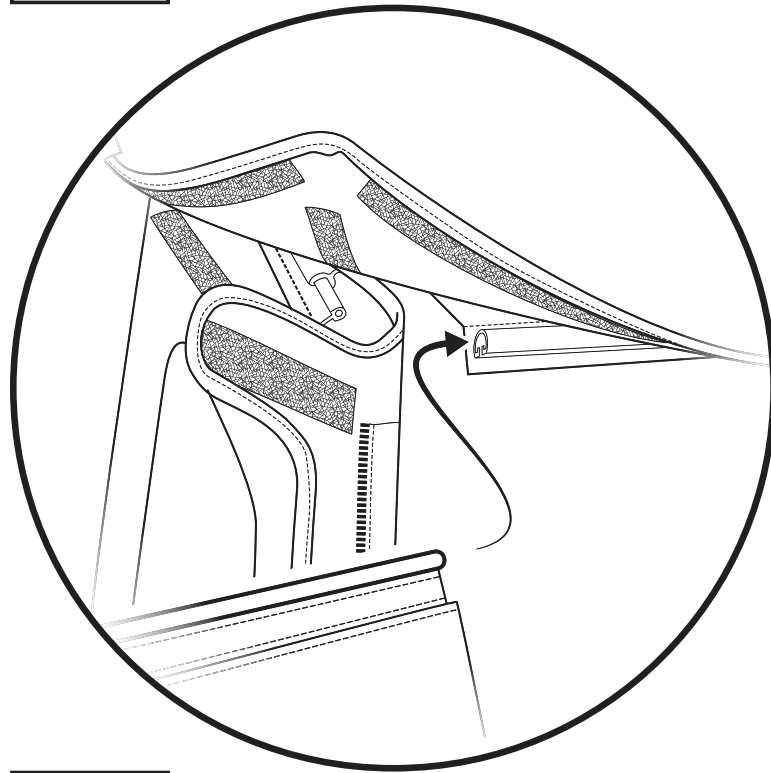
Locate the strap attached to the inside of each Stiffener. Snap the loose end of this strap to the snap located on the inside of each Tailgate Retainer.



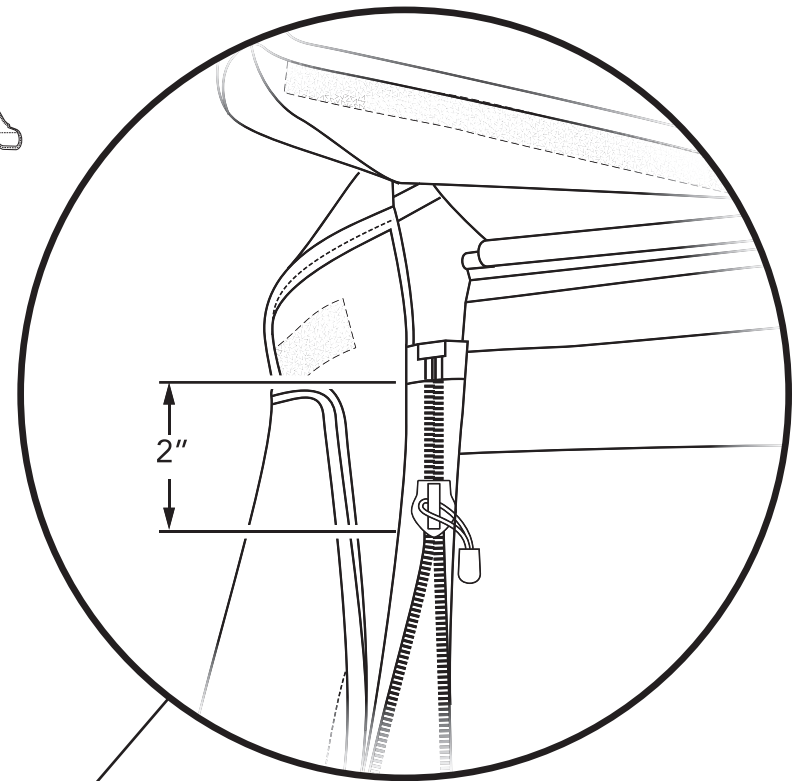
Step 1

Hardware

Step 2



Rear Window



Step 1

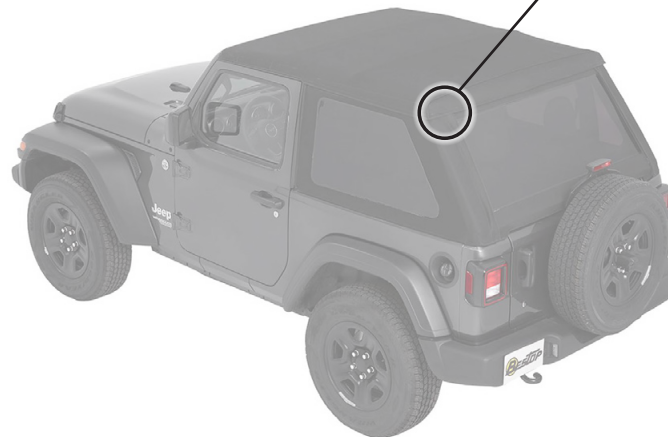
Lift up the corners of the Top Fabric to expose the Rear Window attachment channel.

Insert the tip of the sewn-in plastic tube at the top right corner of the Rear Window into the left-side open end of the channel sewn onto the bottom edge of the top fabric, and slide the Rear Window to the right until it meets the right side Quarter Panel Stiffener.

Step 2

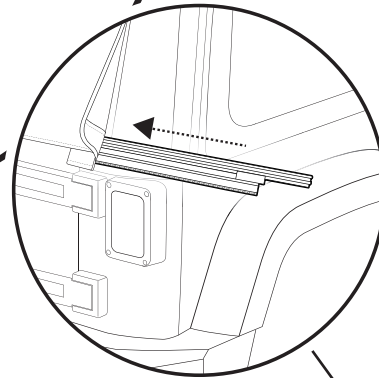
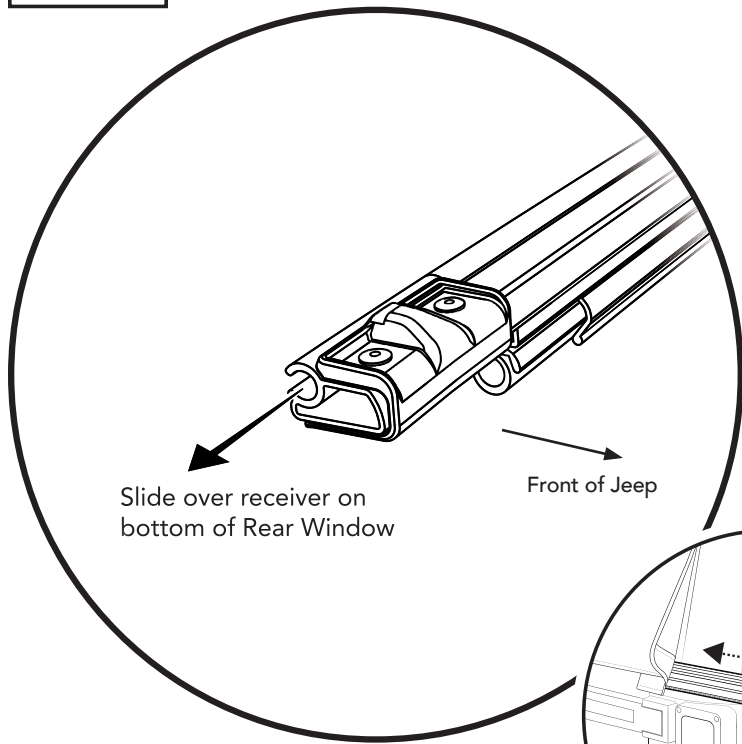
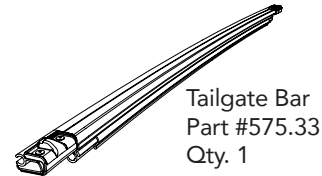
Lift up the corners of the Top Fabric to expose the zippers on the Quarter Windows and on the Rear Window.

Zip the first 2" of the Quarter Windows to the Rear Window on each side of the Jeep.



Step 1

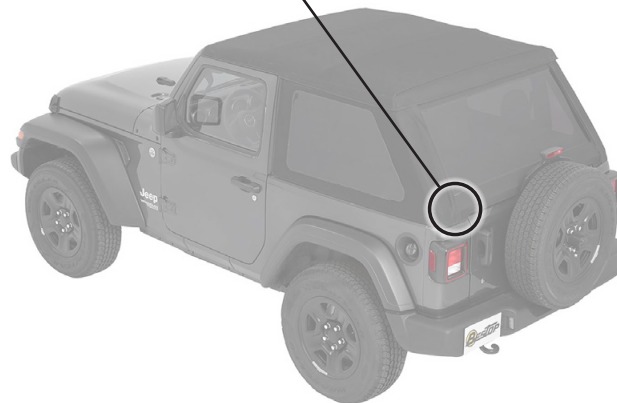
Hardware



Step 1

Attach the Tailgate Bar #575.33 to the Rear Window.

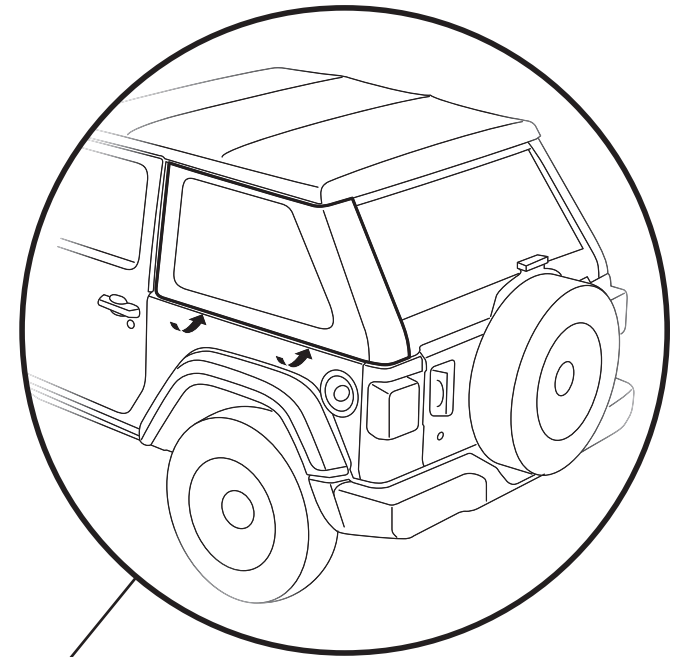
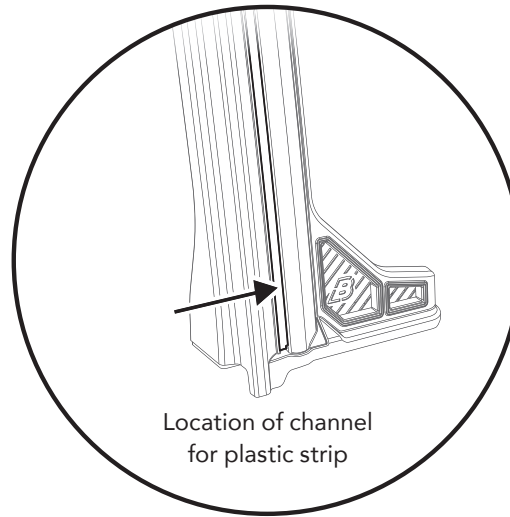
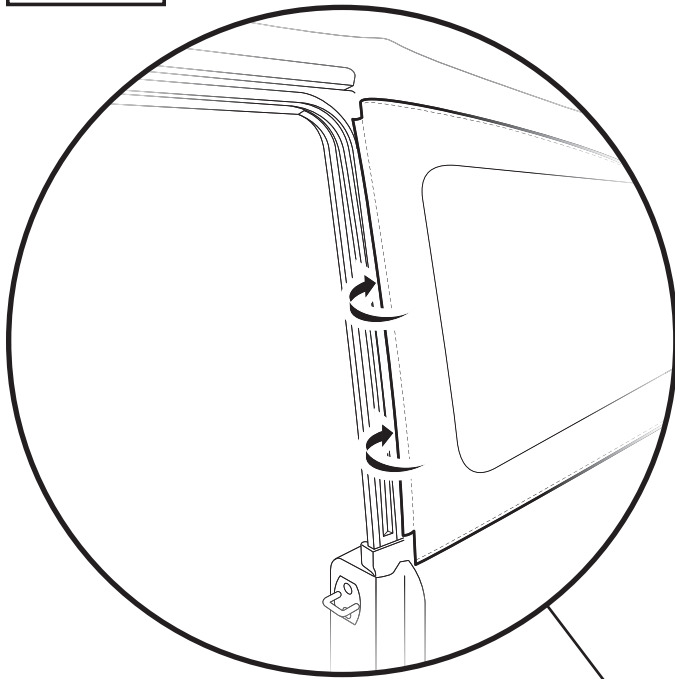
Slide the Tailgate Bar channel over the sewn-in receiver tube on the lower inside of the Rear Window.



Step 1

Detail

Step 2



Step 1

Locate the the sewn-in plastic strip along the front edge of the left Quarter Window.

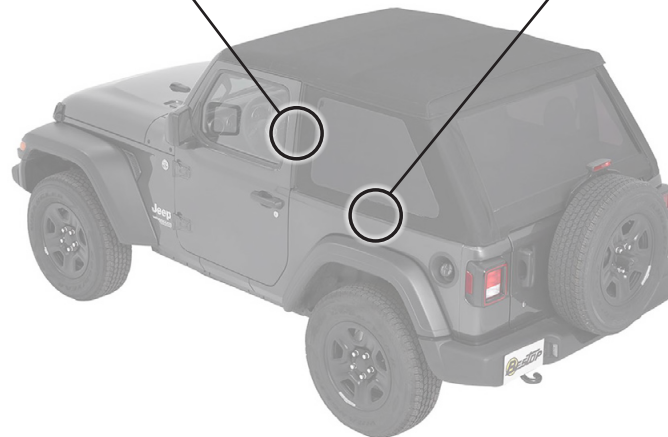
Tuck this plastic strip into the vertical channel along the outside face of the left Rear Door Rail.

See Detail for location of the correct channel.

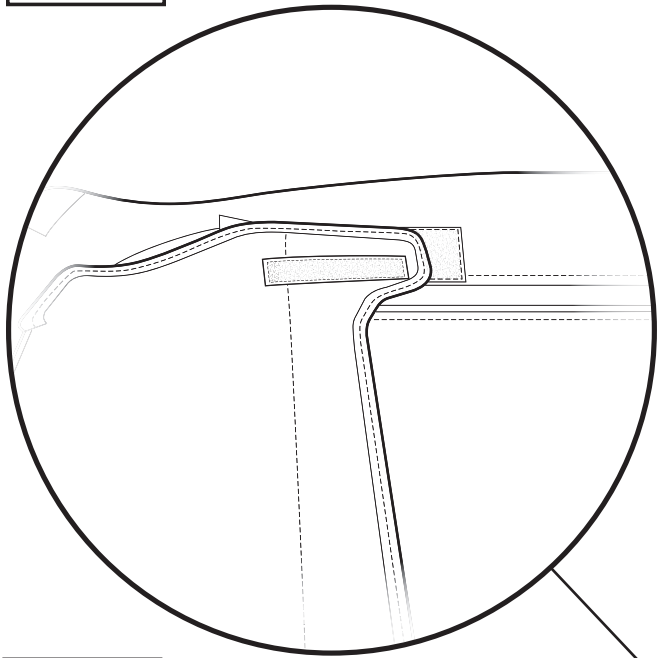
Step 2

Tuck the plastic strip along the bottom edge of the left Quarter Window under the Jeep belt rail, by rolling it up underneath the belt rail, beginning at the rear, and working your way forward.

Repeat on the right Quarter Window.



Step 1



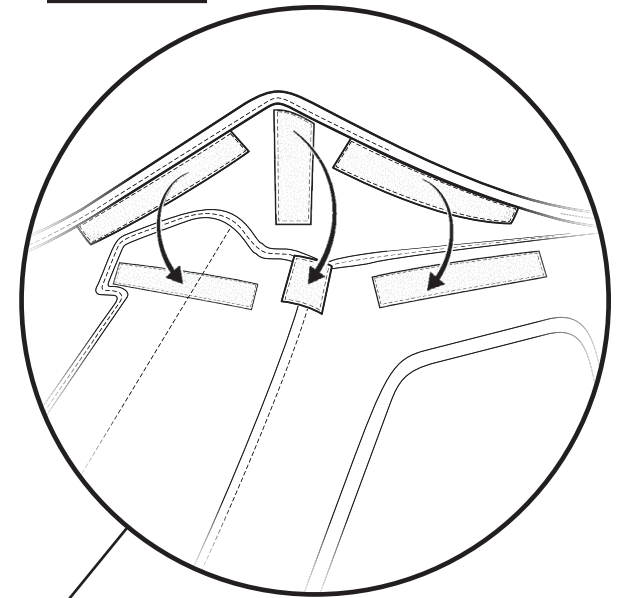
Step 1

Locate the hook and loop strip at the left rear corner of the top fabric.

Attach the flap at the top corner of the left Quarter Window to the hook and loop strip.

Repeat on the right side of the Jeep.

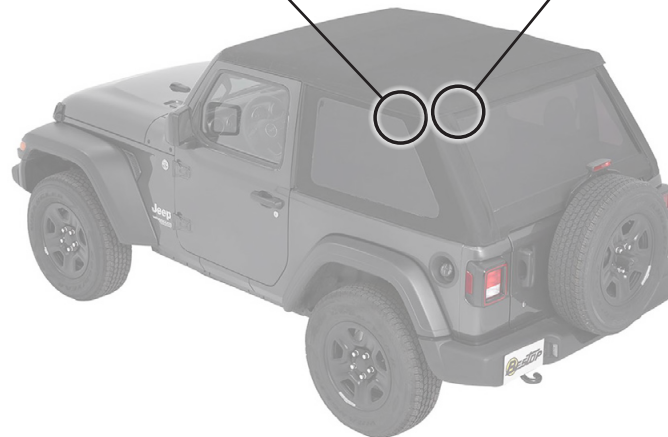
Step 2



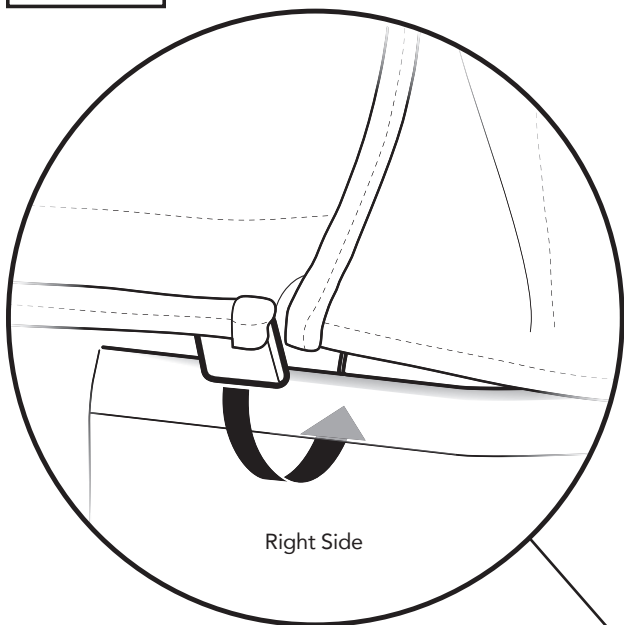
Step 2

Locate the Hook & Loop strips at the rear corners of the top fabric.

Snug the rear corners of the top by attaching the Hook & Loop strips on the underside of the top fabric to the strips along the top edges of the Quarter Window and Rear Window corners.

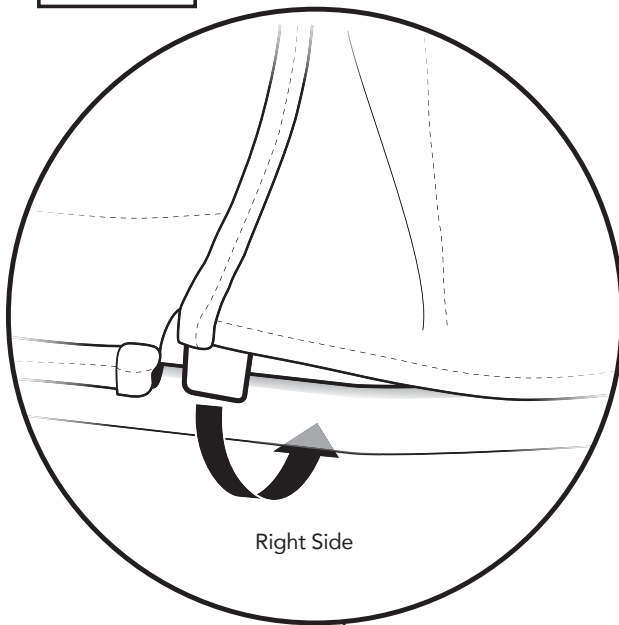


Step 1



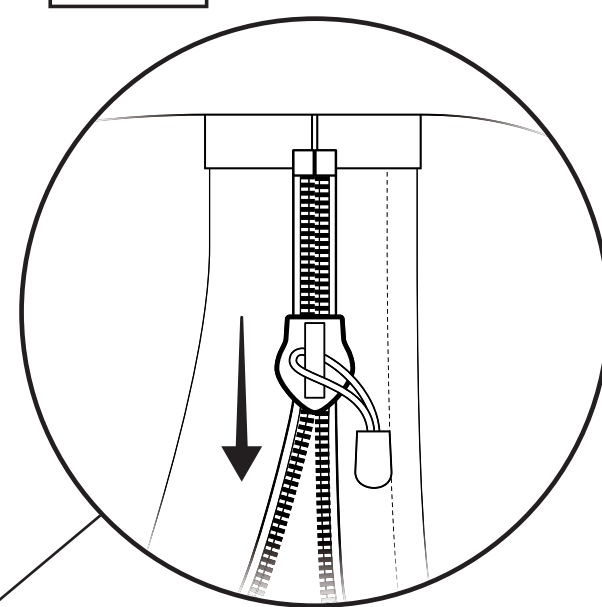
Right Side

Step 2



Right Side

Step 3



Step 3

Finish zipping the Quarter Windows and Rear Window together completely.

Step 1

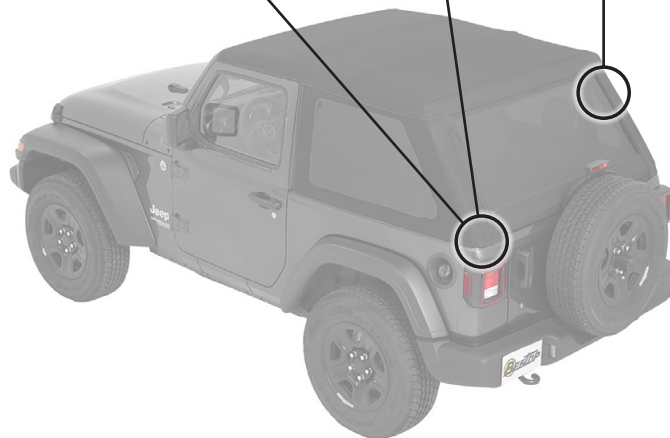
Tuck the plastic tabs at the bottom corners of the Rear Window under the Jeep belt rail.

Roll the tabs up underneath the belt rail.

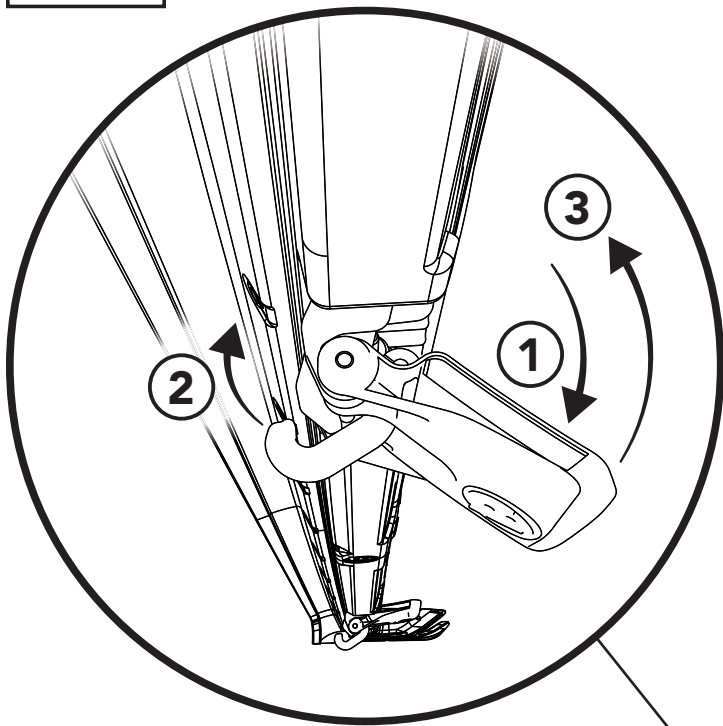
Step 2

Tuck the plastic tab at the bottom rear corner of each Quarter Window under the Jeep belt rail.

Roll the tab up underneath the belt rail.



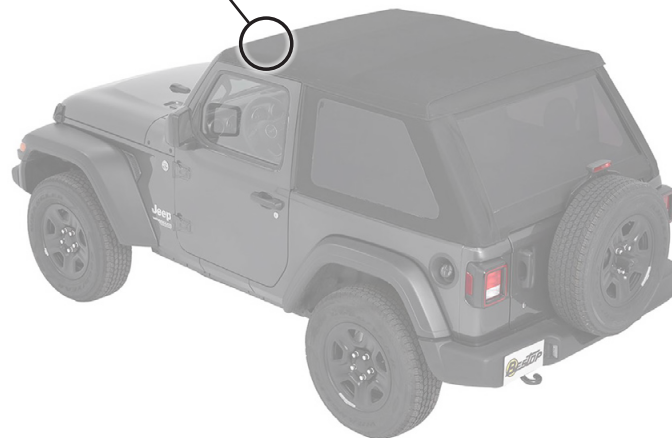
Step 1



Step 1

Fold the Sunrider closed and secure both latches to the vehicle's windshield header.

- ① Pivot the latch handle down;
- ② Engage the hook;
- ③ Pivot the latch handle back up.





Warranty Information Trek Top 2-Door

Vehicle Application:
Jeep® Wrangler 2-Door JL 2018-Current
Part Number 56862

WHAT BESTOP WARRANTS

Subject to the terms and conditions of sale, including any terms and conditions set forth by Bestop, Inc. (“Bestop” or “us” or “we”) in our then-current terms of sale on our website (collectively, the “Terms”), Bestop represents and warrants that: the covered products listed in the “Covered Products and Warranty Periods” section (a “Product”) will substantially be free from defects in materials and workmanship for the specified warranty periods set forth in that section.

THE WARRANTY IS LIMITED AND CONDITIONAL

This warranty applies to the original purchaser of the Product only. The warranty is valid only as long as the original retail purchaser owns the vehicle upon which the Product is installed. The warranty expires should the Product be removed from the original vehicle or if the original vehicle is transferred to another owner.

This warranty is not transferable or assignable. The warranty does not apply to Product bought from auction-style or price-bid websites.

THE LIMITED WARRANTY AND STATED REMEDIES ARE SOLE AND EXCLUSIVE AND IN LIEU OF ALL OTHER WARRANTIES AND REMEDIES, AND COMPANY EXPRESSLY DISCLAIMS ALL IMPLIED OR STATUTORY OR OTHER WARRANTIES, INCLUDING WITHOUT LIMITATIONS WARRANTIES OF MERCHANTABILITY, NON-INFRINGEMENT OR FITNESS FOR A PARTICULAR PURPOSE. IN NO EVENT WILL COMPANY BE LIABLE FOR ANY SPECIAL, INCIDENTAL, CONSEQUENTIAL, PUNITIVE, INDIRECT OR EXEMPLARY DAMAGES OF ANY KIND, INCLUDING LOST PROFITS OR REVENUE, HOWEVER CAUSED, WHETHER FOR BREACH OR REPUDIATION OF CONTRACT, TORT, BREACH OF WARRANTY, NEGLIGENCE, OR OTHERWISE, WHETHER OR NOT COMPANY WAS ADVISED OF THE POSSIBILITY OF SUCH LOSS OR DAMAGES.

Some states do not allow exclusion or limitation, so this may not apply to you. This warranty gives you specific legal rights, and you may have other rights which vary from state to state.

EXCLUSIONS TO THE WARRANTY

The Limited Warranty excludes, and Bestop is not liable in any way for any warranty claims, damages, or defects related to:

- Misuse, abuse, accidents, vandalism, negligence, fire, or improper installation or modification, or improper or inadequate maintenance;
- Failure to comply with any Product documentation, Bestop instructions, or applicable law or regulations; use in extreme conditions
- Force Majeure including but not limited to, earthquake, hurricane, tornado, flooding, or other disasters natural or man-made, civil unrest, strikes, declared or undeclared war, or lack of performance by, or discontinued product of, supply chain partners whose products, software, operations or management is beyond the control of Bestop;
- Damage resulting in breakage (including without limitation, spontaneous breakage, accidental breakage or breakage by any other means) of a Product or any component part;
- Damage to vinyl windows due to misuse, or cracking due to varying weather conditions.

YOUR SOLE REMEDY

During the applicable warranty period, Bestop shall, at its option, either repair or replace any Product that it confirms, in its discretion, is non-compliant with the warranties herein. Bestop will not pay for labor charges associated with installation or removal of the Product. Should a specific Product be discontinued, Bestop may, at its option, replace the discontinued Product with a current product or like product.

Please retain your proof of purchase. Original proof of purchase for the Product must accompany any warranty claim. If you have a warranty claim, first you must email Bestop Customer Service at csbestop@bestop.com for instructions. All claims must be emailed to csbestop@bestop.com within 30 days of discovery of a defective Product, but in no event later than thirty days after the end of the applicable Warranty Period (the “Warranty Notice Period”). Warranty claims made after the Warranty Notice Period are null and void and Bestop shall have no responsibility with respect to such claims.

THIS SECTION SETS FORTH BESTOP’S SOLE OBLIGATION & YOUR SOLE REMEDY WITH RESPECT TO ANY DEFECTS OR OTHER PRODUCT ISSUE. ANY PRODUCTS REPLACED UNDER TERMS OF THIS WARRANTY WILL BE COVERED UNDER TERMS & BALANCE OF THE DURATION OF THE ORIGINAL LIMITED WARRANTY FOR SUCH PRODUCT.



Warranty Information Trek Top 2-Door

Vehicle Application:
Jeep® Wrangler 2-Door JL 2018-Current
Part Number 56862

COVERED PRODUCTS AND WARRANTY PERIODS: The warranty time periods are as follows for Products manufactured by Bestop:

BESTOP® LIMITED LIFETIME WARRANTY

Trektop® Pro Twill Fabric Top Sunrider® for Hardtop Twill Fabric Top
Trektop® NX Glide Twill Fabric Top Replace-a-Top™ Twill Fabric Top
Trektop® NX Twill Fabric Top Supertop® NX Twill Fabric Top
EZFold™ Soft Tonneaus Floor & Cargo Liners
ZipRail™ Soft Tonneaus Pet Barriers
EZRoll™ Soft Tonneaus

BESTOP® 5-YEAR LIMITED WARRANTY

Trektop® NX Glide™ Top (non-Twill) Sunrider® for Hardtop (non-Twill) Replace-a-Top™ Top (non-Twill) Trektop® NX Top (non-Twill)
Sailcloth Replace-a-Top™ Supertop® NX Top (non-Twill)
Tigertop™ and Halftop™ Supertop® Classic Soft Top Sunrider® Complete Soft Top Supertop® for Truck
EZ Fold Hard Tonneau

BESTOP® 3-YEAR/100K MILES LIMITED WARRANTY

Powerboard® & Powerboard® NX
Trekstep®, Side Mount
Trekstep®, Rear Mount

BESTOP® 3-YEAR LIMITED WARRANTY

Pavement Ends Sprint Top

BESTOP® 2-YEAR LIMITED WARRANTY

Trektop® Classic Soft Top
RoughRider™ Soft Storage

BESTOP® 1-YEAR LIMITED WARRANTY

All other Bestop® & Pavement Ends™ products not specified above.

For further information or request for warranty work, please contact:

Bestop Inc. Customer Service
Toll-Free: (800)845-3567
Main: (303)465-1755
E-mail: csbestop@Bestop.com
Website: www.Bestop.com