

Rugged Ridge Rocker Guards, JL 2-Door



Components

1. Hex Head Cap Screw, M8 x 1.25.....	4	4. Hex Head Cap Screw, M6 x 1.0.....	8
2. Lock Washer, M8.....	4	5. Flat Washer, M6, 22mm OD.....	16
3. Flat Washer, M8, 28mm OD.....	4	6. Nylon Lock Nut, M6.....	8

OMIX-ADA® TECHNICAL SUPPORT
PHONE: M-F 8am - 5pm EST 1-800-449-6649
FOR WARRANTY OR TECH CONCERNS EMAIL: webmaster@omixsupport.com

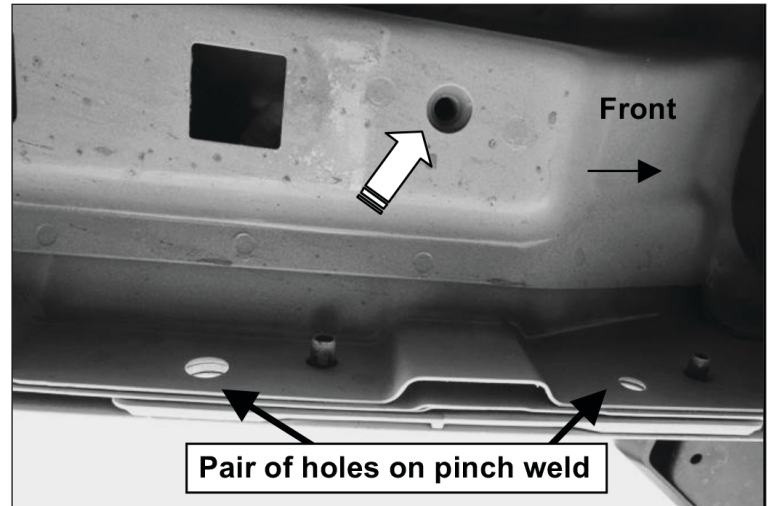
ATTN: STATE OF CALIFORNIA CONSUMERS
⚠ WARNING: Cancer and Reproductive Harm - www.P65Warnings.ca.gov.

Rugged Ridge Rocker Guards, JL 2-Door

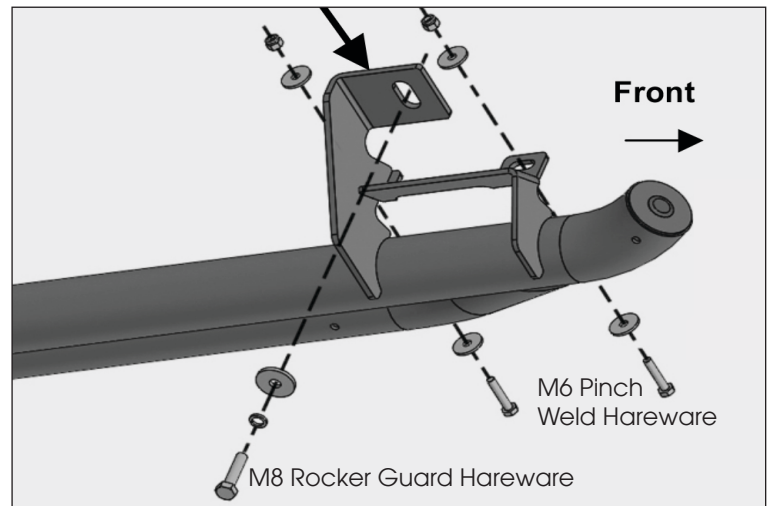
1. REMOVE CONTENTS FROM BOX. VERIFY ALL PARTS ARE PRESENT. READ INSTRUCTIONS CAREFULLY. FACTORY INSTALLED OR AFTERMARKET "ROCK RAILS," SIDE STEPS OR RUNNING BOARDS MUST BE REMOVED. ASSISTANCE IS HIGHLY RECOMMENDED.

Start installation on the driver side of the vehicle. Locate the (2) pairs of holes in the pinch weld. Directly behind each pair of holes, locate the 8mm threaded hole in the floor of the vehicle.

NOTE: Threaded holes may be covered with undercoating. Scrape off excess undercoating to provide a flat surface for brackets.

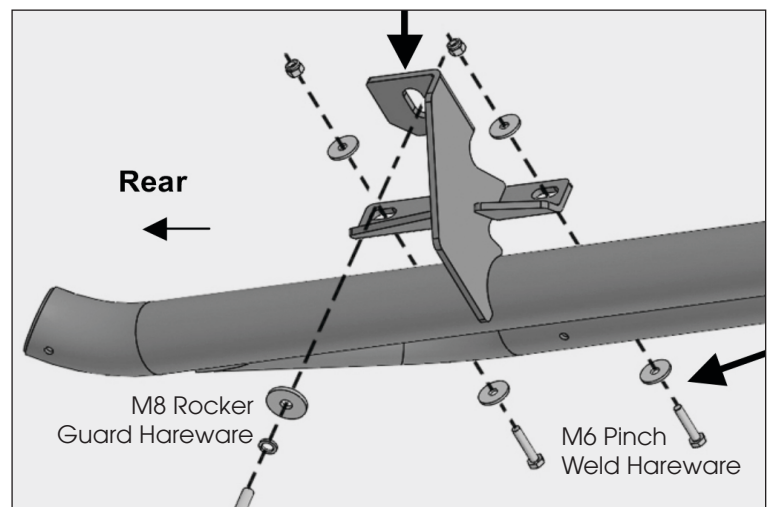


2. With assistance, attach the Rocker Guard to the back of the pinch weld using the included (4) 6mm x 25mm Hex Bolts, (8) 6mm Flat Washers and (4) 6mm Nylon Lock Nuts. Leave hardware loose at this time.



3. Attach the mounting tabs on the Rocker Guard to the (2) threaded holes in the floor with the included (2) 8mm x 35mm Hex Bolts, (2) 8mm Lock Washers and (2) 8mm Flat Washers.

Adjust the Rocker Guard and tighten all hardware



Rugged Ridge Rocker Guards, JL 2-Door

4. Repeat Steps 2 - 5 for passenger/right side Rocker Guard installation.

Do periodic inspections to the installation to make sure that all hardware is secure and tight.

To protect your investment, wax this product after installing. Regular waxing is recommended to add a protective layer over the finish. Do not use any type of polish or wax that may contain abrasives that could damage the finish. Mild soap may be used to clean the Rocker Guard.

