



FRONT RUNNER

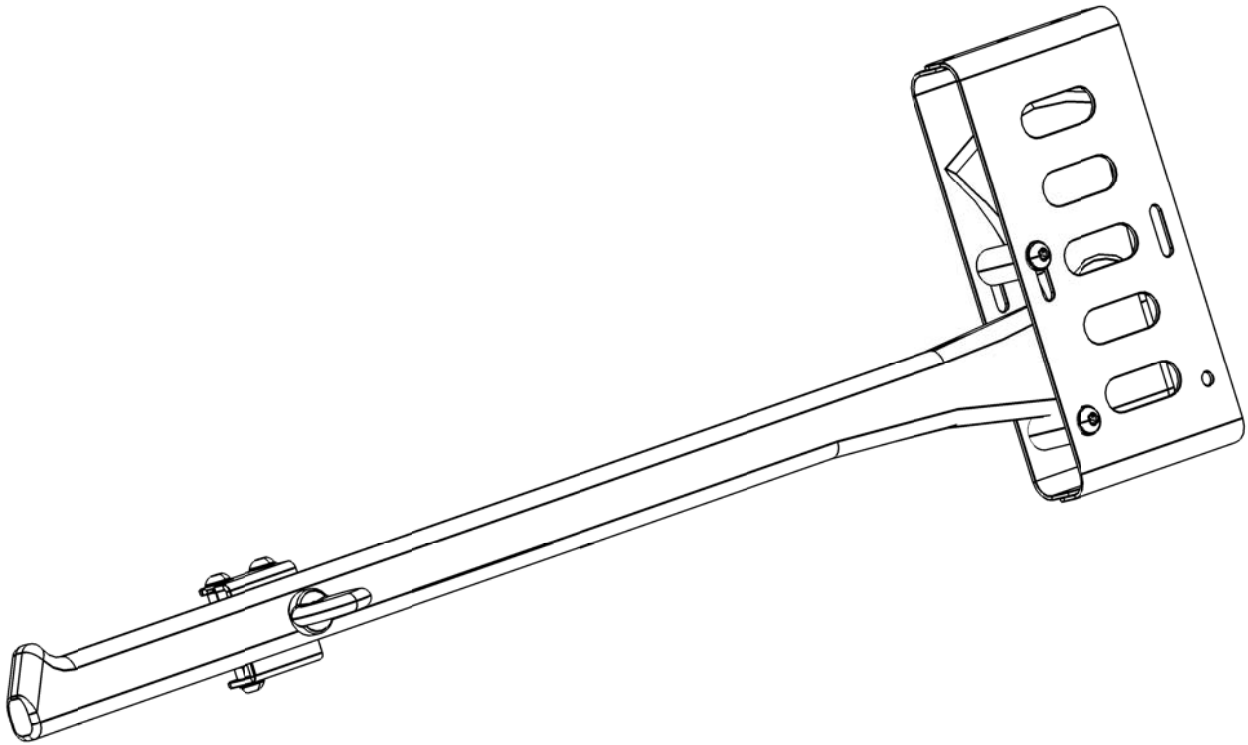
UNIVERSAL AXE BRACKET

ENG

RRAC023



INSTALL TIME: 30 mins



IMPORTANT WARNING!

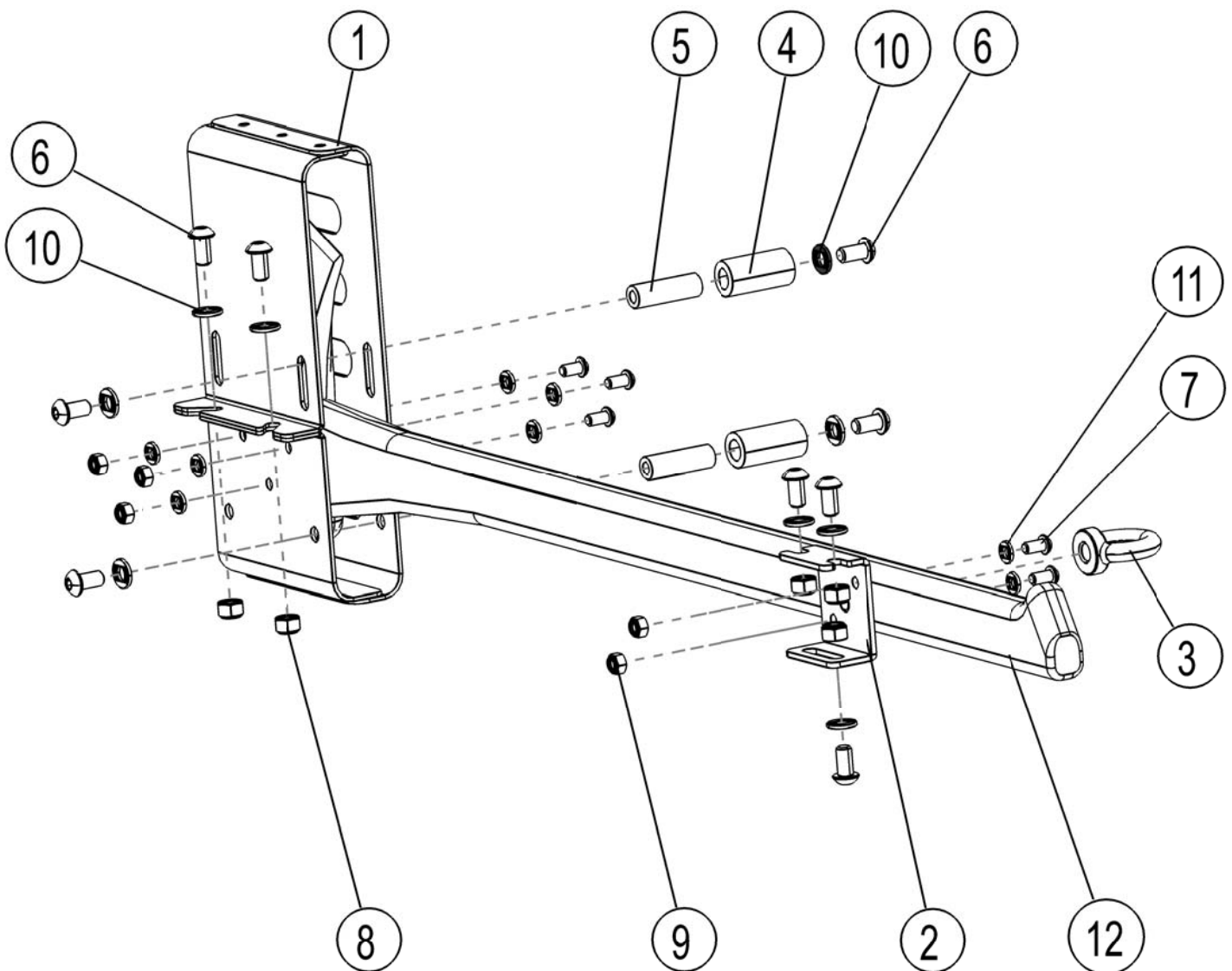
IT IS CRITICAL THAT ALL FRONT RUNNER PRODUCTS BE PROPERLY AND SECURELY ASSEMBLED AND ATTACHED TO YOUR VEHICLE. IMPROPER ATTACHMENT COULD RESULT IN AN AUTOMOBILE ACCIDENT, AND COULD CAUSE SERIOUS BODILY INJURY OR DEATH TO YOU OR TO OTHERS. YOU ARE RESPONSIBLE FOR ASSEMBLING AND SECURING ALL FRONT RUNNER PRODUCTS TO YOUR VEHICLE, CHECKING THE ATTACHMENTS PRIOR TO USE, AND PERIODICALLY INSPECTING THE PRODUCTS FOR ADJUSTMENT, WEAR, AND DAMAGE. THEREFORE, YOU MUST READ AND UNDERSTAND ALL OF THE INSTRUCTIONS AND CAUTIONS SUPPLIED WITH YOUR FRONT RUNNER PRODUCT PRIOR TO INSTALLATION OR USE. IF YOU DO NOT UNDERSTAND ALL OF THE INSTRUCTIONS AND CAUTIONS, OR IF YOU HAVE NO MECHANICAL EXPERIENCE AND ARE NOT THOROUGHLY FAMILIAR WITH THE INSTALLATION PROCEDURES, YOU SHOULD HAVE THE PRODUCT INSTALLED BY A PROFESSIONAL INSTALLER OR OTHER QUALIFIED PERSONNEL.

1 GET ORGANIZED

Item #	Quantity	Description
1	1	HEAD BRACKET
2	1	HANDLE BRACKET
3	1	M10 EYE NUT
4	2	RUBBER SPACER (I/D 12 - O/D 40)
5	2	M8 THREADED ALUMINIUM BUSH
6	9	M8x20 BUTTON HEAD BOLT
7	5	M6x12 BUTTON HEAD BOLT
8	5	M8 NYLOC NUT
9	5	M6 NYLOC NUT
10	9	M8 FLAT WASHER
11	10	M6 FLAT WASHER
12	1	AXE

You will need:

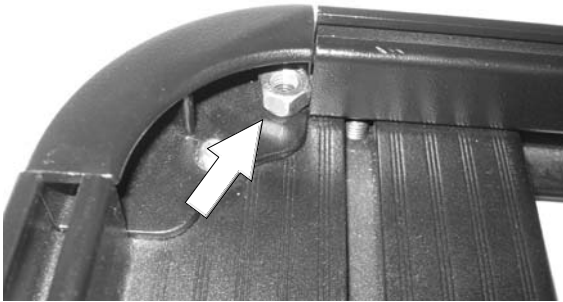
- Front Runner roof rack
- 10 mm & 13 mm Wrench or spanner
- 4 & 5 mm Allen key
- a Drill machine
- 6 mm Drill Bit (Slimline Rack only)
- 12 mm Drill bit
- White Marking Pen
- Axe



NOTE: If you have a Slimline Rack, Skip ahead to Step 3A (Pg. 5). If you have a Slimline II Rack, turn the page and follow Steps 2A-2F.

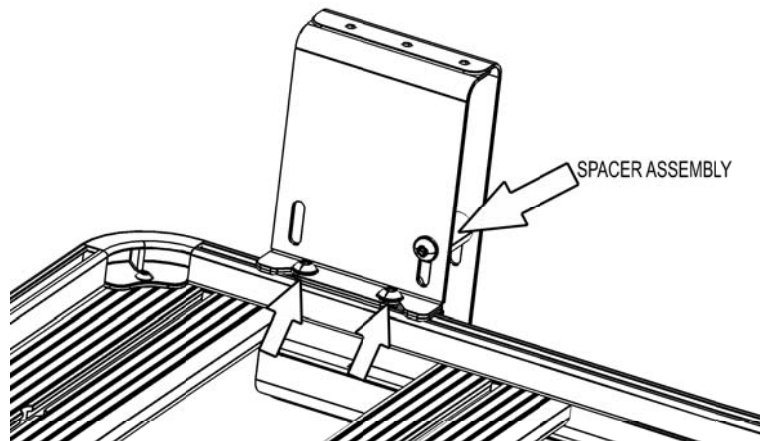
2 INSTALL AXE BRACKETS (SLIMLINE II RACK)

- (A) Decide where on your Rack you would like to mount your axe. Slide four M8 Nyloc Nuts (Item 8) in to the "T-slot" rail on the chosen side by pushing the nuts through the gap in the Corner as indicated. Two of the nuts will be used for the Head Bracket and two for the Handle Bracket. The spacing of the nuts and brackets will depend on the length of your axe.



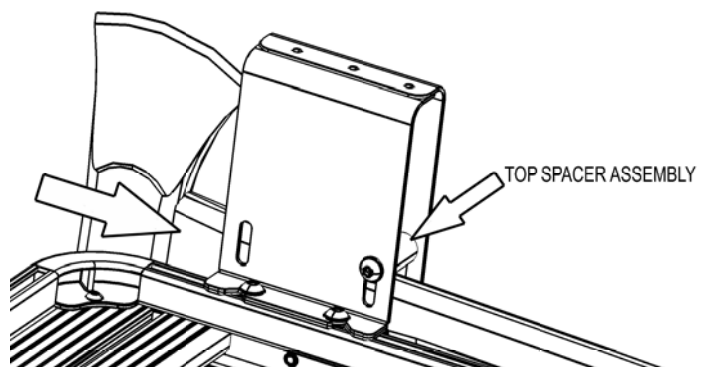
- (B) Using four of the M8 x 20 Button Head Bolts and M8 Flat Washers (Items 6 & 10), screw the Bolts into the M8 Nyloc Nuts (Item 8).

Grab the Head Bracket and slide it between the two front or two rear bolts (depending on how you are mounting the axe. Ensure short side is facing down). Position the Bracket as required and hand tighten the bolts using a 5mm Hex Key (The bracket must still be able to move).



NOTE: Depending on which side of your Head Bracket you would like the axe handle to exit, you may need to move the two Spacer Assemblies (one top, one bottom) to the opposite side. The spacer assemblies must be on the same side that the handle exits the bracket.

- (C) Loosen the top Spacer Assembly so that it is able to move up and down. Slide the axe through and into the Head Bracket.

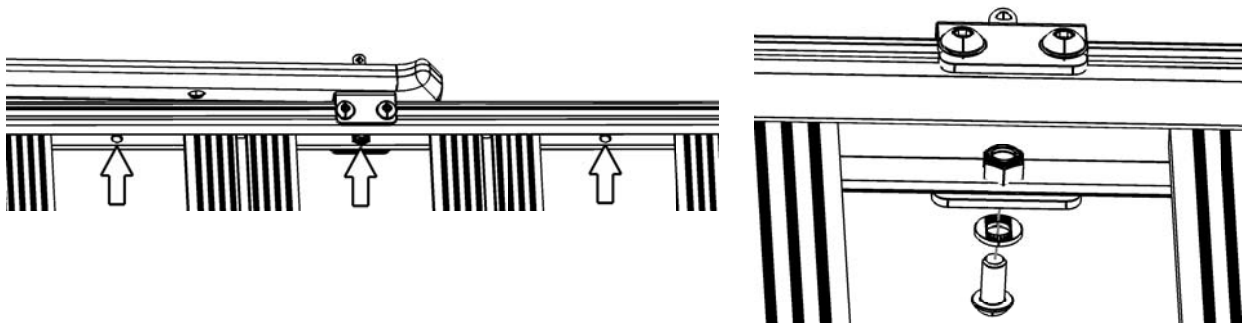


2 INSTALL AXE BRACKETS (SLIMLINE II RACK)

- (D) The Handle Bracket mounts in-between two slats and locates in-line with the hole in the bottom of the side profile as indicated by the arrows. Slide the Handle Bracket between the remaining two bolts from Step 2A &B.

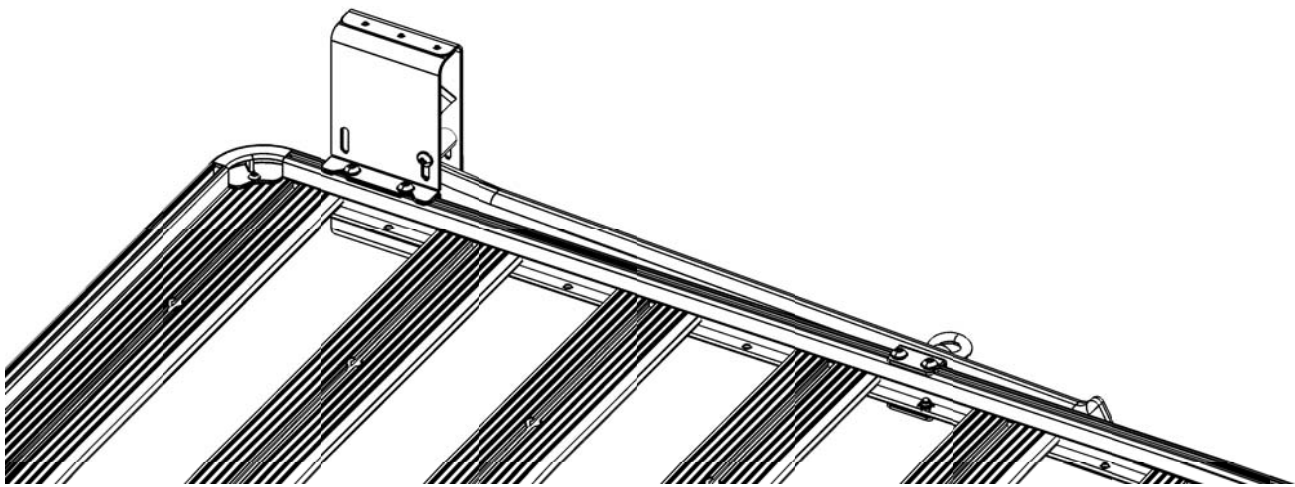
Choose a suitable position to mount the Handle Bracket (You may need to move the Head Bracket). Fasten the Handle Bracket to the Rack using a M8x20 Button Head Bolt, M8 Flat Washer and M8 Nyloc Nut (Items 6, 8 &10) for the bottom mounting. Fasten the two top Button Heads.

Push the axe handle against the Handle Bracket and mark the position of the threaded locating pin onto the axe's handle. Remove the axe and drill a 12mm hole through the handle on your mark.



- (E) Refit the axe "clipping" the handle over the locating pin in the handle bracket. Pull the Axe Head Bracket away from the Handle Bracket so that it fits snugly against the axe head. Tighten the two Button Head Bolts securing the Head Bracket to the Rack. Push the upper Spacer Assembly down against the handle and fasten. Check that the handle is able to "clip off" the locating pin. Adjust either of the two brackets if needed until the handle is able to unclip.

Fasten the handle to the bracket using the M10 Eye Nut supplied. The axe can be locked to your vehicle by placing a small padlock through the hole in the handle's locating pin.

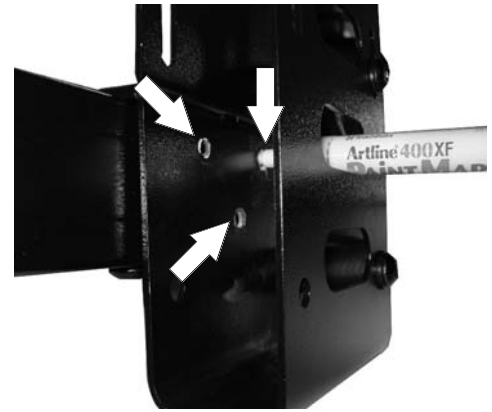


- (F) Congratulations, you have completed your installation. Take a step back and admire your work. Good Job!

3 INSTALL AXE BRACKET (SLIMLINE RACK)

- (A) Decide where on your Rack you would like to mount your axe bracket. Place the Head Bracket into position over the Side Profile with the short side to the bottom. Mark the position of the three holes in the bracket onto the side profile.

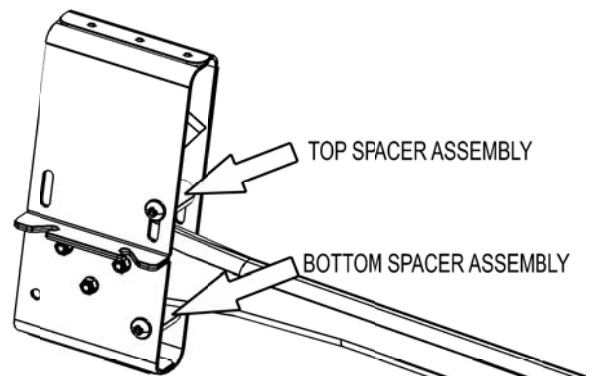
Remove the Bracket. Using your drill machine and a 6mm drill bit, drill three holes on your markings. Refit the Head Bracket and fasten it to the Rack using three M6x12 Button head Bolts, three M6 Nyloc Nuts and six M6 Flat Washers (Items 7, 9 & 11) supplied.



NOTE: Depending on which side of your Head Bracket you would like the axe handle to exit, you may need to move the two Spacer Assemblies (one top, one bottom) to the opposite side. The spacer assemblies must be on the same side that the handle exits the bracket.

- (B) Loosen the Top Spacer Assembly so that it is able to move up and down. Slide the axe through and into the Head Bracket.

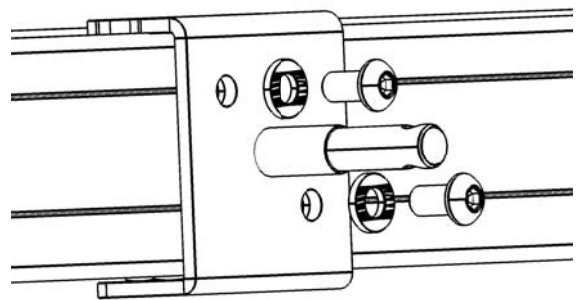
This will allow you to see where to position the Handle Bracket.



- (C) Choose where along your handle you would like to position the Handle Bracket. Slide the Handle Bracket over the Side Profile. The side with the long slot goes to the bottom of the Rack. Mark and drill as you did with the Handle Bracket. - refer to Step 2A.

Once the Handle Bracket is secured to the side profile (using the remaining M6 Button Head Bolts, M6 Flat Washers and Nyloc Nuts), push the axe handle against the Handle Bracket and mark the position of the threaded locating pin onto the axe's handle.

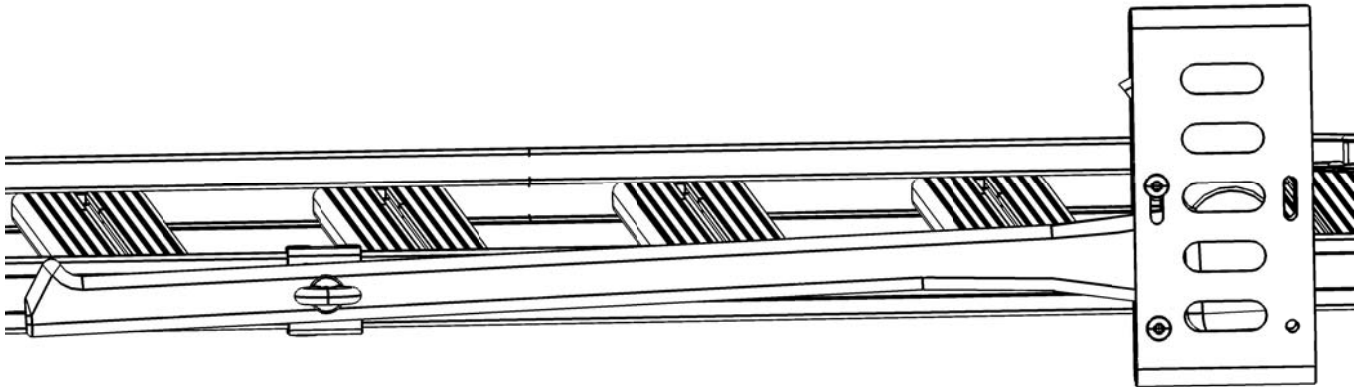
Drill a 12mm hole into the axe handle on your mark.



3 INSTALL AXE BRACKET (SLIMLINE RACK)...CONT.

- (D) Refit the axe "clipping" the handle over the locating pin. Push the upper Spacer Assembly down against the handle and fasten.

Fasten the handle to the bracket using the M10 Eye Nut supplied. The axe can be locked to your vehicle by placing a small padlock through the hole in the handle's locating pin.



- (E) Congratulations, you have completed your installation. Take a step back and admire your work. Good Job!

4 INSTALL OTHER VEHICLE AND RACK ACCESSORIES

- (A) Now's the time to visit your favorite Front Runner dealer in person or online.