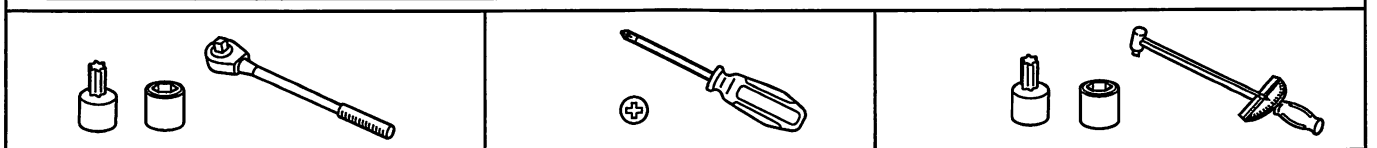
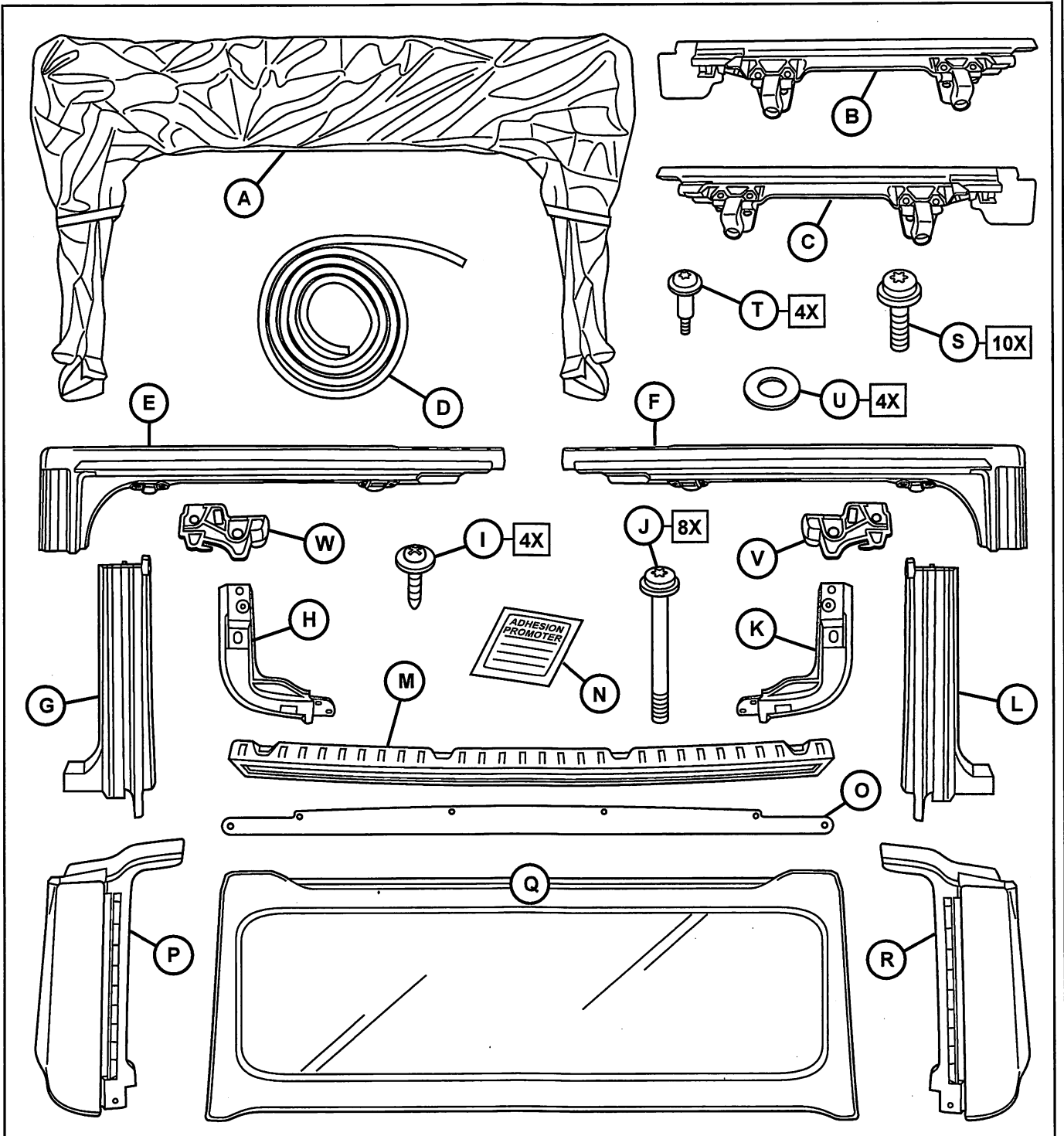
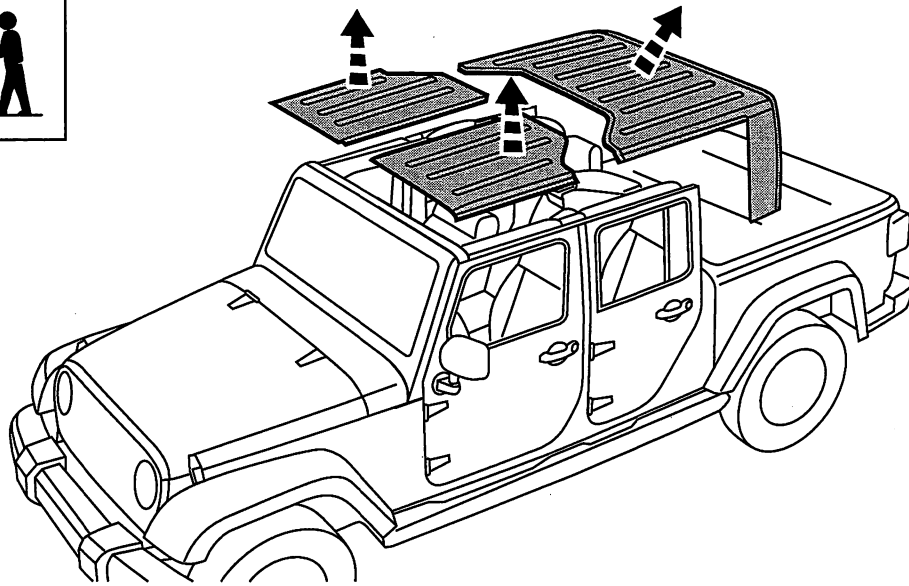
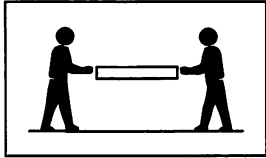




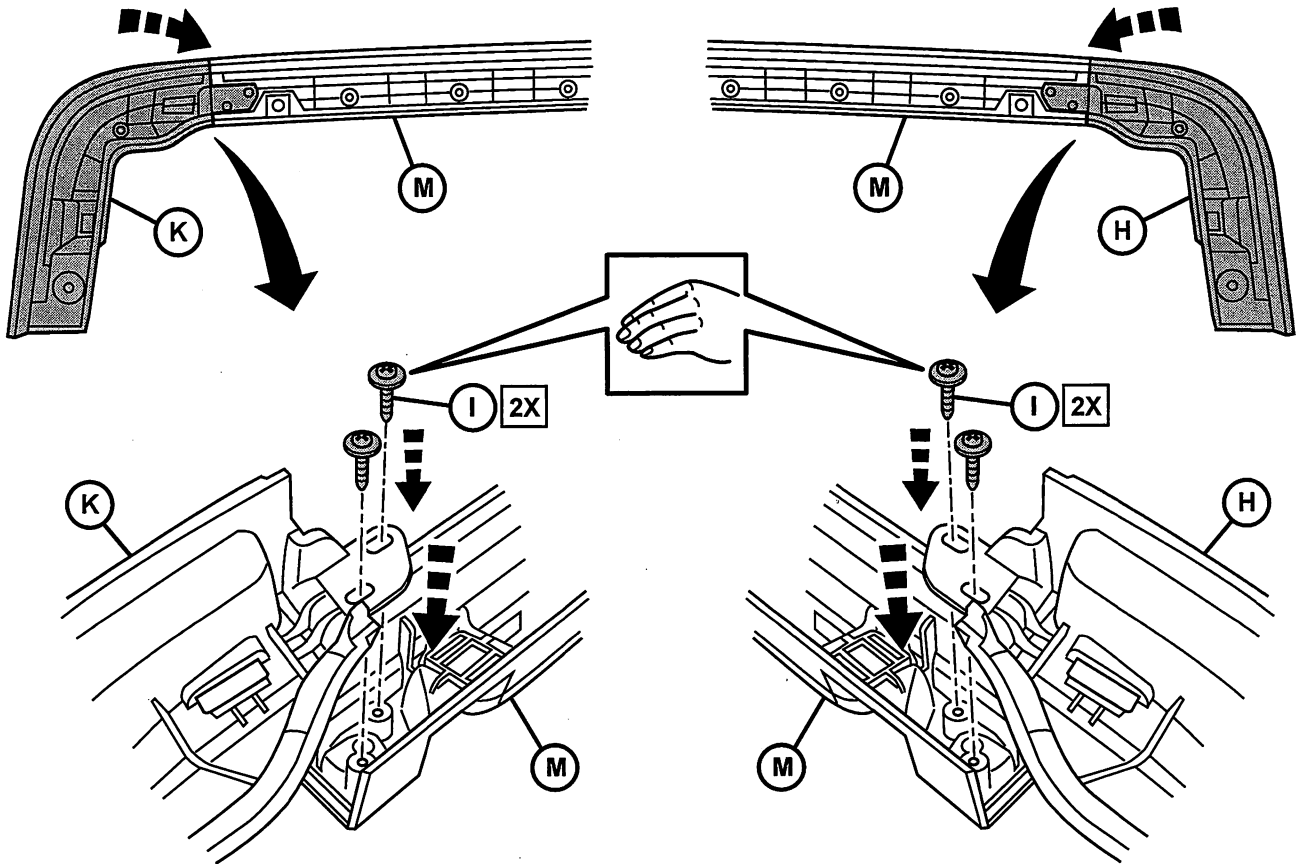
# SOFT TOP JEEP GLADIATOR

www.mopar.com

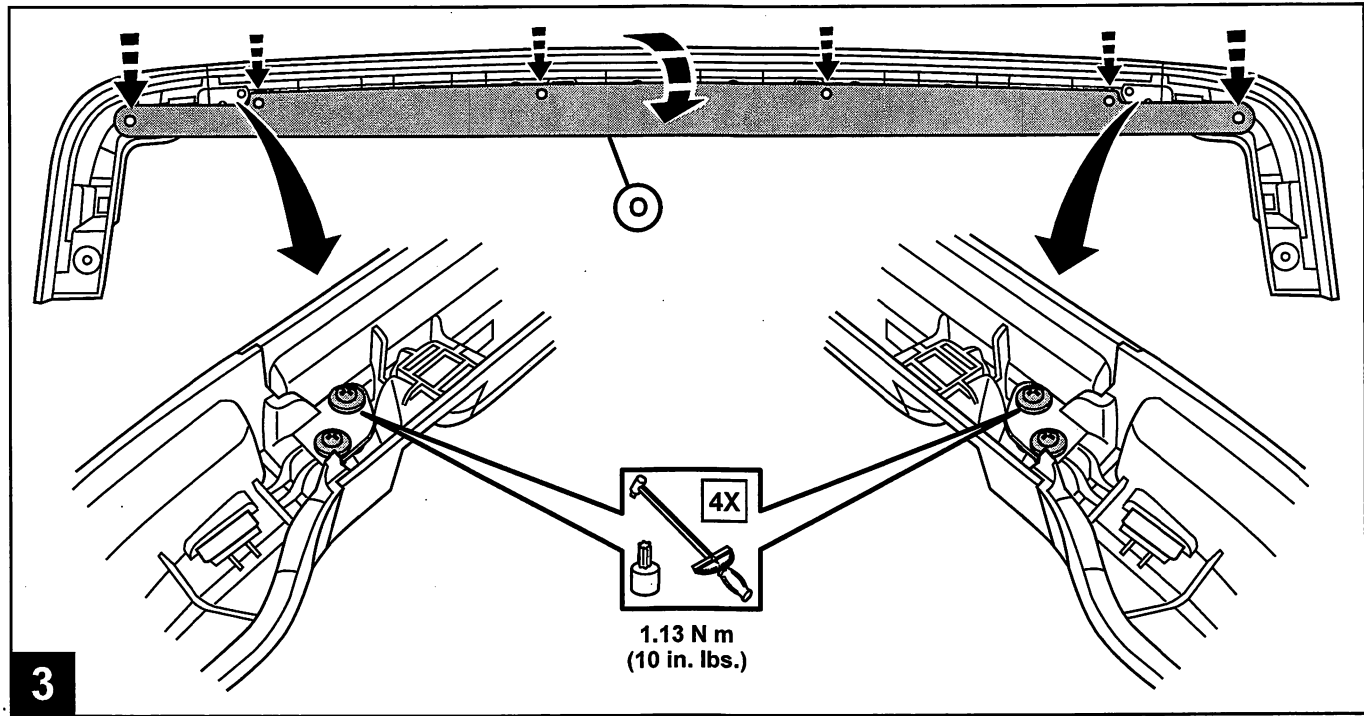




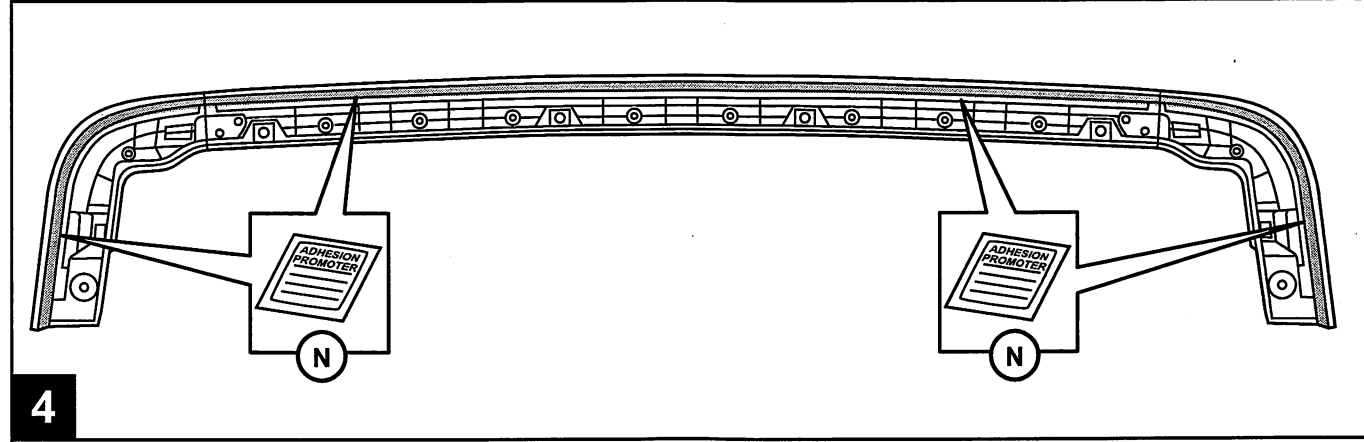
1



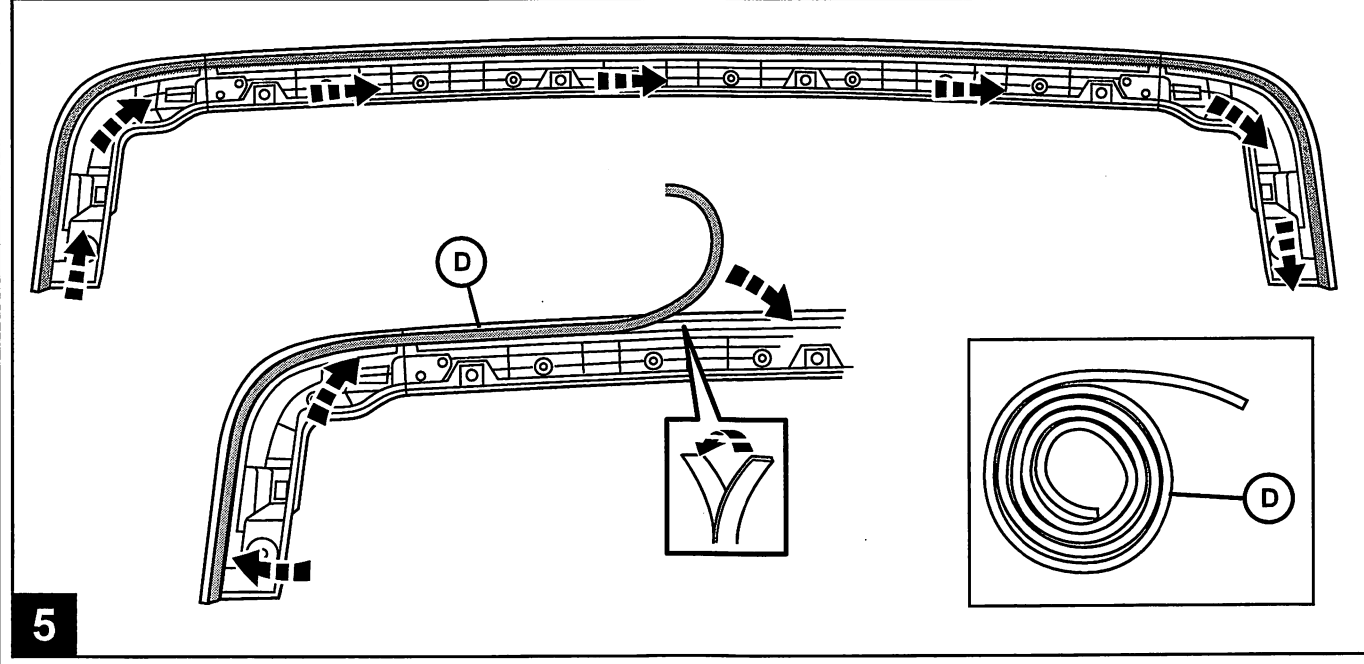
2



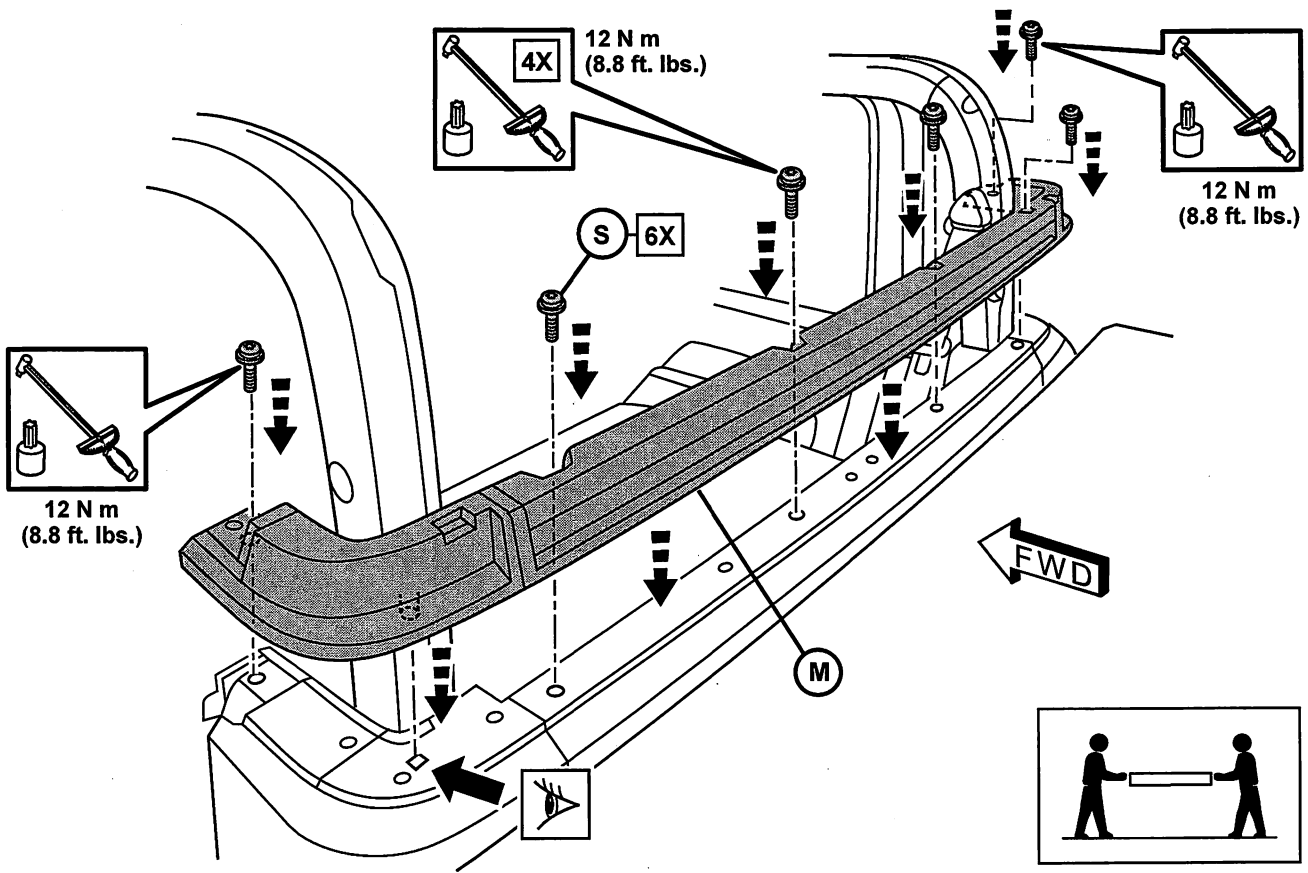
3



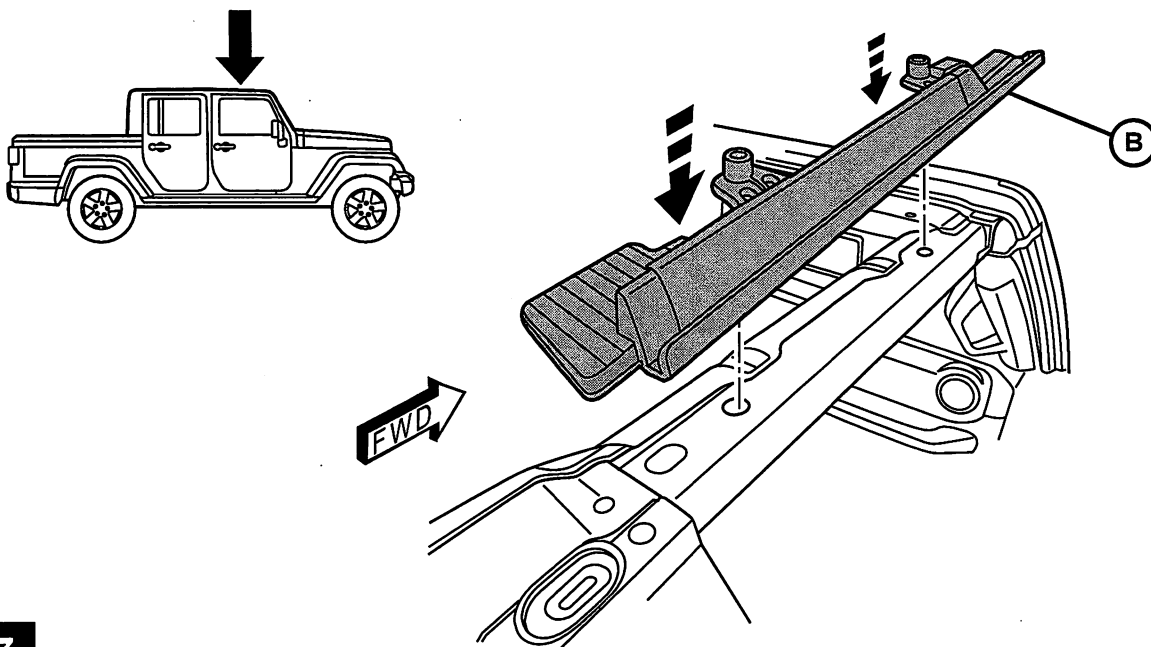
4



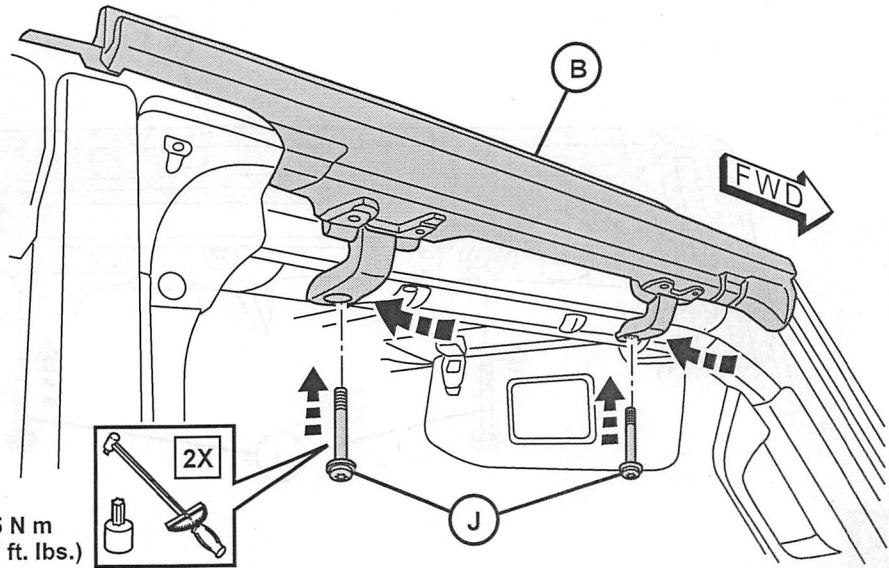
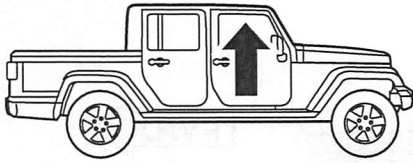
5



6

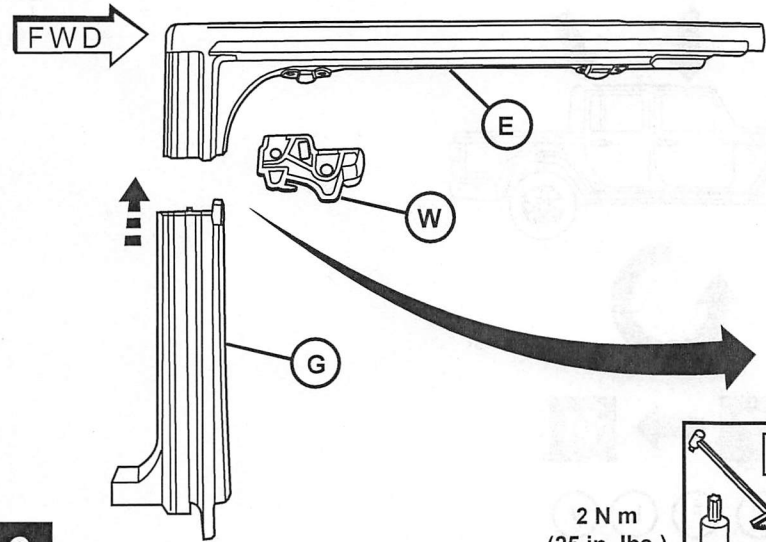


7



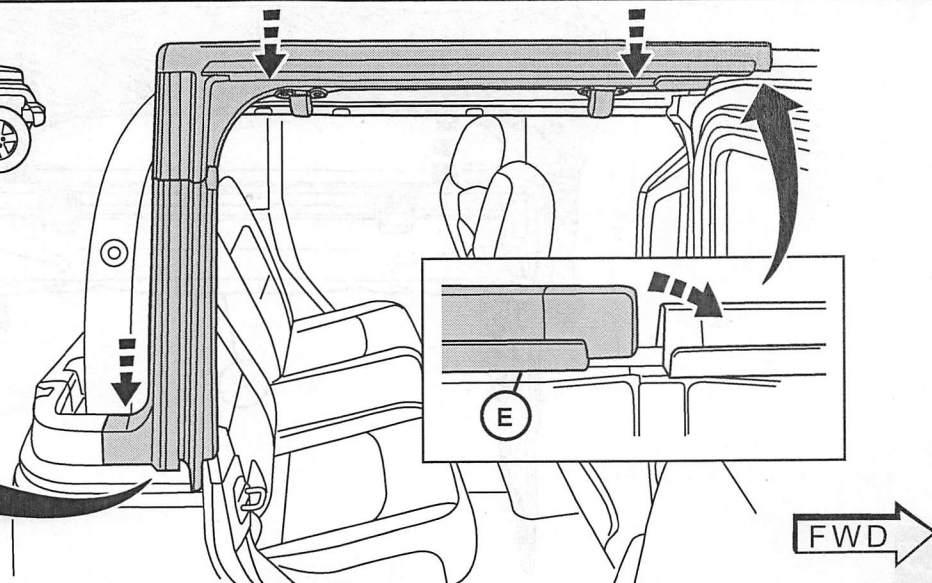
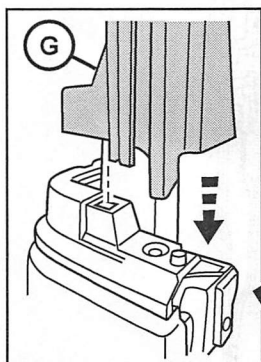
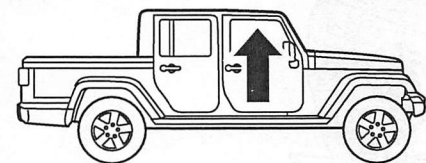
8

5 N m  
(3.7 ft. lbs.)

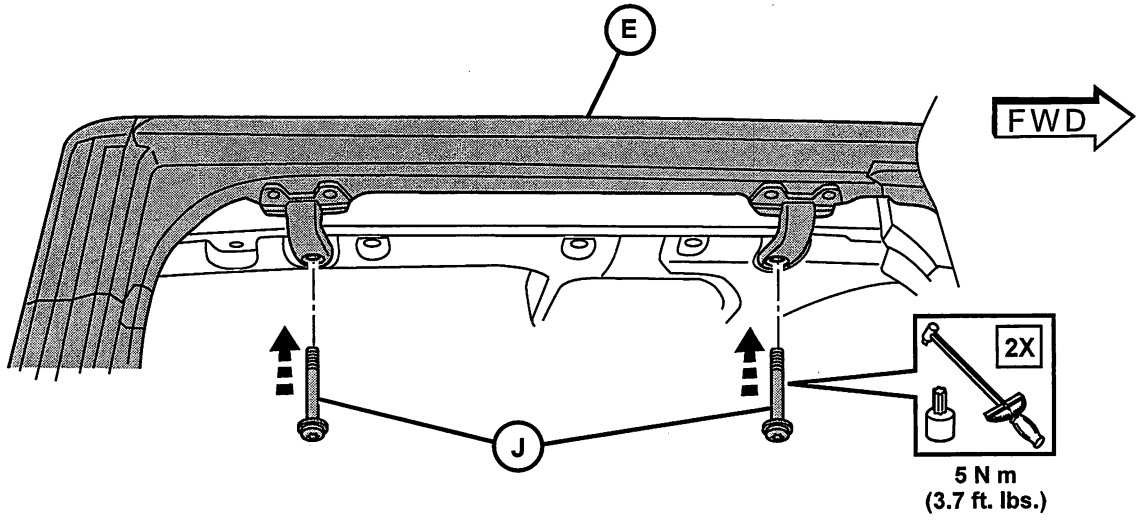


9

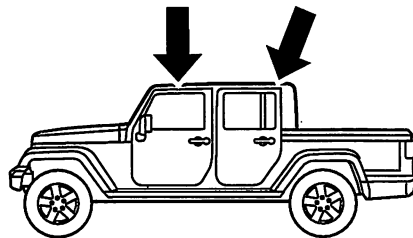
2 N m  
(25 in. lbs.)



10



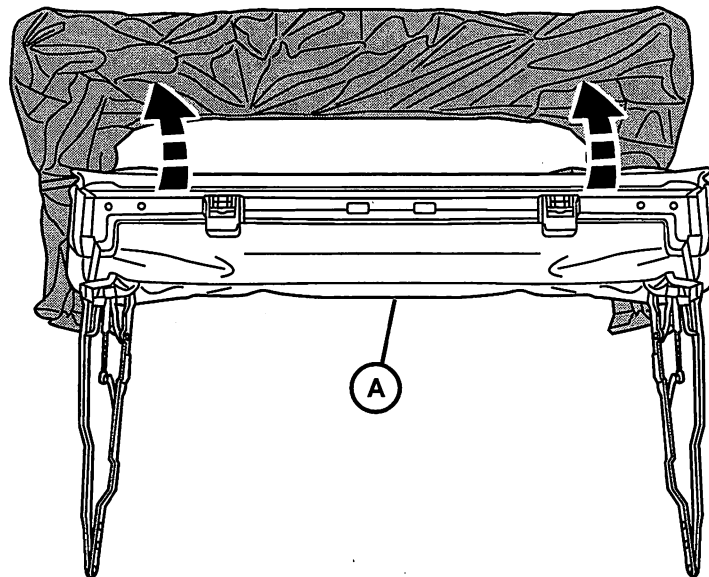
11



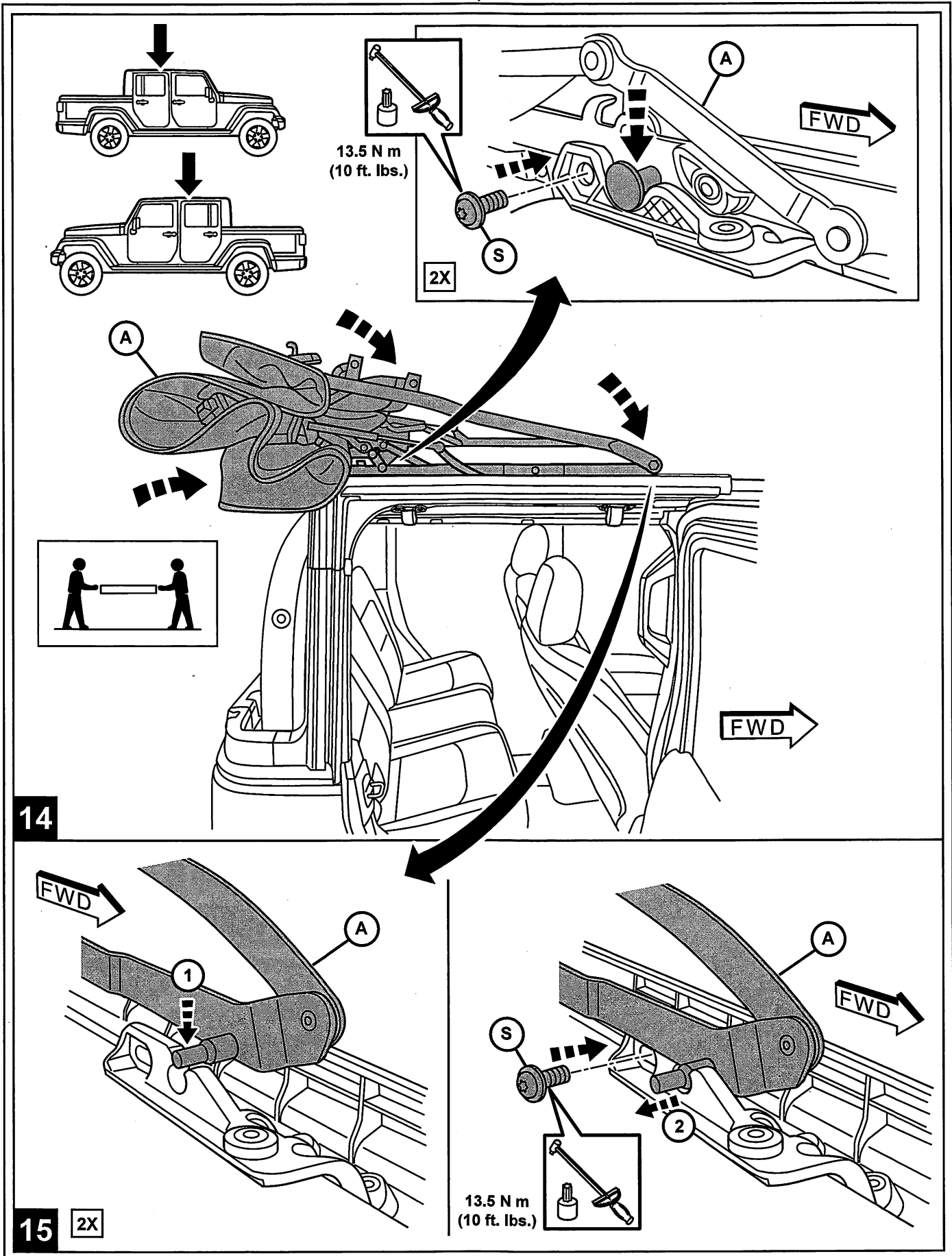
7 → 11

(C) (F) (L) (V)

12



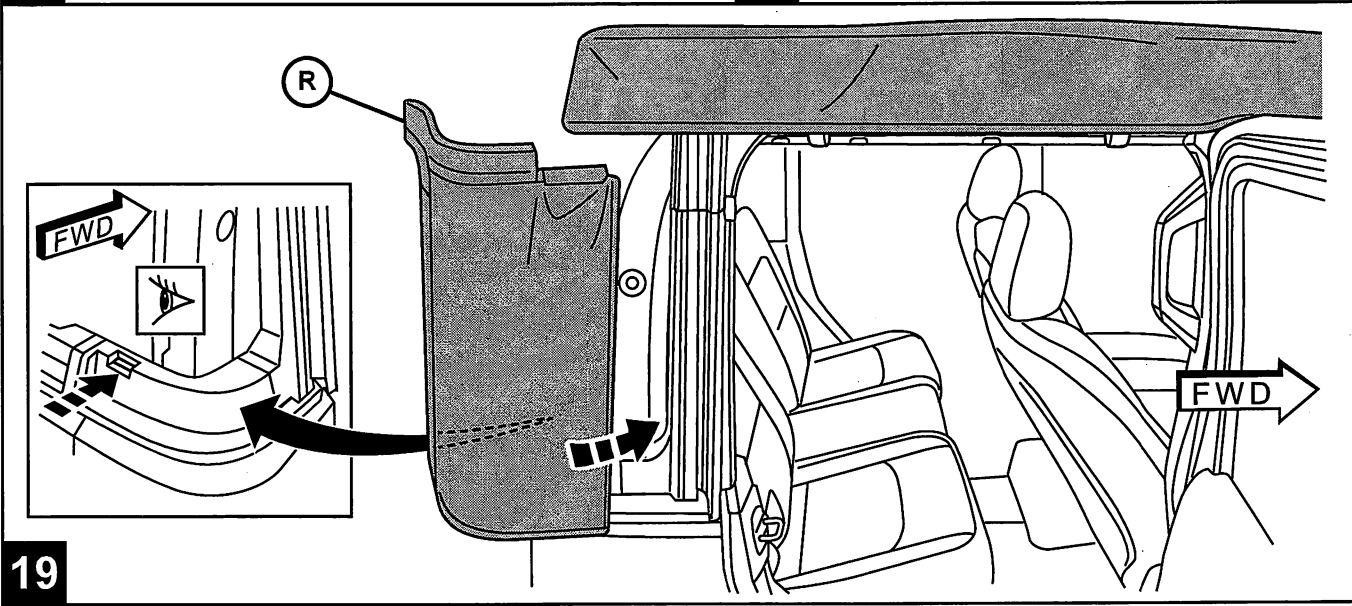
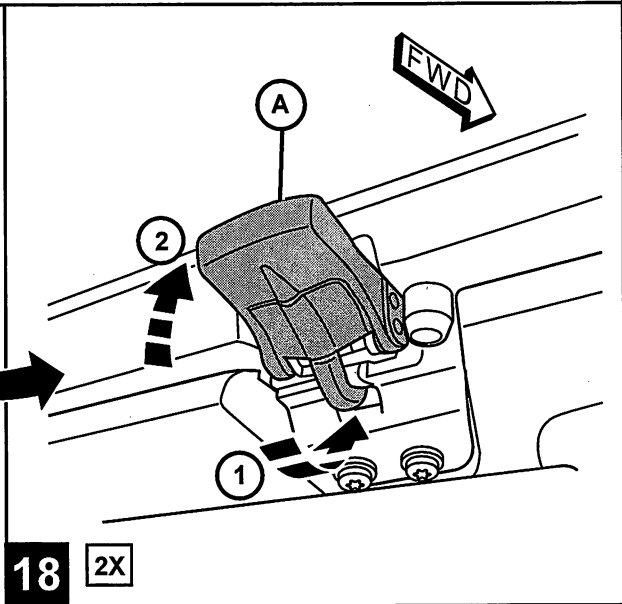
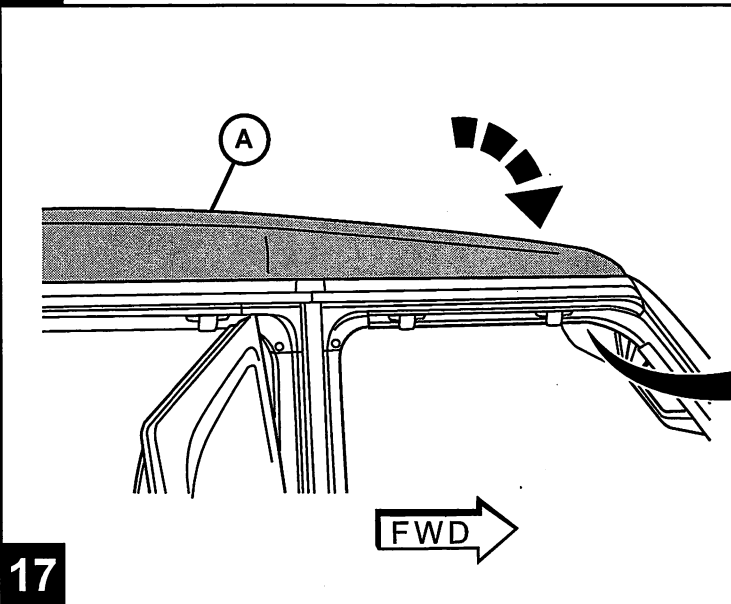
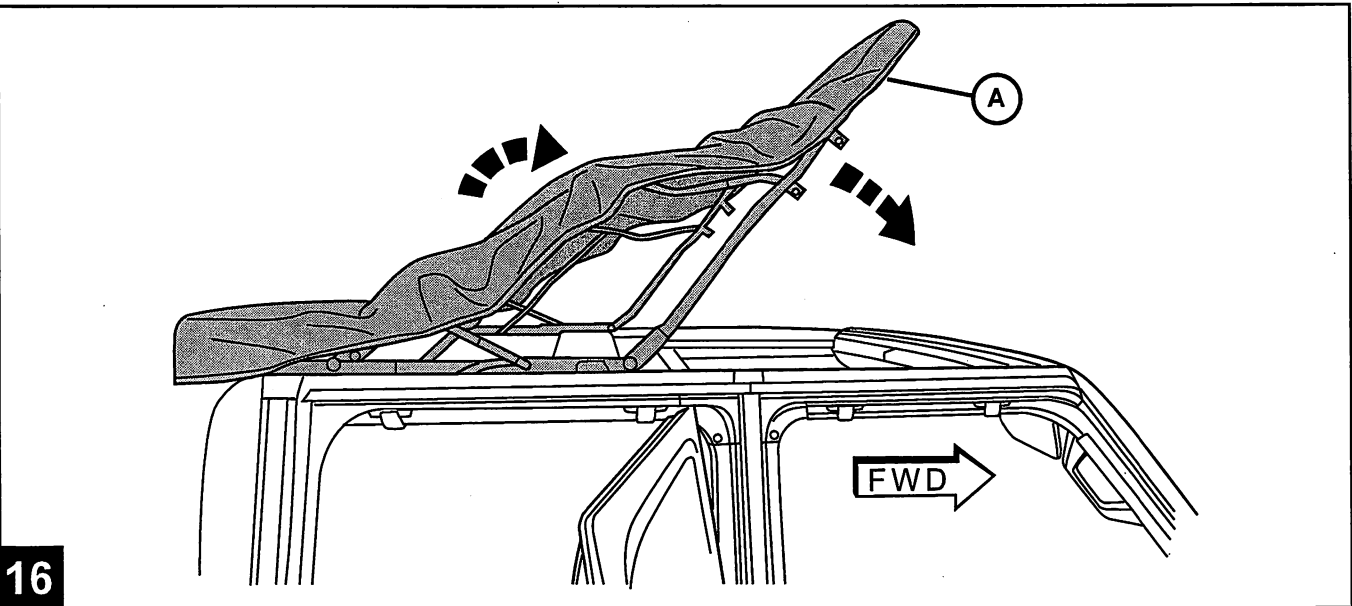
13



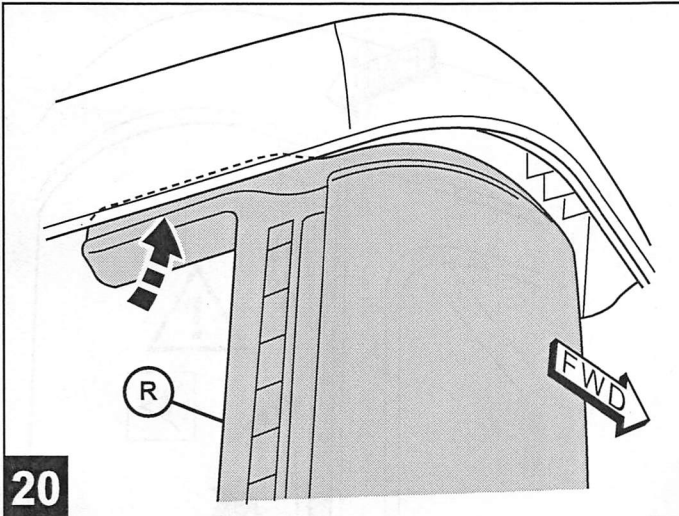
14

15

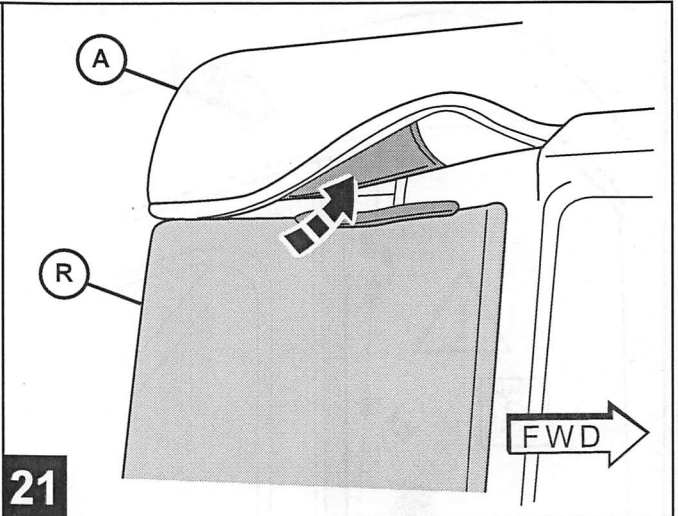
2X



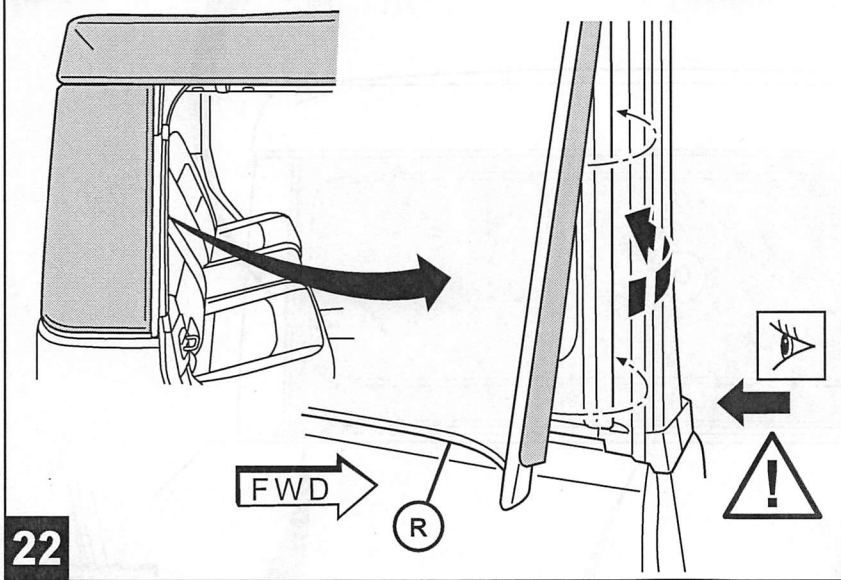




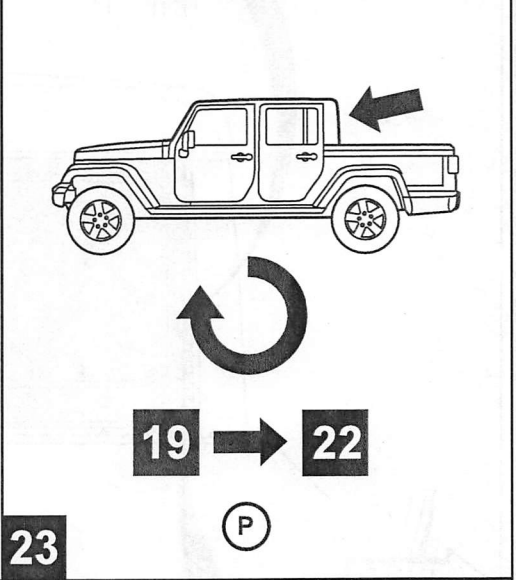
20



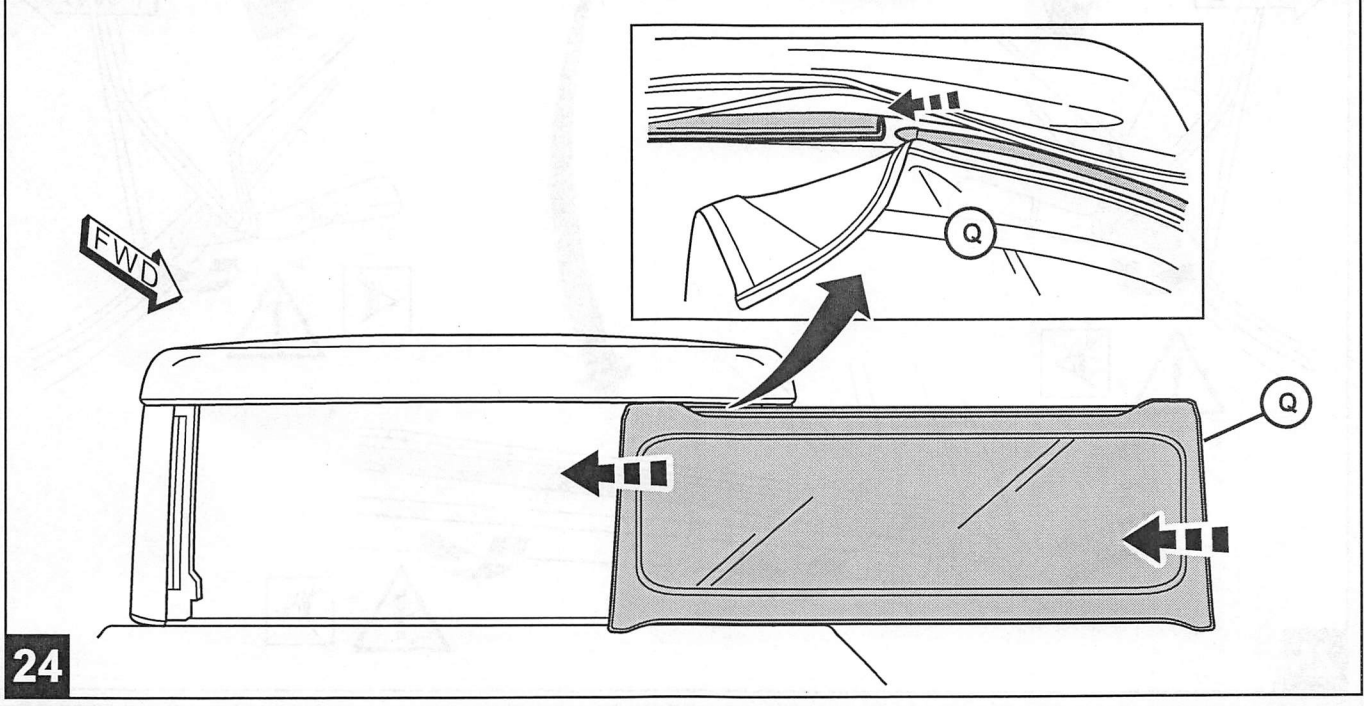
21



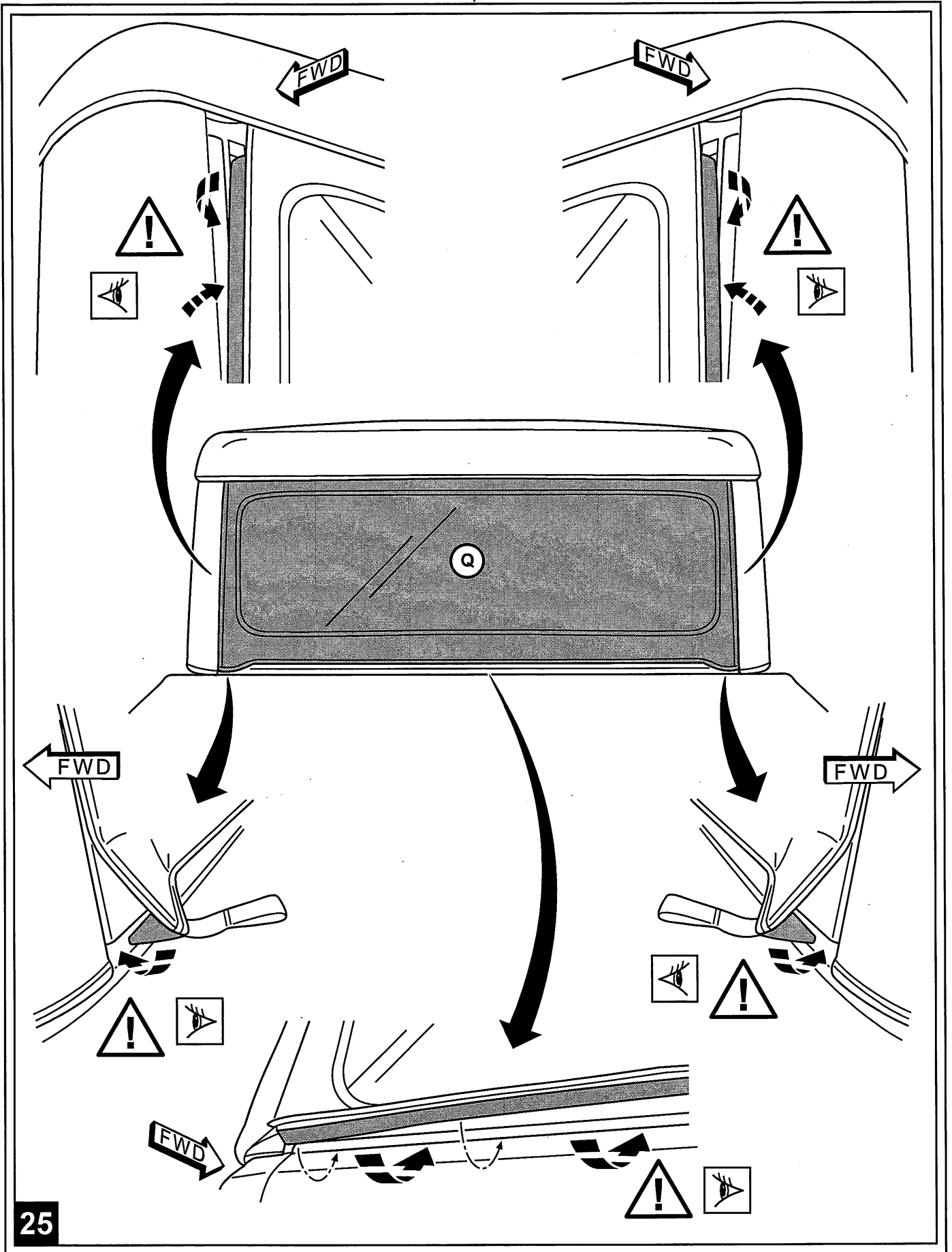
22



23



24



25