



INTENSITY

NEXT GENERATION LED DRIVING LIGHTS

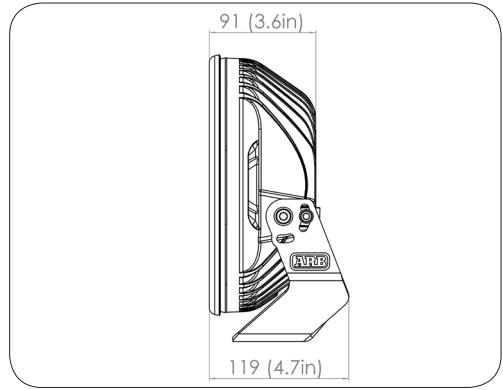
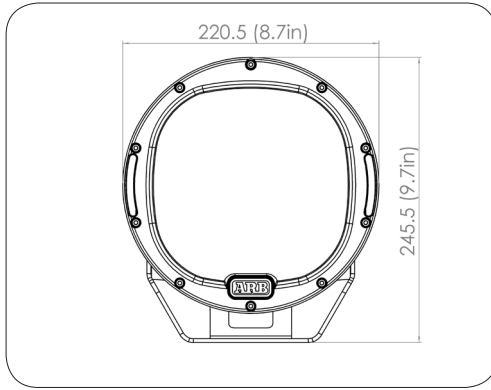


USER GUIDE





SPECIFICATIONS



- High pressure cast A360 aluminium body.
- Unbreakable polycarbonate lens.
- UV stable moulded polycarbonate lens cover.
- Multiple position stainless steel mount.
- Durable UV Stable polyester powder coat
- Goretex® breather.
- IP68 Certified.
- Deutsch DTP-06 waterproof connectors.
- MIL810-STDG vibration certified
- RoHS compliant.
- 10-36V DC input.
- Power draw- 165 W
- Amp @ 14.4V- 11.5A
- 32 LED's.
- Raw Lumens- 20000
- Colour temperature: 5700 Kelvin
- Lux @ 10m (33Ft) – 6319 (spot) 4579 (flood).
- 7.5° full width flood.
- 6° full width spot.
- Over/under voltage protection.
- 50,000+ Hour LED life span
- Zero UV emissions
- Operating temp: -40°C to +63°C
-40°F to +145°F
- Protected against RFI/EMC interference
- Integrated thermal management.
- Weight 3.1Kg / 6.8Lb complete.

CARE AND MAINTENANCE

- There are no user serviceable components within this light - DO NOT disassemble.
- Clean with warm soapy water and a sponge or soft brush. DO NOT use solvents, scourers or hard bristle brushes.
- Remove the clear cover periodically to clean the light lens.
- Ensure all electrical connectors and wiring loom are secured away from sharp edges.
- Regularly check all mounting and adjusting bolts to ensure they are secure & torqued.
- If your light requires further service or repair, return it to your local ARB distributor.

TORQUE SETTINGS

6mm Torx® bolt	9 Nm / 80 Lb-In
8mm cap screw	22 Nm / 195 Lb-In
12mm mounting bolt	77 Nm / 57 Lb-Ft

SUPPLIED PARTS

1 X Light Body (Spot or Spread)
1 x Clear Cover
1 x Mounting Bracket
1 x mounting hardware kit





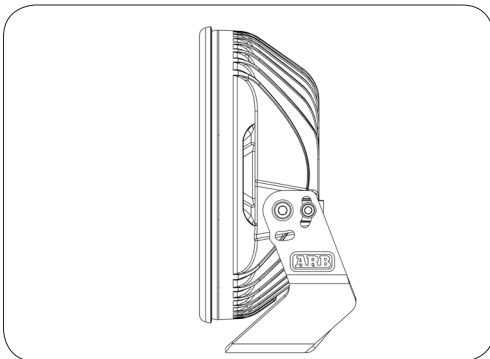
INSTALLATION

UPRIGHT

Orientate the mounting bracket as per the image at right and attach to the light body using M8 cap screw & M6 tamper proof Torx® bolts.

Attach the light to the bull bar using the M12x1.75 mounting hardware.

NOTE: Leave bolts loose until placed on vehicle.

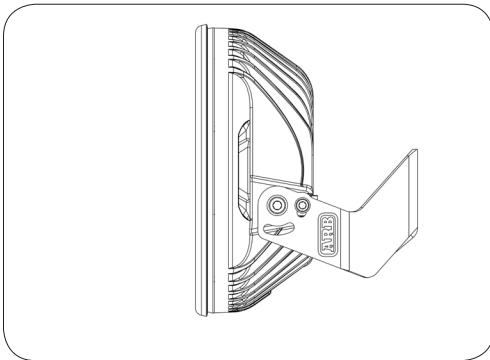


HORIZONTAL

Orientate the mounting bracket as per the image at right and attach to the light body using M8 cap screw & M6 tamper proof Torx® bolts.

Attach the light to the mounting surface using the M12x1.75 mounting hardware.

NOTE: Ensure mounting surface has sufficient strength or use a suitable backing plate. Leave bolts loose until placed on vehicle.

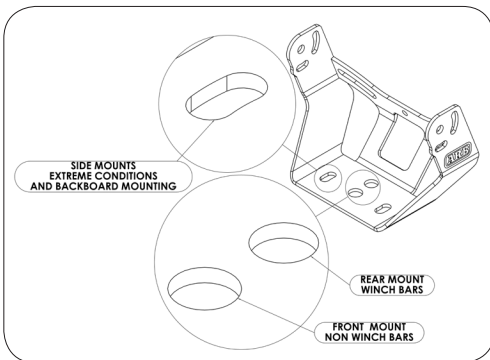


ADJUSTMENT

Horizontal adjustment is gained by rotating the light body to the desired position and tightening the main M12 mounting bolt. Two side slots allow pinning of the light for use in constant rough conditions (see picture at right. Requires drilling of the mounting surface and fitment of suitable bolts)

Note: Horizontal adjustment not applicable when mounted on vertical surface.

Vertical adjustment is gained by tilting the light body up or down and tightening the security Torx® bolt with the key wrench supplied. The



WIRING

ARB recommends the use of the ARB Driving Light Loom P/No 3500480. Designed specifically for the ARB Intensity LED driving lights this loom features high powered connectors and is preassembled for ease of fitment.





ARB PRODUCTS WARRANTY AGAINST DEFECTS

ARB warrants the ARB Products against defects in workmanship and materials for the Warranty Period. If defective workmanship or materials become apparent in the Warranty Period, ARB will replace or repair the defective Product.

The benefits to the customer given by this warranty are in addition to other rights and remedies of the customer under a law in relation to the goods or services to which the warranty relates.

- 1) In this warranty:
 - **ARB** means ARB Corporation Limited (ABN 31 006 708 756) of 42-44 Garden St, Kilsyth Victoria 3137
 - **ARB Outlet** means an outlet which has been authorised by ARB to sell and fit ARB Products
 - **ARB Product** means products which ARB manufactures or for which ARB is the exclusive supplier
 - **Product Information** means the information about the relevant ARB Product which may be contained in any of: documentation provided with the ARB Product, owner's manual, operating manual, service manual or the manufacturer's manual or labels attached to the ARB Product
 - **Warranty Period** means, in respect of an ARB Product, means the period that this warranty against defects applies and which is set out in the table in paragraph 8.
- 2) To be entitled to claim the warranty, the customer must:
 - a) have the ARB Product fitted in accordance with the Product Information
 - b) carry out normal care and maintenance of the ARB Product, including any required by the Product Information
 - c) provide proof of purchase of the ARB Product
 - d) make the claim in the Warranty Period.
- 3) The warranty will not apply in circumstances where the defect is caused by:
 - a) unusual, improper or negligent use or misuse of the ARB Product
 - b) incorrect fitting of the ARB Product other than at an ARB Outlet
 - c) loading the ARB Product with weights in excess of Product Information
 - d) use of non-genuine ARB components in or with the ARB Product
 - e) use on vehicles with modifications not approved in the Product Information or at an ARB Outlet at the time of fitting
 - f) caused by racing or competition use
 - g) use of the ARB Product outside of the requirements of the Product Information.
- 4) The procedure for the customer to claim the warranty is:
 - a) return the ARB Product to the nearest ARB Outlet or contact ARB to arrange a time to bring a vehicle fitted with the ARB Product to an ARB Outlet for inspection. Contact details are in paragraph 7 below if further information is required regarding local outlet details
 - b) bring proof of purchase of the ARB Product to the ARB Outlet
 - c) ARB will review the ARB Product and advise whether the conditions of this warranty have been met
- 5) Where ARB accepts a customer's warranty claim, ARB will rectify any defective workmanship or materials at its own expense.
- 6) Expenses incurred by the customer in claiming the warranty are to be borne by the customer.
- 7) This warranty is given by: ARB Corporation Limited
42-44 Garden Street Kilsyth VIC 3137, Australia
Phone: 03 9761 6622
Fax: 03 9721 9090
www.arb.com.au
- 8) The period within which a defect in the ARB Products must appear if the customer is to be entitled to claim the warranty is 2 years or 40,000km (whichever comes first) starting on the date of purchase unless:
 - a) the ARB Product is used in Commercial use. Commercial use means use in industry or commerce including (without limitation) use in the mining industry or as a hire vehicle. In this case, the Warranty Period is the lesser of 1 year or 20,000km, or one third of the period or distance specified in the table, starting on the date of purchase.
- 9) The warranty against defects contained in this document replaces any other warranty against defects or voluntary warranty given in relation to the Products.

Our goods come with guarantees that cannot be excluded under the Australian Customer Law. You are entitled to a replacement or refund for a major failure and compensation for any other reasonably foreseeable loss or damage. You are also entitled to have the goods repaired or replaced if the goods fail to be of acceptable quality and the failure does not amount to a major failure.

