



START HERE!

READ ME FIRST

Don't be a hero and muscle through this without first reading these fitting instructions! Improper installation of this gear may void certain aspects of your warranty.

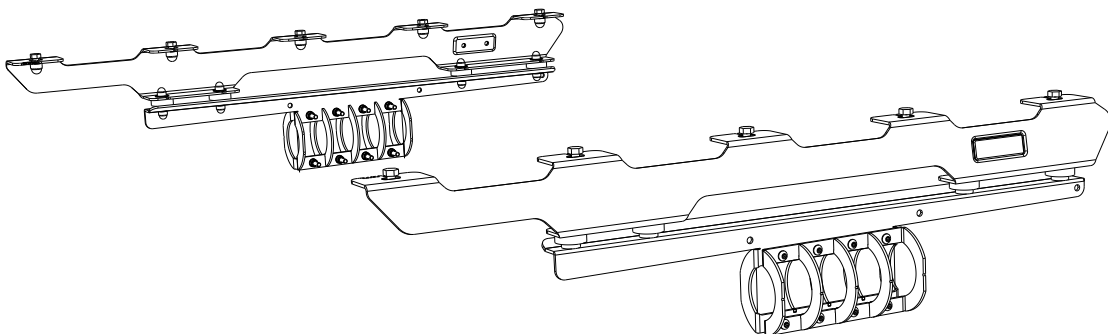
Before you begin, take a moment and open all your Front Runner rack kit boxes and gather the assembly instructions for the various components.

A complete kit will contain:

1. A Front Runner Mounting System specific to your vehicle
2. A Front Runner Rack Tray or Load Bar Slats

This document will guide you through the assembly of the mounting system and assist you in fitting the roof rack tray or load bars to your specific vehicle.

Please refer to the next page for a list of all the components, quantities and tools required.



IMPORTANT WARNING!

FRONT RUNNER CAN NOT RECOMMEND A MAXIMUM LOAD CARRYING CAPACITY. PLEASE REFER TO YOUR VEHICLE MANUFACTURER'S RECOMMENDATIONS. IT IS CRITICAL THAT ALL FRONT RUNNER PRODUCTS BE PROPERLY AND SECURELY ASSEMBLED AND ATTACHED TO YOUR VEHICLE. IMPROPER ATTACHMENT COULD RESULT IN AN AUTOMOBILE ACCIDENT, AND COULD CAUSE SERIOUS BODILY INJURY OR DEATH. YOU ARE RESPONSIBLE FOR ASSEMBLING AND SECURING ALL FRONT RUNNER PRODUCTS TO YOUR VEHICLE. CHECKING THE ATTACHMENTS PRIOR TO USE, AND PERIODICALLY INSPECTING THE PRODUCTS FOR ADJUSTMENT, WEAR AND DAMAGE. THEREFORE YOU MUST READ AND UNDERSTAND ALL OF THE INSTRUCTIONS AND PRECAUTIONS SUPPLIED WITH YOUR FRONT RUNNER PRODUCT PRIOR TO INSTALLATION OR USE. IF YOU DO NOT UNDERSTAND ALL OF THE INSTRUCTIONS AND CAUTIONS, OR IF YOU HAVE NO MECHANICAL EXPERIENCE AND ARE NOT THOROUGHLY FAMILIAR WITH THE INSTALLATION PROCEDURES, YOU SHOULD HAVE THE PRODUCT INSTALLED BY A PROFESSIONAL INSTALLER OR OTHER QUALIFIED PERSONNEL.

1

GET ORGANIZED

FAJK011

IN THE BOX

1	2 X	Inner Bracket 1LH + 1RH
2	2 X	Inner Bracket Clamp
3	16 X	M6 Nut Cap
4	8 X	M6 x 30 Hex Bolt
5	8 X	Spacer 19 x 12.58 x 15
6	8 X	M6 x 19 x 1SS Flat Washer
7	8 X	Foam Washer
8	24 X	M6 x 12 x 1SS Flat Washer
9	24 X	M6 Nyloc Nuts
10	1 X	Seal Kit

TOOLS NEEDED



10MM
13MM



10MM
13MM

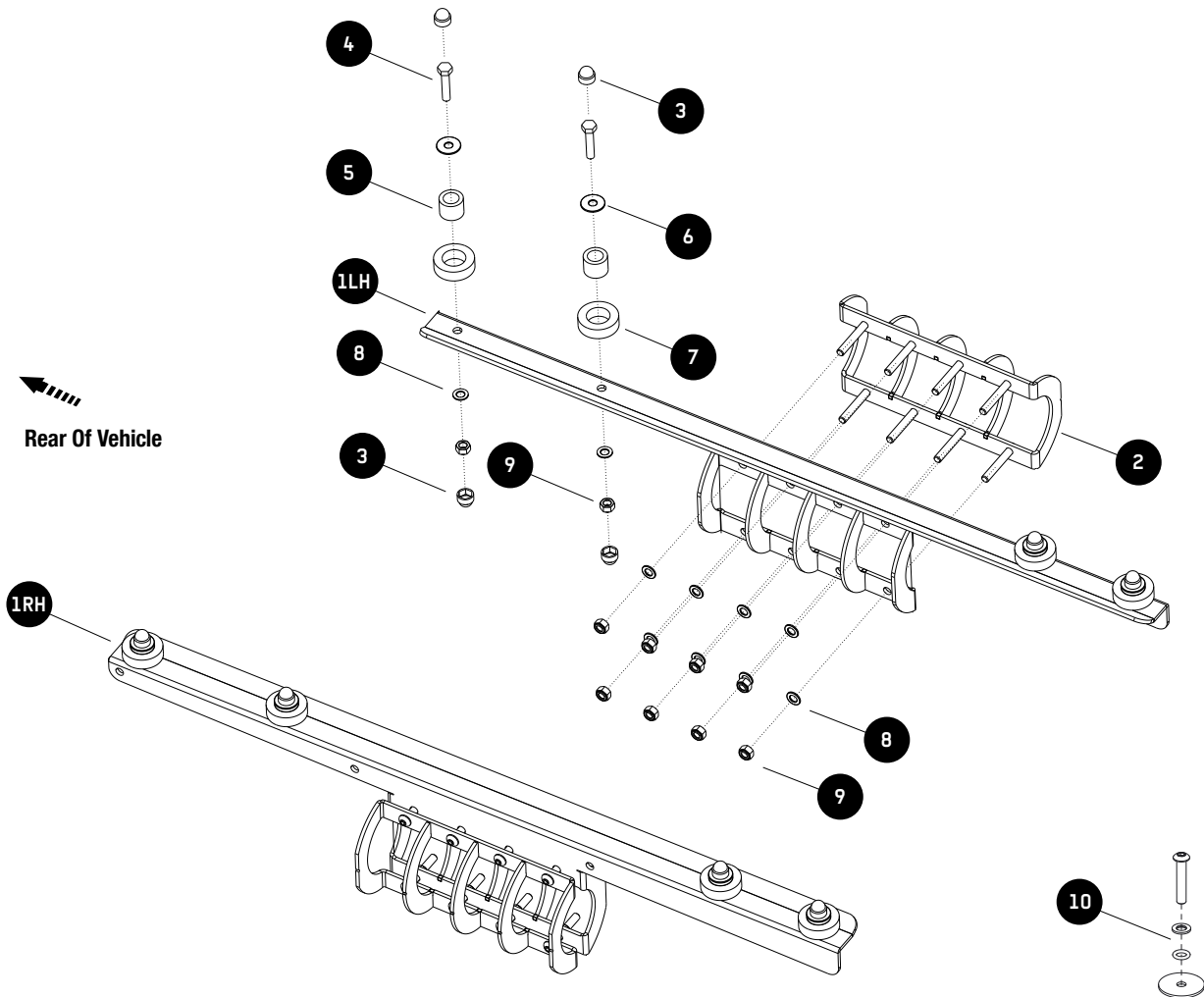


Torx Wrench
T40



4mm
22mm (7/8") Hole Saw

FIGURE 1.1



1

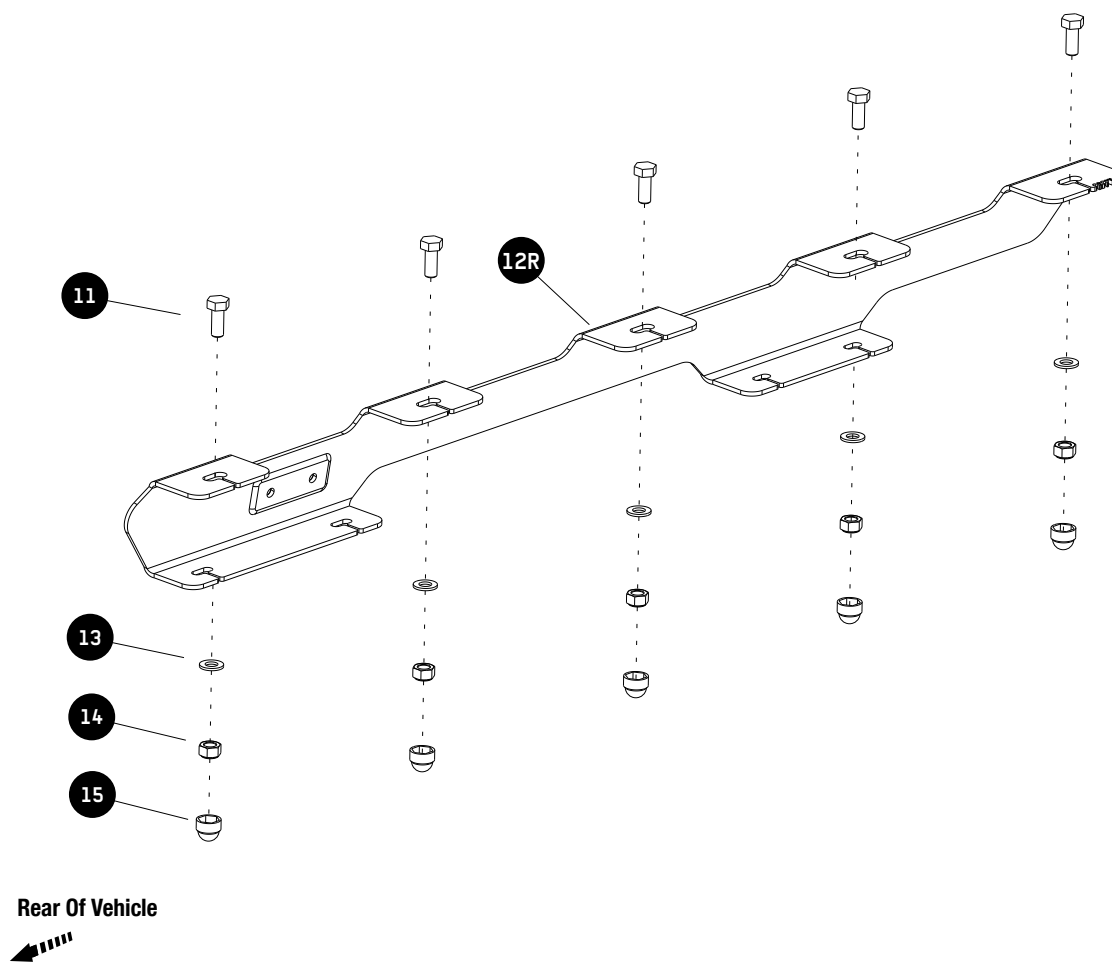
GET ORGANIZED

FAJK010

IN THE BOX

11	10 X	M8 X 20 Hex Bolt
12	2 X	Foot Rail - 1LH + 1RH
13	10 X	M8 x 16 x 1.6SS Flat Washer
14	10 X	M8 Nyloc Nut
15	10 X	M8 Nut Cap

FIGURE 1.2



2.1



Remove the two T-top roofs.

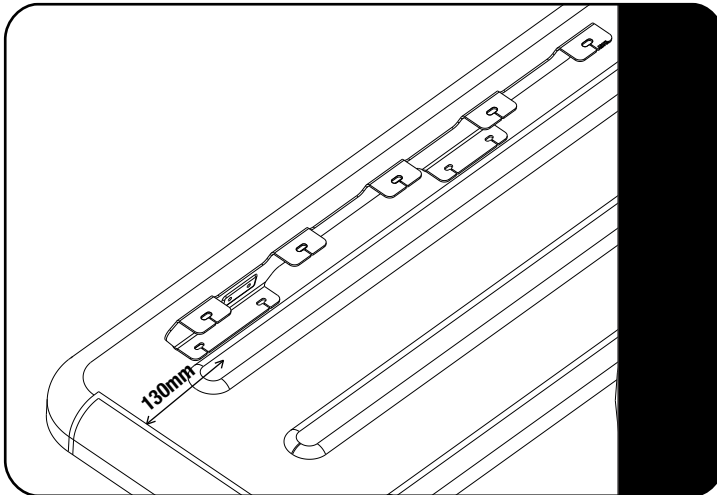
Disconnect the power socket and water pipe in the back left corner of the vehicle.

Using a T40 Torx Wrench, remove the six torx bolts holding the rear roof to the vehicle's body.

Remove the two torx bolts either side of the front headrests holding the rear roof the vehicle's body.

With the help of a friend, lift the roof off the vehicle.

2.2

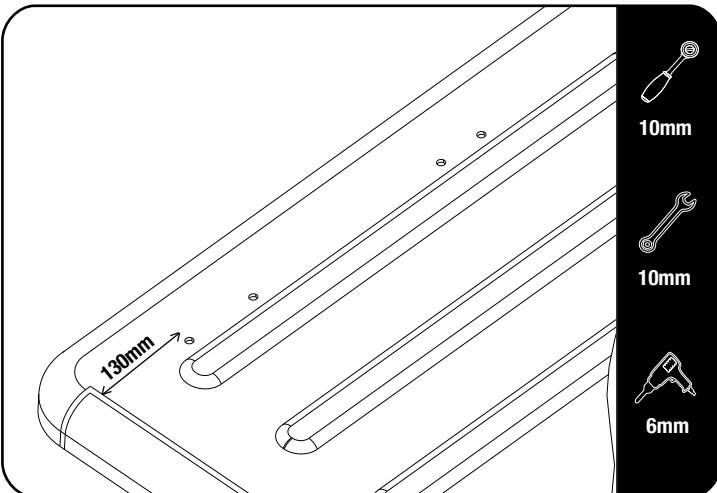


Place the left and right Foot Rails (Item 12LH & 12RH) in position as shown. Mark the position of the four mounting feet. Remove the Rails. Using masking tape, tape the marked area on the roof where the mounting feet sat. This is done to help protect your vehicle's roof when drilling in 2.3.

Place the brackets back in position, making sure to align the Foot Rail with the ribs on the roof.

Using a measuring tape, adjust the Rails so the centre of the rear hole is 130mm in from the rear edge of the roof and 3mm from the edge of the outer rib as shown. Mark the position of all the holes onto the roof.

2.3



Drill 4mm pilot holes on the marks you have made.

Change the 4mm drill bit to a 22mm hole saw. Drill all the 4mm holes (8 in total) out to 22mm.

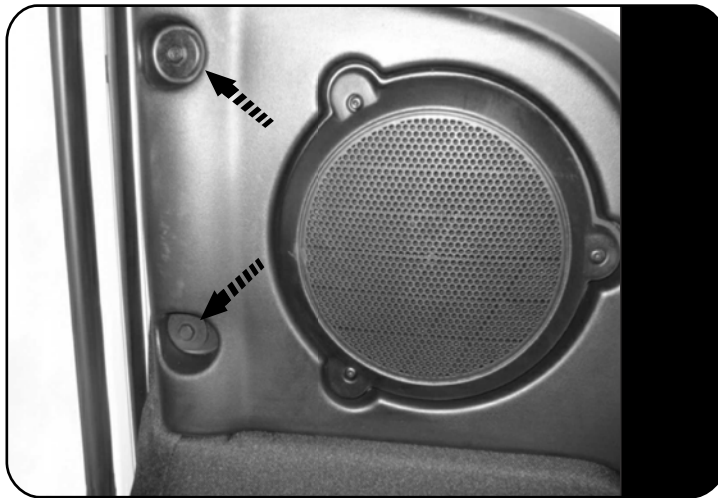
Let the drill do the work. You do not want to scratch or damage your vehicle's roof. Have your friend hold the vacuum cleaner underneath where you are drilling to catch all the dust and keep your vehicle clean.

After drilling, clean the area around all the 22mm holes in the roof with a rag and methylated spirits/denatured alcohol.

2

FIT AND SECURE

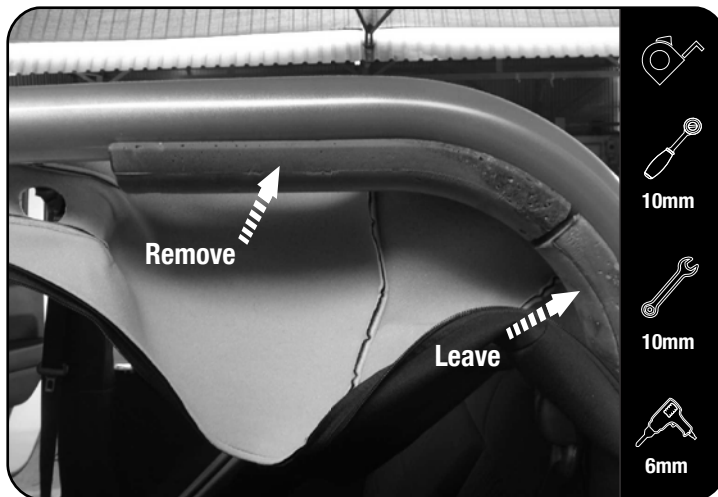
2.4



Remove the speaker box so that you have access to the zips and padding that cover the vehicles roll bars.

This is done by removing the six bolts that hold it in place. Two bolts on the outside of each speaker and one bolt either side of the screw that hold the T-tops in place.

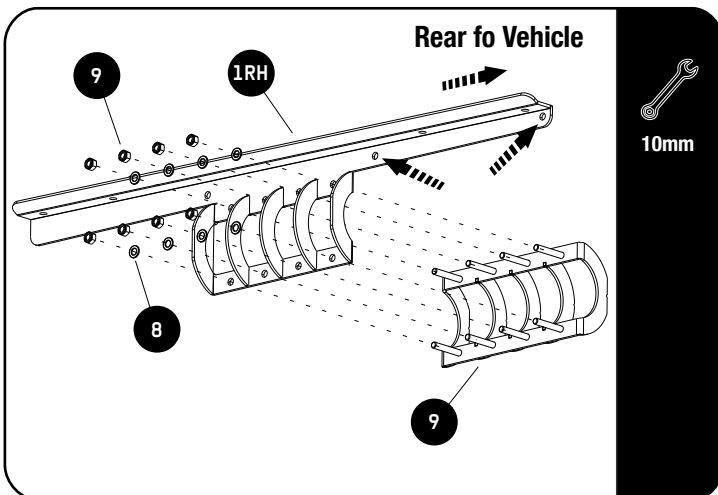
2.5



Loosen velcro, unzip and remove the padding covering the roll bars. Remove the foam shown.

Replace the roof, and fully tighten the six torx bolts holding the rear roof to the vehicle's body.

2.6



The two holes shown must be towards the rear of the vehicle and the ribs of the bracket must be on the inside of the roll bar.

Align the holes in the Inner Brackets (Item 1LH & 1RH) with the holes drilled in 2.3.

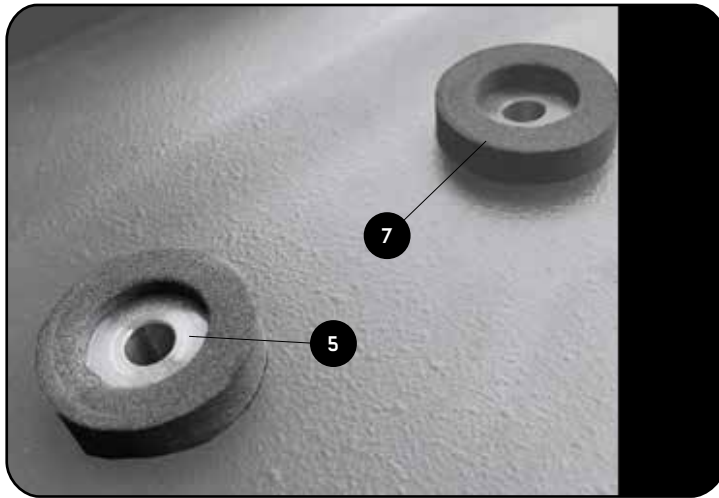
Place the Inner Bracket Clamp (Item 2) around the outside of the roll bar and secure the Inner Bracket (Item 1) to the roll bar using M6 Nyloc Nuts and M6 x 12 x 1 Flat Washers (Items 8 & 9) as shown.

Do this on both left and right side of the vehicle.

2

FIT AND SECURE

2.7



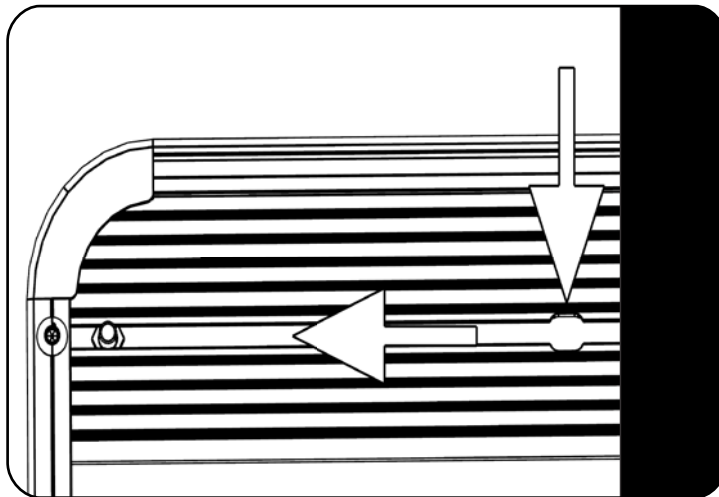
🔄 Clean the area around all the 22mm holes drilled in the roof with a rag and methylated spirits/denatured alcohol.

Insert the Aluminum Spacers (Item 5) into the Foam Washer (Item 7). Remove the paper backing from the Foam washer to expose the adhesive.

Insert the washer/spacer assembly, adhesive side down, into the 22mm holes so that the spacer comes to rest on the Rear Support Brackets underneath.

Firmly press the foam washer all the way around securing it to the roof.

2.8

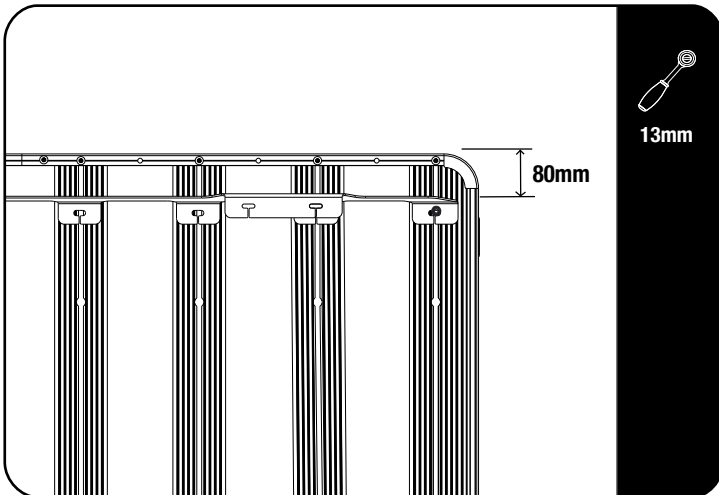


⚠️ For a Full Rack fitment refer to FAJK009 Fitment Guide.

🔄 If not already assembled, assemble your Tray as per the Universal Tray Assembly Instructions (Document RRTUNI)

⚠️ **NOTE:** Before fitting the Wind Deflector, insert two M8 x 16 Hex Bolts (Item 11 from FAJK010) or if you are fitting a full rack (Item 1 from FAJK009) into the first slat (Combined Slat), using the Machined slots. Slide a bolt to each of the outer corners.

2.9



🔄 After fitting the wind deflectors, the tray should still be upside down, loosely mount the Foot Rails (Item 12L & 12R from FAJK010 box) to the Tray using M8 x 20 Hex Bolts, M8 X 16 X 1.6SS Flat Washers and M8 Nyloc Nuts (Items 11, 13 & 14). As before use the machined slots to insert the hex bolts into the Slats.

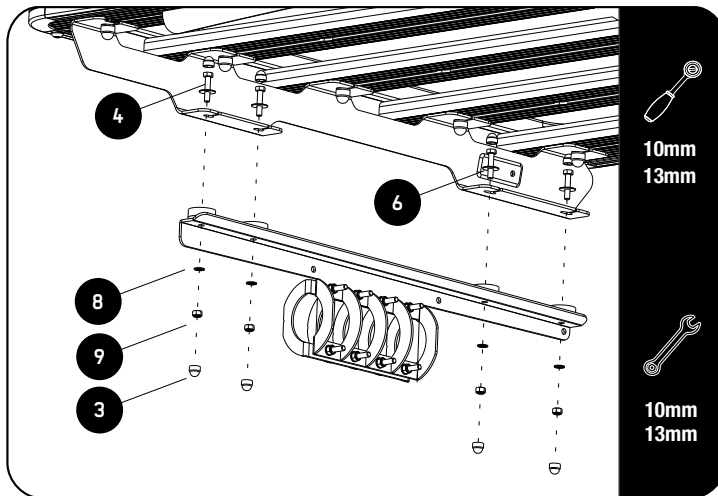
The Foot Rail should be mounted to the tray with the product sticker at the opposite end of the wind deflector.

The rear of the Foot Rail must mount onto the very last Slat (Combined Slat) and approximately 80mm in from the outer edge of the side of the Tray. Do not tighten the bolts yet.

2

FIT AND SECURE

2.10



With the help of a friend, flip the Tray end over end so that it is in the upright position. (The Tray is flipped end over end so that bolts and brackets do not slide left and right).

With one of you on either side of the Tray, lift the Tray and walk it into position above the vehicle, approaching from either the front or the rear of the vehicle.

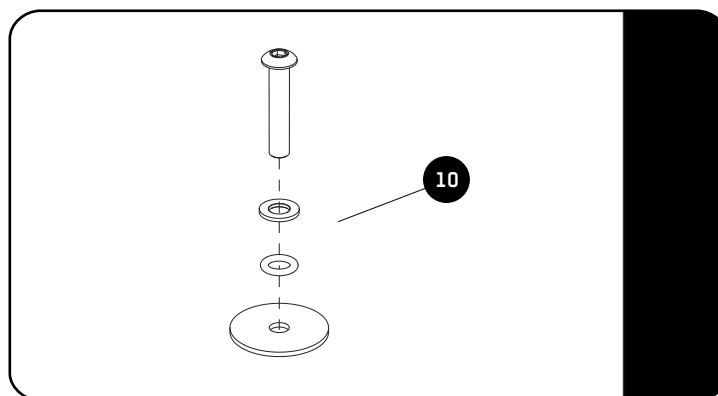
The Foot Rail should still be loose enough to move. Line the brackets up with the holes on the roof and fasten them into position using M6 x 19 x 1SS Flat Washers, M6 x 30 (Items 4, 6, 8 & 9 from FAJK010 box). Centre the tray from left to right. Use a tape measure to double check. Once you are happy that the Tray is in the correct position, fasten all the nuts and bolts, both inside and outside of the vehicle on all brackets that were installed.

Fit the Plastic Nut Caps (Item 3 from FAJK010 box) provided over all the exposed bolts and close up all the roll bar padding.

3

REMOVING YOUR RACK

3.1



Should you wish to remove your rack, you will need to plug the holes you drilled in the roof (Step 3.4), using the supplied Sealing Plug Assemblies.

Remove the Tray, Front Uprights and the Foot Rail, by reversing the installation procedure. Leave the Foam Washer and the Aluminum Spacers in place. Screw in the Sealing Plugs reusing the M6 Nyloc Nuts and Washers that held the Foot Rail in position.

4

TAKE A TRIP

4.1 After your first adventure, check that all nuts, bolts, screws and fittings are tight. Re-tighten where needed. You'll find a small amount of settling has happened.

Go on many more adventures, periodically checking all nuts, bolts, screws and fittings.



Front Runner can not recommend a maximum load carrying capacity. Please refer to your vehicle manufacturer's recommendations

5

COMPLETION

5.1

Congratulations! You did it. Take a step back and admire your work!



6

INSTALL OTHER VEHICLE AND RACK ACCESSORIES

Now's the time to visit your favorite Front Runner Dealer in person or online.

IMPORTANT!

FRONT RUNNER RACK KITS OFTEN HAVE A HIGHER LOAD RATING THAN THE VEHICLES THEY ARE MOUNTED TO. PLEASE REFER TO YOUR SPECIFIC VEHICLE MANUFACTURER FOR A RECOMMENDED ROOF RATING. FRONT RUNNER CANNOT BE RESPONSIBLE FOR IMPROPER LOADING BEYOND THE VEHICLE MANUFACTURER'S STATED LOAD CAPACITY.

Be sure to tag us. We love to see our gear in action! #FrontRunnerOutfitters #BornToRoam

Share your adventures on: 