

READ ME !

Thank you for purchasing a Front Runner Gas/Propane Holder.

Before you start, take a moment to familiarize yourself with the Fitting Instructions and the components received.

Refer to Page 2 for a list of all the components, quantities and tools required.

IMPORTANT WARNING!

IT IS CRITICAL THAT ALL FRONT RUNNER PRODUCTS BE PROPERLY AND SECURELY ASSEMBLED AND ATTACHED TO YOUR VEHICLE. IMPROPER ATTACHMENT COULD RESULT IN AN AUTOMOBILE ACCIDENT, AND COULD CAUSE SERIOUS BODILY INJURY OR DEATH. YOU ARE RESPONSIBLE FOR ASSEMBLING AND SECURING ALL FRONT RUNNER PRODUCTS TO YOUR VEHICLE, CHECKING THE ATTACHMENTS PRIOR TO USE, AND PERIODICALLY INSPECTING THE PRODUCTS FOR ADJUSTMENT, WEAR AND DAMAGE. THEREFORE, YOU MUST READ AND UNDERSTAND ALL OF THE INSTRUCTIONS AND PRECAUTIONS SUPPLIED WITH YOUR FRONT RUNNER PRODUCT PRIOR TO INSTALLATION OR USE. IF YOU DO NOT UNDERSTAND ALL OF THE INSTRUCTIONS AND CAUTIONS, OR IF YOU HAVE NO MECHANICAL EXPERIENCE AND ARE NOT THOROUGHLY FAMILIAR WITH THE INSTALLATION PROCEDURES, YOU SHOULD HAVE THE PRODUCT INSTALLED BY A PROFESSIONAL INSTALLER OR OTHER QUALIFIED PERSONNEL.

NOTE: Front Runner will not be responsible for any damage caused by the failure to install the product according to these instructions.

Please call us if you have any questions about the installation of this product.

1

GET ORGANIZED

IN THE BOX

1	1 X	Frame
2	1 X	Base
3	2 X	Hinge
4	1 X	Latch Bracket
5	1 X	Catch Bracket
6	12 X	M6 Nut Cap
7	12 X	M6 Nyloc Nut
8	24 X	M6 x 12 x 1SS Flat Washer
9	12 X	M6 Nylon Washer
10	12 X	M6 x 12 Button Head Bolt
11	2 X	M6 x 19 x 1SS Flat Washer
12	2 X	M6 SS Spring Washer
13	2 X	M6 x 60 Cap Screw
14	1 X	M8 Nyloc Nut
15	1 X	M8 x 25 x 2 Flat Washer
16	1 X	M8 x 30 Hex Bolt
17	1 X	M8 Nut Cap

TOOLS NEEDED

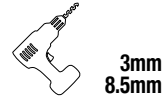
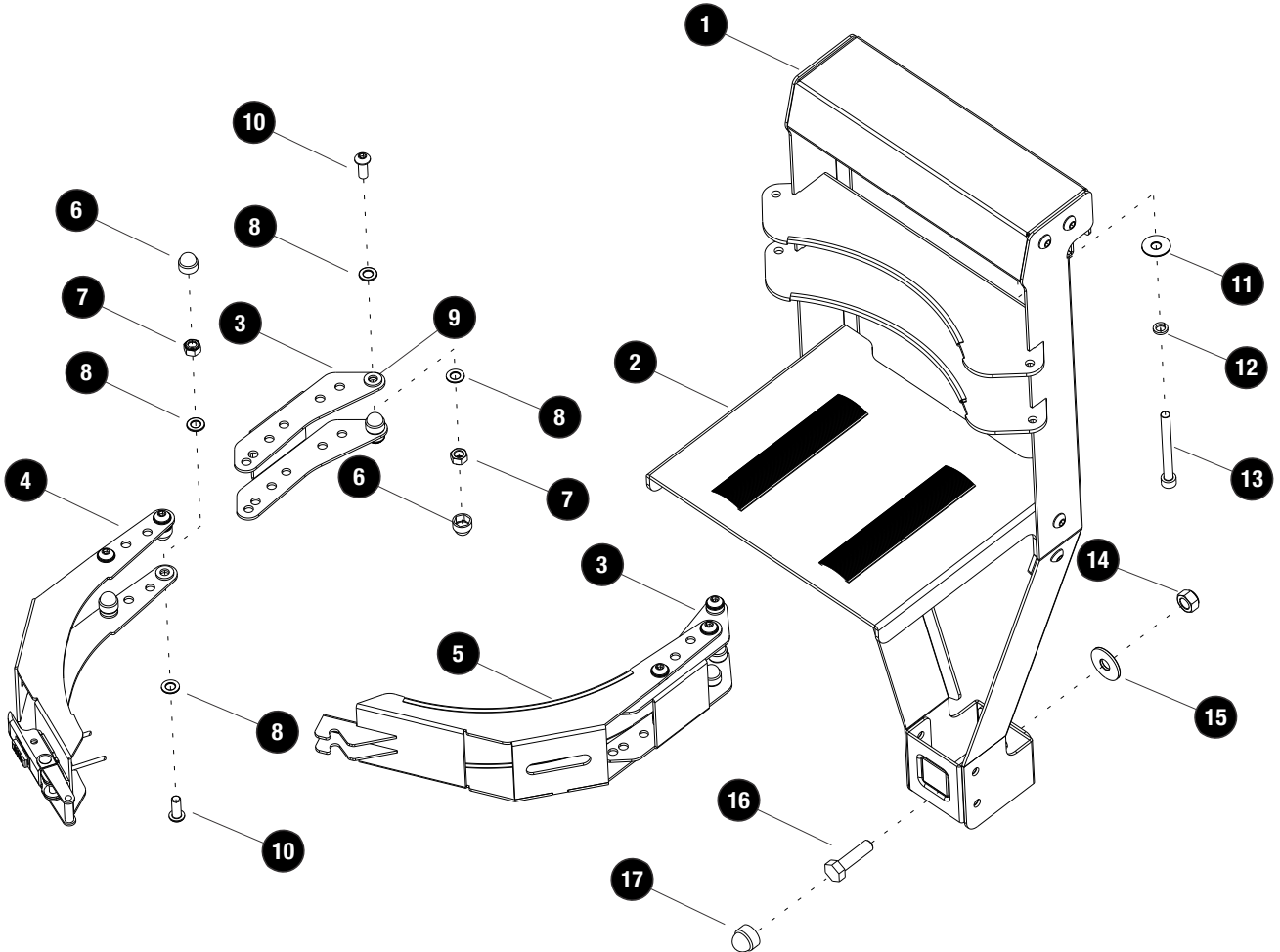
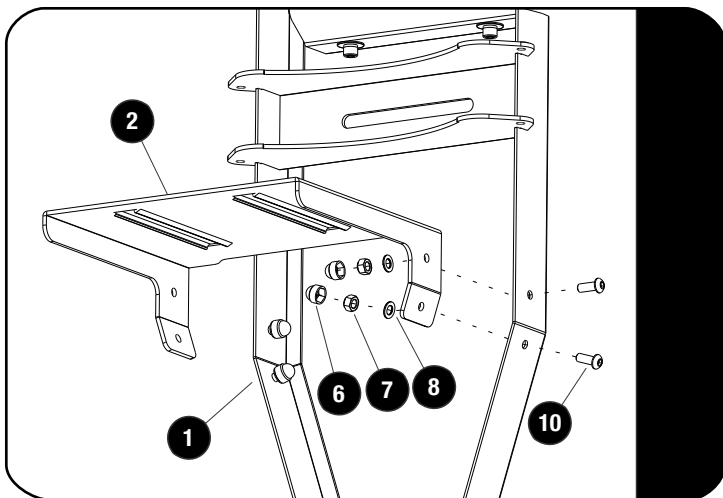



FIGURE 1.1



2**FIT AND SECURE**

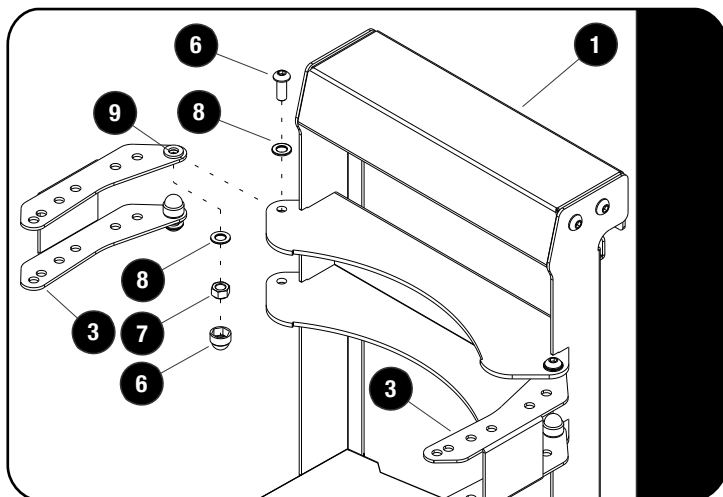
2.1



 Assemble the Base (Item 2) to the Frame (Item 1) using M6 x 12 Button Head Bolts, M6 x 12 x 1 SS Flat Washers and M6 Nyloc Nuts (Items 7, 8 & 10) as shown.

Place M6 Nut Caps (Item 6) on the Nyloc Nuts to finish of.

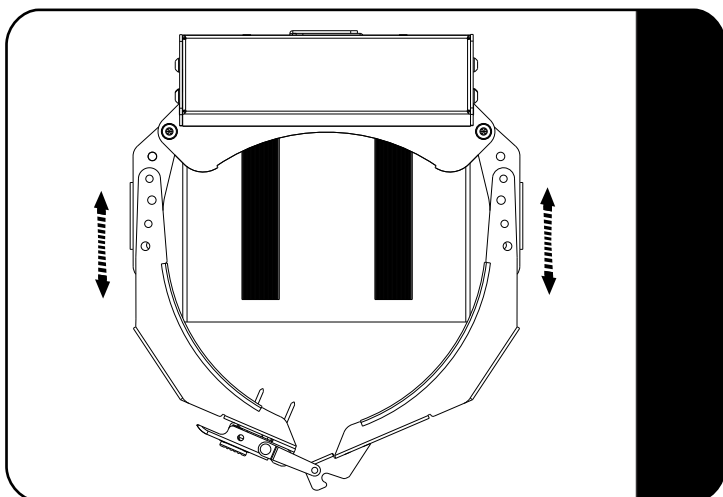
2.2




 Assemble the Hinges (Item 3) to the Frame (Item 1) using M6 x 12 Button Head Bolts, M6 x 12 x 1 SS Flat Washers, M6 Nylon Washers and M6 Nyloc Nuts (Items 7, 8, 9 & 10) as shown.

The M6 Nylon Washers (Item 9) go between the Frame and the Hinge.

2.3



 You will need to set the Latch and Catch Brackets (Items 4 & 5) according to the size of Gas/Propane bottle you are fitting.

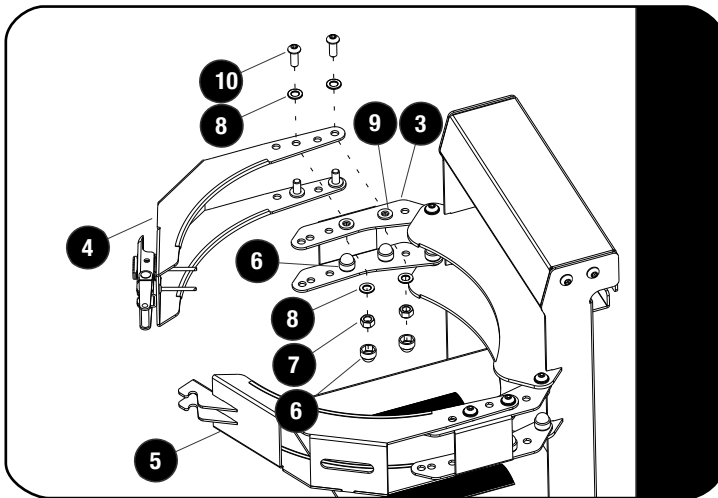
Do this by placing the bottle on the Base. Align the appropriate holes in the Latch and Catch Brackets with the holes in the Hinges.

See 2.4 for assembly of the Latch and Catch Bracket.

2

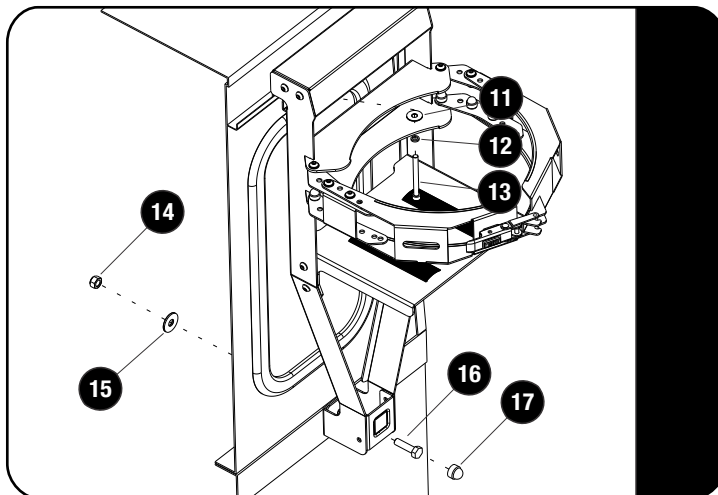
FIT AND SECURE

2.4



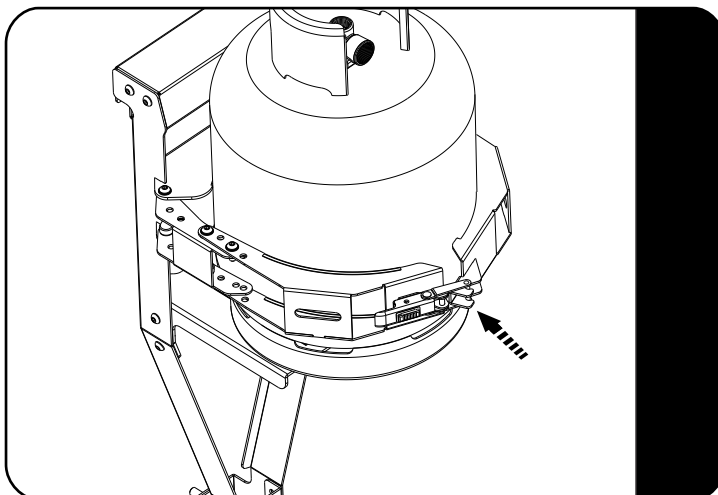
Assemble the Latch and Catch Brackets (Item 4 & 5) to the Hinges (Item 3) using M6 x 12 Button Head Bolts, M6 x 12 x 1 SS Flat Washers, M6 Nylon Washers and M6 Nyloc Nuts (Items 7, 8, 9 & 10) as shown.
The M6 Nylon Washers (Item 9) go between the Brackets and the Hinge.

2.5



Hang the Gas/Propane Bottle Holder on the right rear of the vehicle and align vertically. Mark the mounting hole location. Remove the Holder and drill a 3mm pilot hole into the vehicle. Open your pilot hole up with a 8.5mm drill.
Hang the Holder back and using M6 x 60 Cap Screw, M6 SS Spring Washers and M6 x 19 x 1SS Flat Washers (Items 11, 12 & 13) to clamp the holder onto the gutter.
Use the M8 x 30 Hex Bolt, M8 x 25 x 2 Flat Washer and M8 Nyloc Nut (Items 14, 15 & 16) to secure the Holder at bottom as shown. Place an M8 Nut Cap (Item 17) on the bolt head to finish of.

2.6



Hook the latch into the catch and engage to clamp the bottle in place.
See that there is no movement of the bottle after you have latched it in place.

3

FINISH

Congratulations! You did it. Take a step back and admire your work!

4

INSTALL OTHER VEHICLE AND RACK ACCESSORIES

Now's the time to visit your favorite Front Runner Dealer in person or online.

Be sure to tag us. We love to see our gear in action! #FrontRunnerOutfitters #BornToRoam

Share your adventures on:

