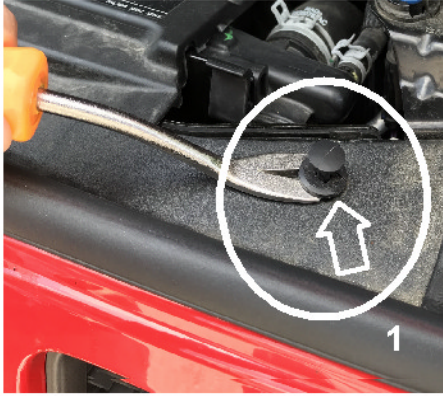




CFE PRODUCTS
JK CUSTOM LIGHT MOUNT BRACKET
MODEL #JL- LMB
Jeep Wrangler JL / JT 2018 & UP

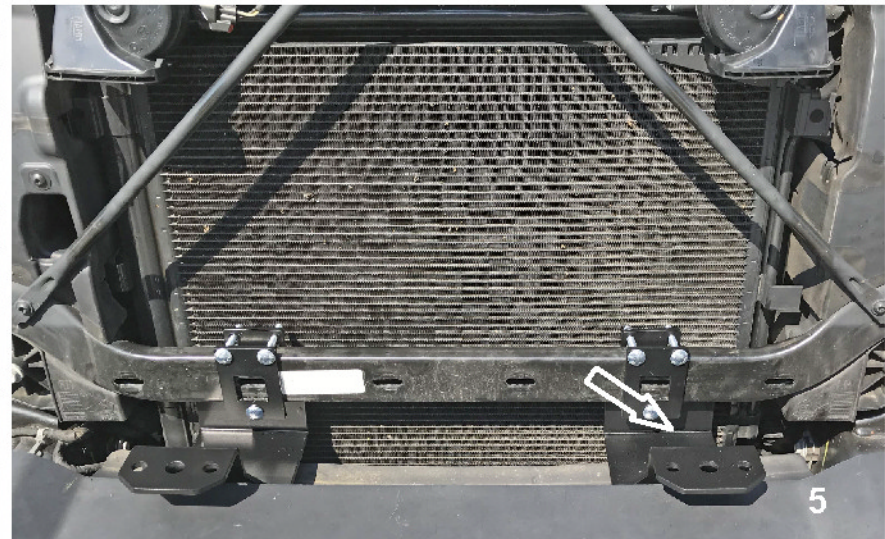
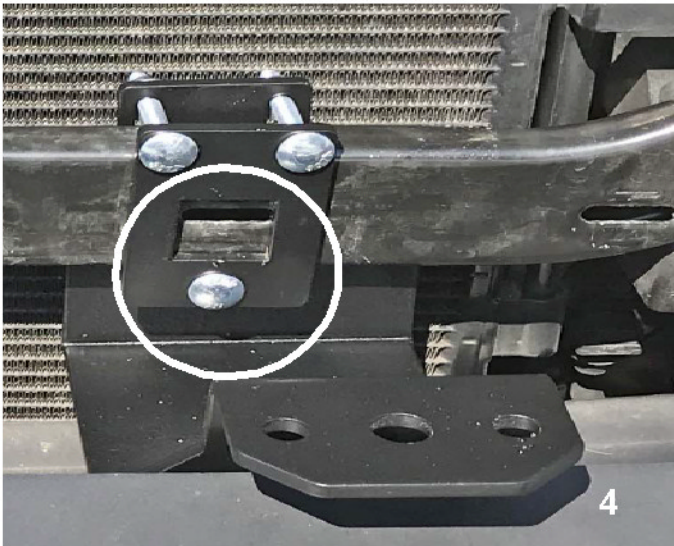
Parts included :

- 2 Light mount brackets
- 2 clamp plates
- 6 1 3/4 inch stainless carriage bolts
- 6 stainless flat washers
- 6 nylock nuts (stainless)



1. Remove the Push Clips that are holding the Grill on (6 locations) using a small flat edge screw driver or trim tool as shown in picture # 1.

2. Pull the top of the Grill forward then pull out the bottom of the Grill to unsnap the bottom clips as shown in picture # 2. Remove Grill and set aside.



5. Pay attention to picture #5, take notice of the off set in the brackets. Lay the brackets out to match picture #5. (Bracket Alignment and Off Set shown in picture #5 is the position needed to install the Quadratec LED Light Bar ,

Quadratec Part # : 97109.1011 (sold separately).

By flipping the brackets and changing the off sets from left to right or by sliding the brackets closer together, different mounting widths can be obtained for use with other lights. DO NOT BLOCK SLOTS. Page 2 will give layout options.

6. Loosely attach the Clamp Plate to the Mount using only the single bottom Carriage Bolt & Nut on each bracket as shown by the white circle in picture #4. (The double hole goes toward the top) This will allow you to slip the Mount under the Lower Grill Frame and then loosely install the top 2 Carriage Bolts & Nuts. Position the Mounts on the Lower Grill Frame on each side. Make sure that the square hole in the Front Clamp Plate aligns with the slot on the Grill Frame as shown in picture #4.

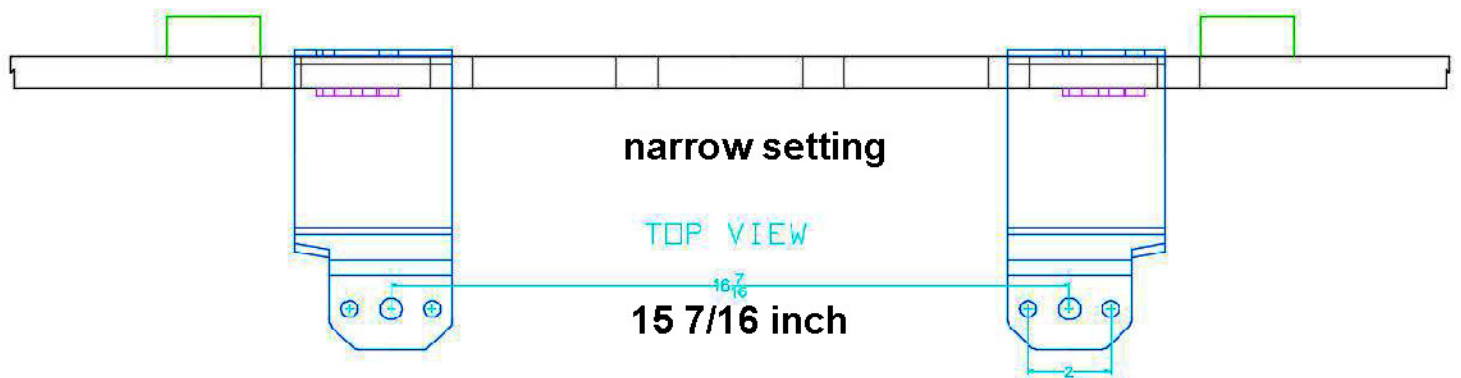
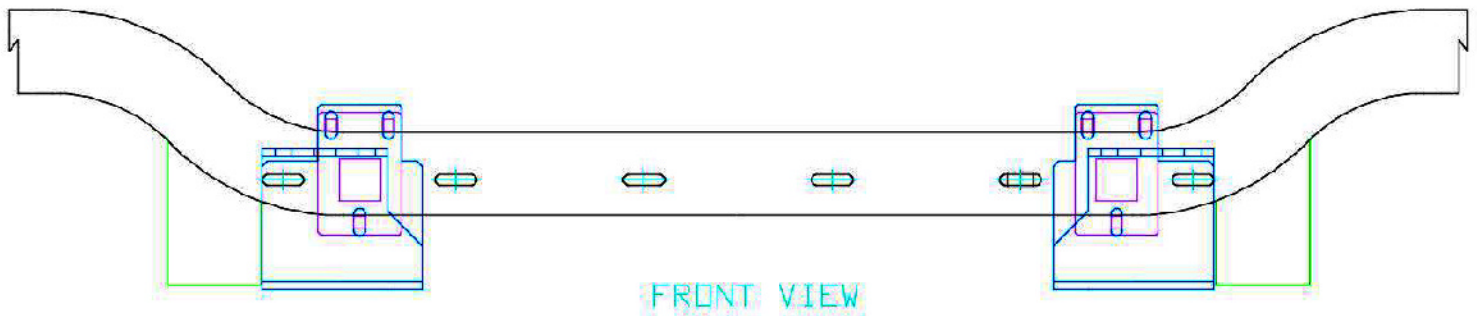
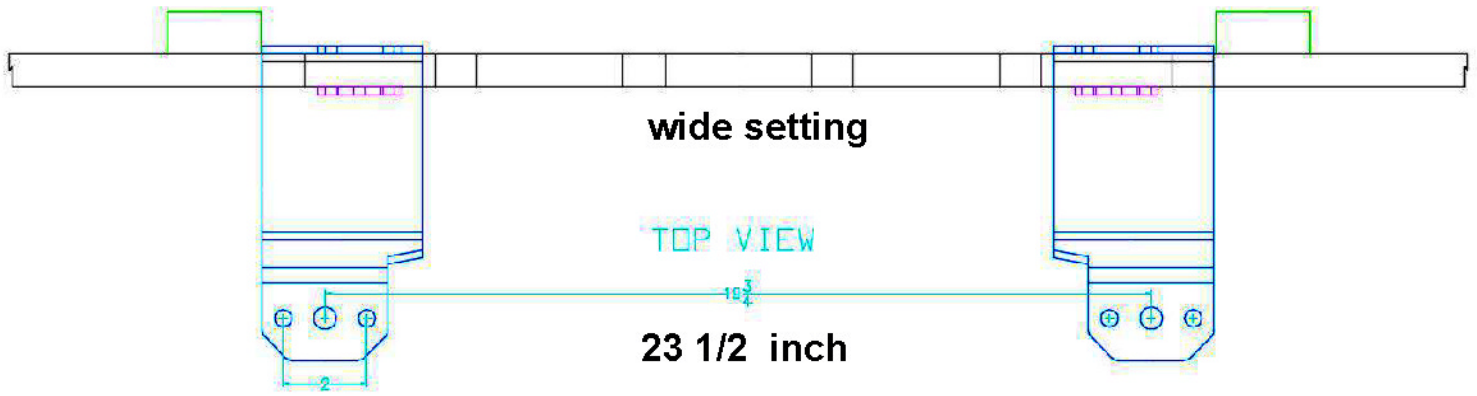
DO NOT BLOCK ANY SLOTS or you will not be able to reinstall the grill.

- 7. Tighten all Nuts evenly with a 7/16" Open End Wrench.
- 8. Verify the Brackets are positioned correctly and the Bolts are tight then reinstall the Grill.
- 9. Congratulations, you are now ready to install your driving lights. Picture # 6 shows a finished installation using Quadratec LED Lights

Part # Quadratec Part # : 97109.1082 (sold separately).



Using the brackets with either the wide offset or the narrow offset and moving them closer together they can be adjusted to fit many different lights. Make shure that none of the slots in the grill support are blocked or you will not be able to install the grill.



With the offset in the narrow position brackets can moved toward the center until they almost touch

