

GOBI JEEP JK WRANGLER RECON ROOF RACK INSTALLATION INSTRUCTIONS

The rack must be inspected before each use to make certain attachments are secure, and for evidence of wear. Misuse of the rack or failure to observe the manufacturer's instructions as to installation, proper Attachment and maintenance will void warranties that may be implied by law.

TOOLS REQUIRED FOR INSTALLATION:

- 1- 16mm socket or 16mm box end (rear bumper)
- 1- 9/16 socket and 9/16 box end wrench
- 1- 3/4 socket and 3/4 box end or adjustable wrench
- 1- 1/2" open end wrench
- 1- Torx bit T-40

GOBI JEEP JK WRANGLER RECON ROOF RACK INSTALLATION INSTRUCTIONS


Guidelines:

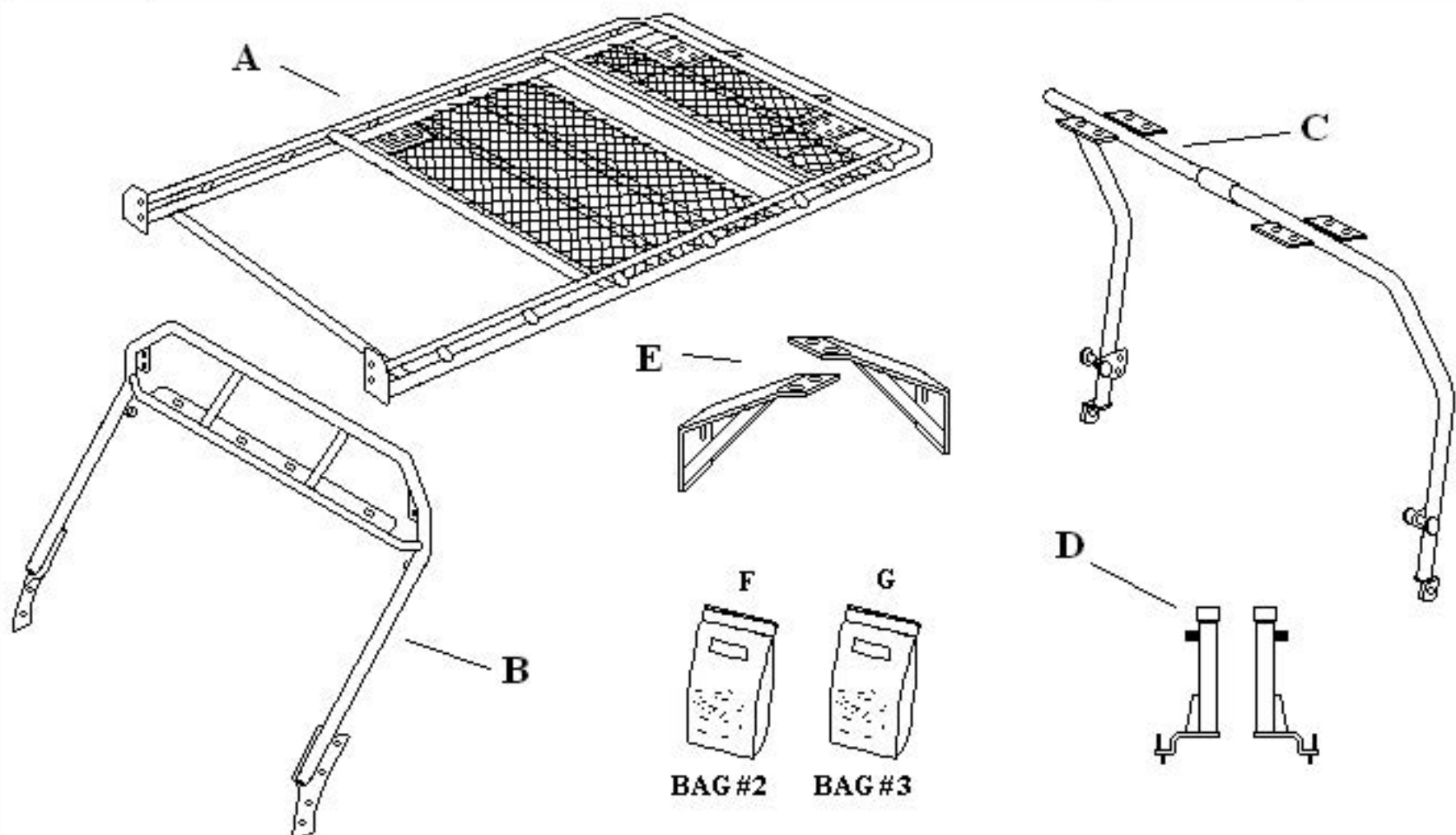
When using Load Carriers and Accessories, the user must understand the precautions. The points listed below will assist you in using the rack /carrier system and will encourage safety.

- For quality fits and safty, use only the recommended rack or accessory. Do not assume an accessory will fit, always check with dealer when obtaining new accessories. Use only approved accessories on load carriers. Using other brands will void your warrenty.
- Make sure all knobs, bolts, screws, straps, and locks are firmly attached, tightened and locked before every trip. Knobs, bolts, screws, straps, and locks must be periodically inspected for signs of wear, corrosion, and fatigue. Check your load at stops during the trip to insure continued fastening security.
- Check local and state laws governing projection of objects beyound the width of a vehicle. **Be aware of the width and height of your cargo since low clearance branches, bridges, and parking garages can affect the load** All cargo will affect the vehicle's driving behavior. Never drive with any lock, know, or rack in an open or unlocked position. All long loads such as, but not limited to sailboards, surfboards, kayaks, canoes, and lumber must be tied down front and rear to the bumpers or tow hooks, of the vehicle.
- Remove your rack accessories when they are not in use, before intering car washes, prior to taking in your vehicle for service, and whenever clearance may be an issue.
- All locks must be turned and moved periodically to insure smooth operation. Use graphite or similar dry lubricant to help this. Locks are designed to deter vandalism and theft. Remove valuable gear if your vehicle is unattended for an extended period. Place at least one key in the glove compartment.
- For safety to your vehicle and rack system, obey all posted speed limits and traffic cautions. Adapt your speed to the conditions of the road and the load being carried.
- Do not use load carriers and accessories for purposes other than those for which they were designed. Do not exceed their carrying capacity.
- Consult with your dealer if you have any questions regarding the operations and limits of this product. Review all instructions carefully.

GOBI JEEP JK WRANGLER RECON ROOF RACK INSTALLATION INSTRUCTIONS

Included in kit

Letter	Description	Location	Quantity
A	GOBI JK JEEP WRANGLER ROOF RACK	Main box	1
B	GOBI JK JEEP FRONT LIGHT BAR	Strapped to Rack	1
C	REAR ROOF RACK SUPPORT BAR	Strapped to Rack	1
D	Rear Rack Support Towers Passenger and Drivers Side	Hardware Box	1 ea.
E	Rear Tower Support Plate Passenger and Driver's Side	Hardware Box	1 ea.
F	<p><u>CONTENTS:</u> GOBI RACK MOUNTING HARDWARE</p> <p>4 Nylon Shoulder washers 24- 3/8" Flat washers Grade 8 yellow zinc 4 1/2" Flat Washers SS 16- 3/8" Nuts Grade 8 nylock yellow zinc 2- 1/2" x 2-1/2" Hex Head Bolts SS 4- 3/8x 1" Carrage Bolt SS 2- 1/2" Nylock nut grade 8 1- Packet of Anti-seize lubricant 8- 3/8-16 x 1" Hex Head Bolts SS</p>	BAG #2 Hardware Box	1
G	<p>GOBI RACK ISOLATOR HARDWARE</p> <p><u>CONTENTS:</u> 2- Black Triangular adhesive backed wear plates (Place on vehicle body under Rubber Isolators 21) 2- 1" Round Black Nylon adhesive backed wear plate (Place on vehicle body under Tower stand offs (13) 2- 1-1/4" Round Brown adhesive backed wear pads</p>	 BAG #3 Hardware Box	1



GOBI JEEP JK WRANGLER RECON ROOF RACK INSTALLATION INSTRUCTIONS

The rack must be inspected before each use to make certain attachments are secure, and for evidence of Wear. Misuse of the rack or failure to observe the manufacturer's instructions as to installation, proper Attachment and maintenance will void any warranties that may be implied by law.

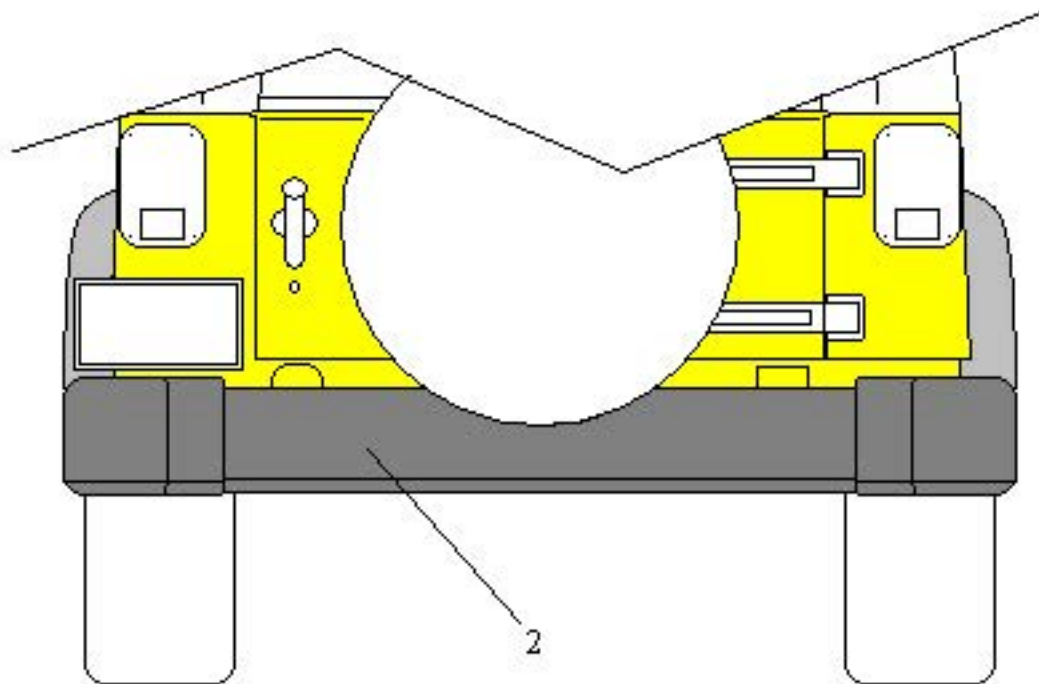


Fig. 1

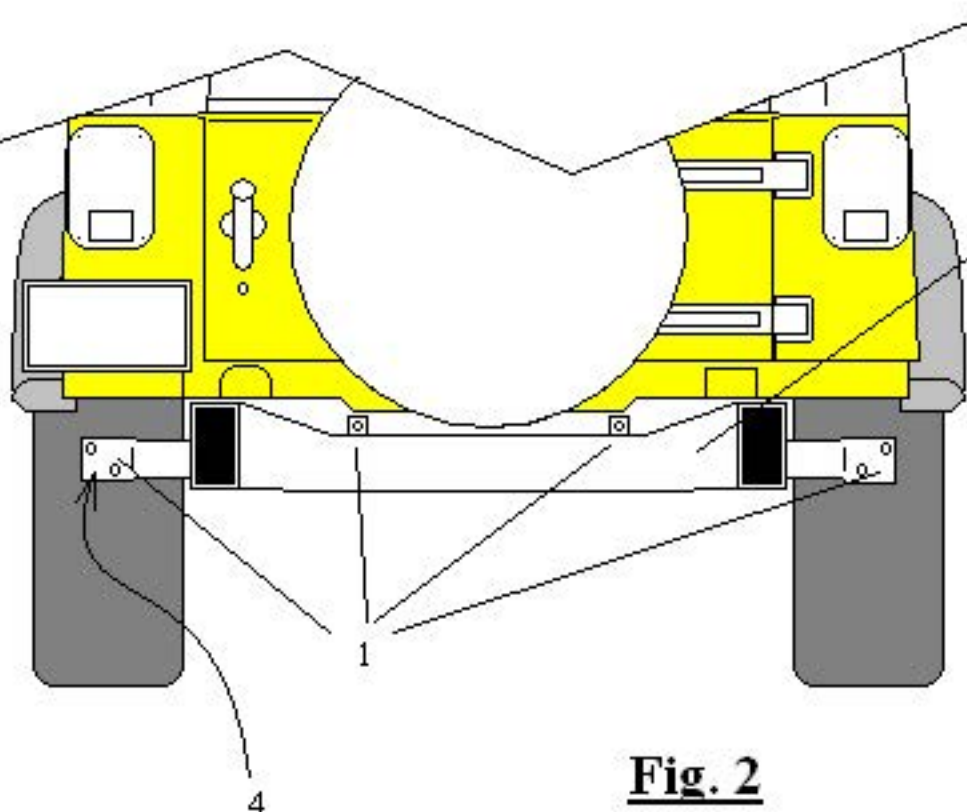


Fig. 2

Rear Passenger Side View
without Bumper in place

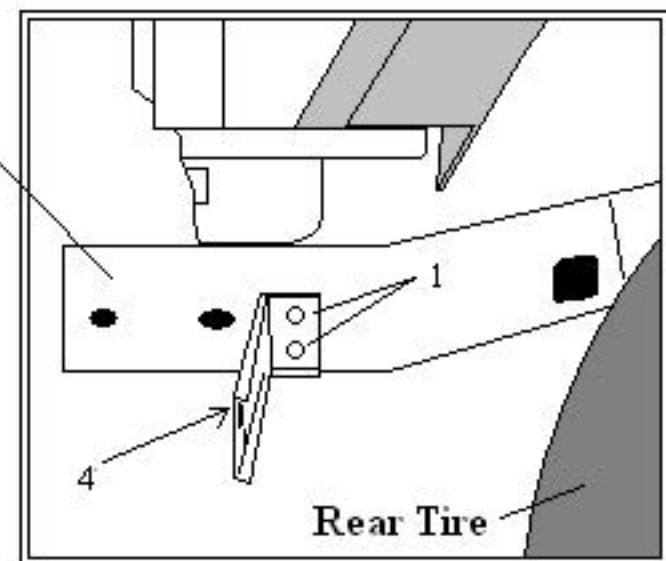
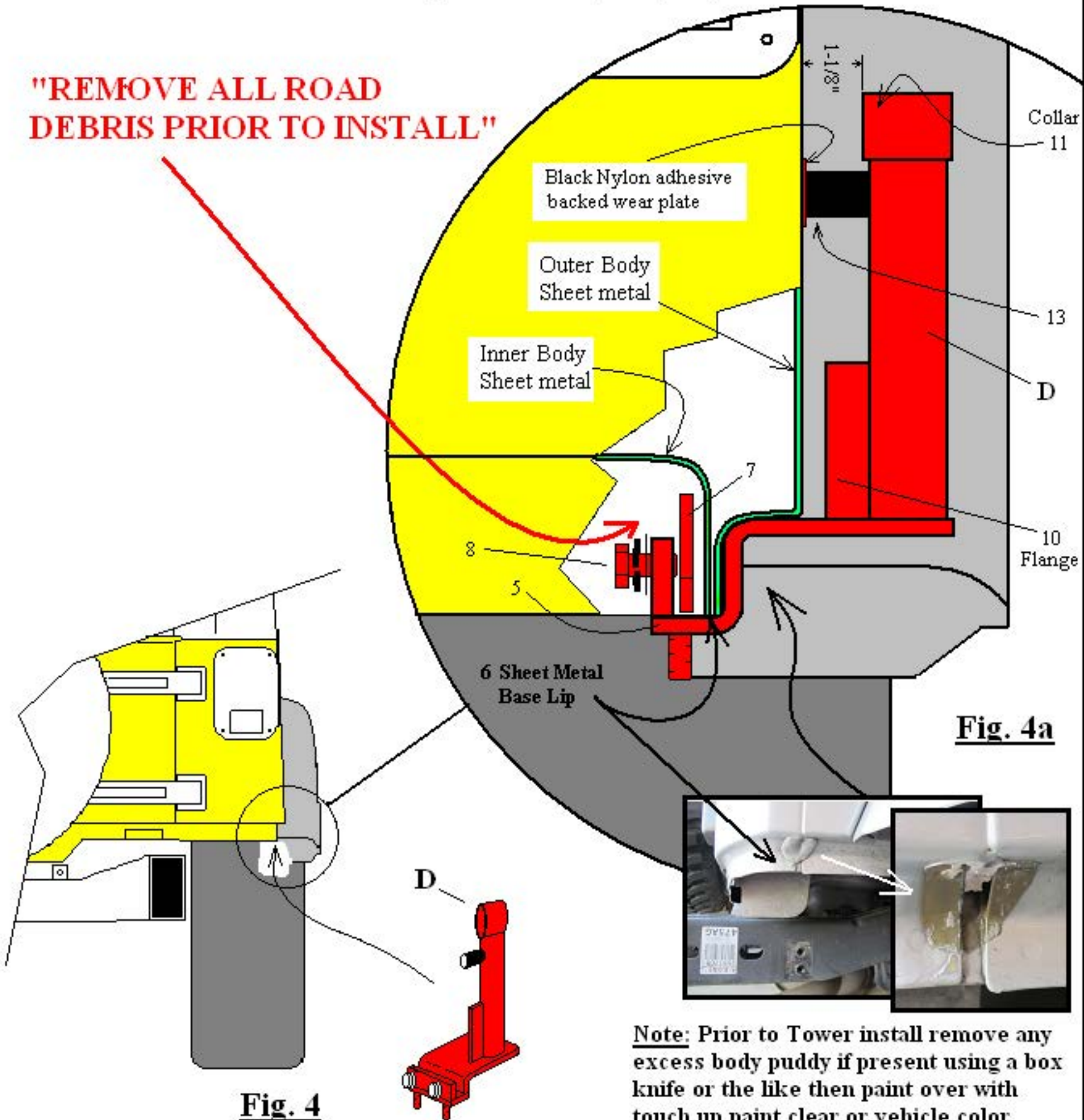


Fig. 3

GOBI JEEP JK WRANGLER RECON ROOF RACK INSTALLATION INSTRUCTIONS

The rack must be inspected before each use to make certain attachments are secure, and for evidence of Wear. Misuse of the rack or failure to observe the manufacturer's instructions as to installation, proper Attachment and maintenance will void any warranties that may be implied by law.

**"REMOVE ALL ROAD
DEBRIS PRIOR TO INSTALL"**



GOBI JEEP JK WRANGLER RECON ROOF RACK INSTALLATION INSTRUCTIONS

Rear Passenger Side view

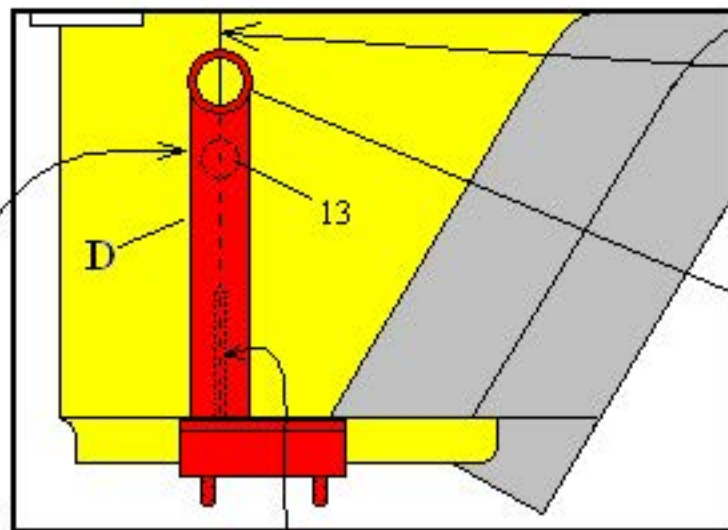


Fig. 6

12
Rear Vehicle Body Seam

Place 1" round Black Nylon adhesive backed wear plate directly behind Black Nylon isolator 13 and directly on seam 12

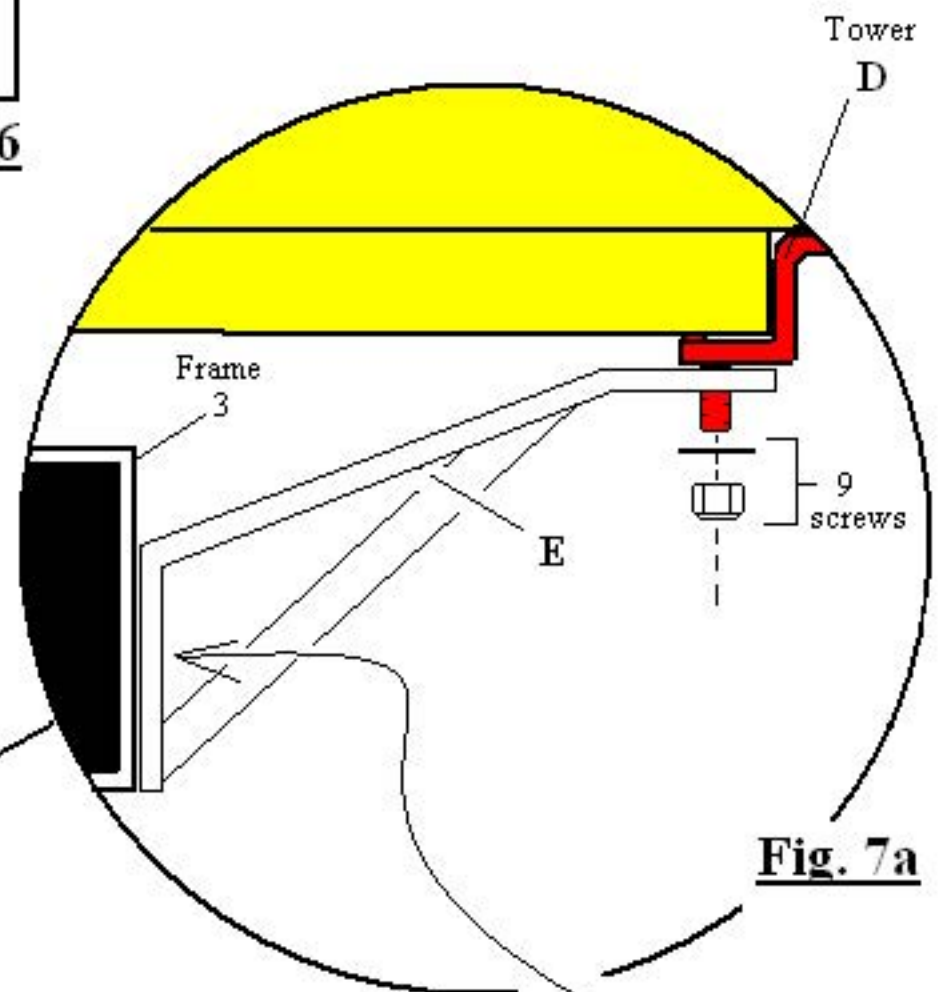


Fig. 7a

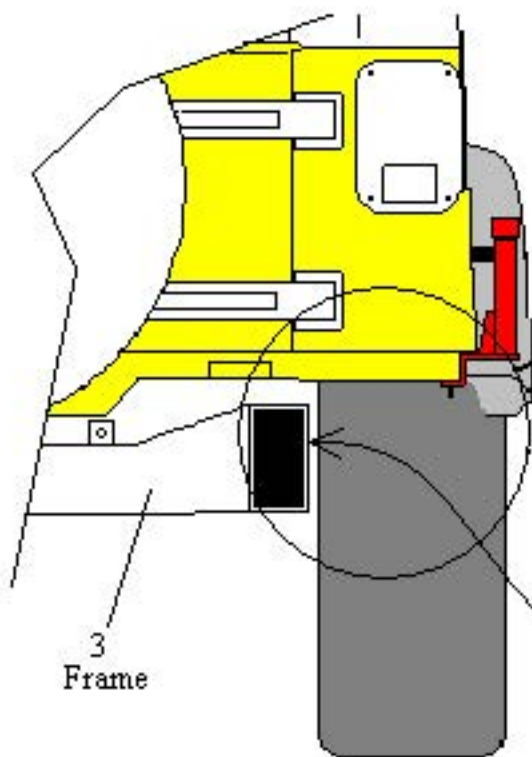
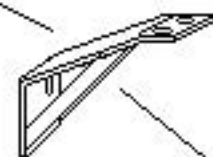
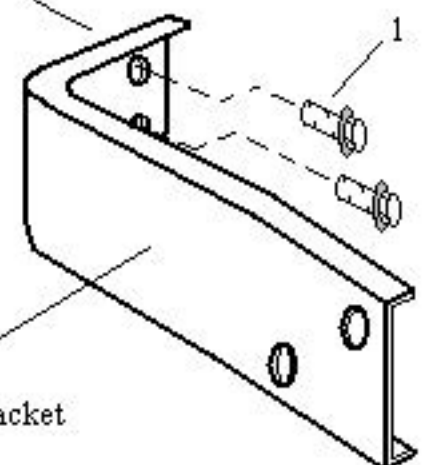


Fig. 7



E



4
L-Bracket

GOBI JEEP JK WRANGLER RECON ROOF RACK INSTALLATION INSTRUCTIONS

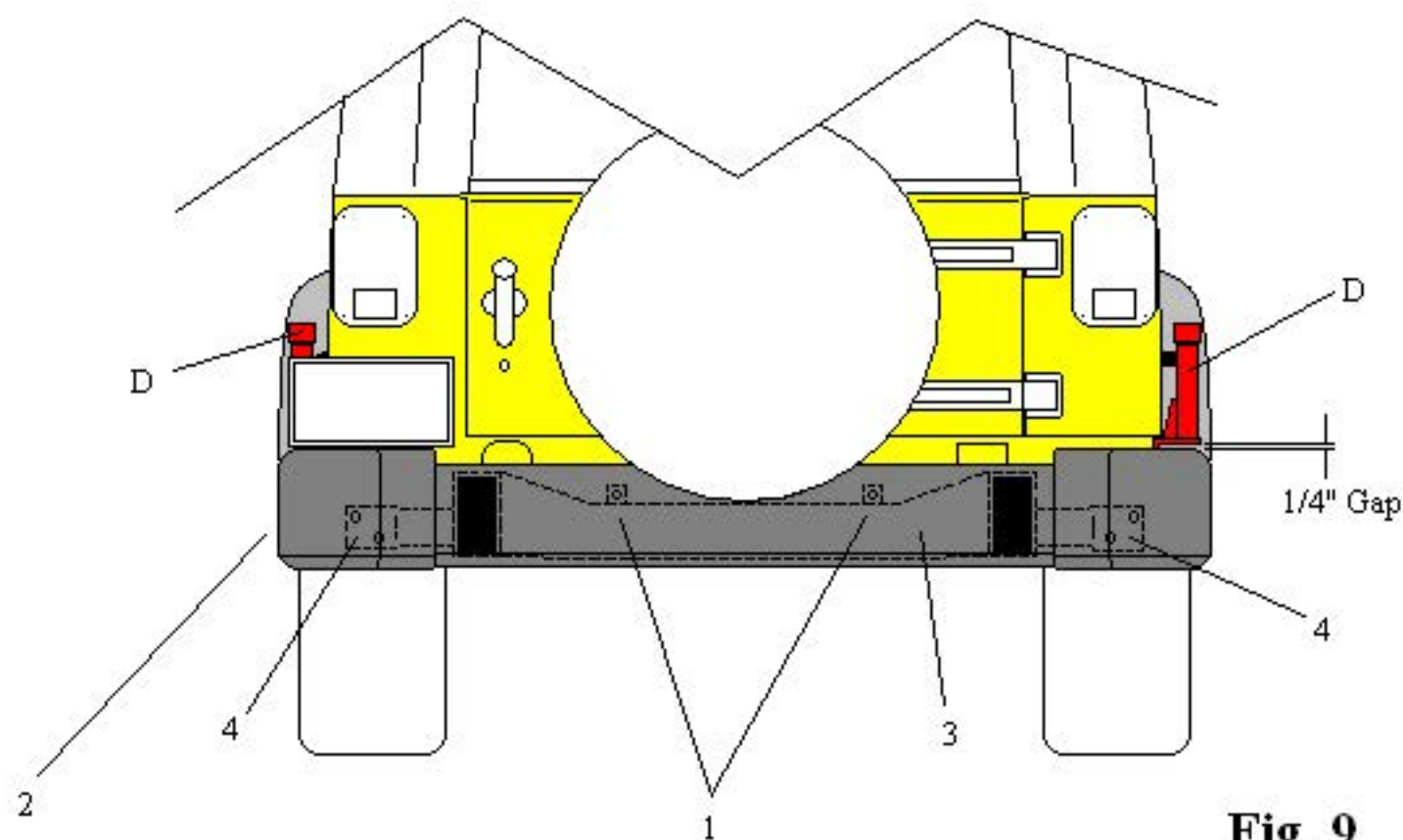


Fig. 9

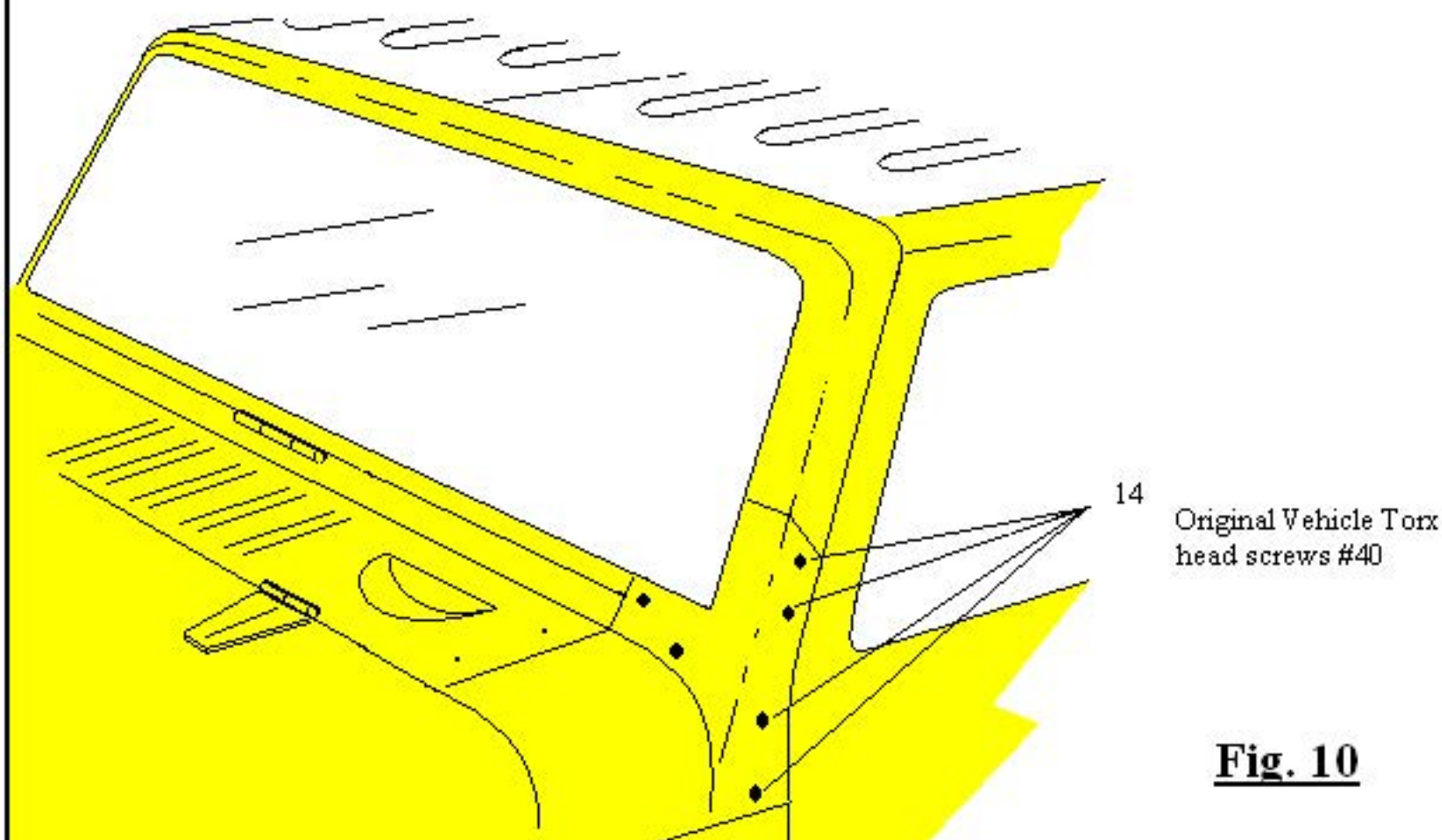
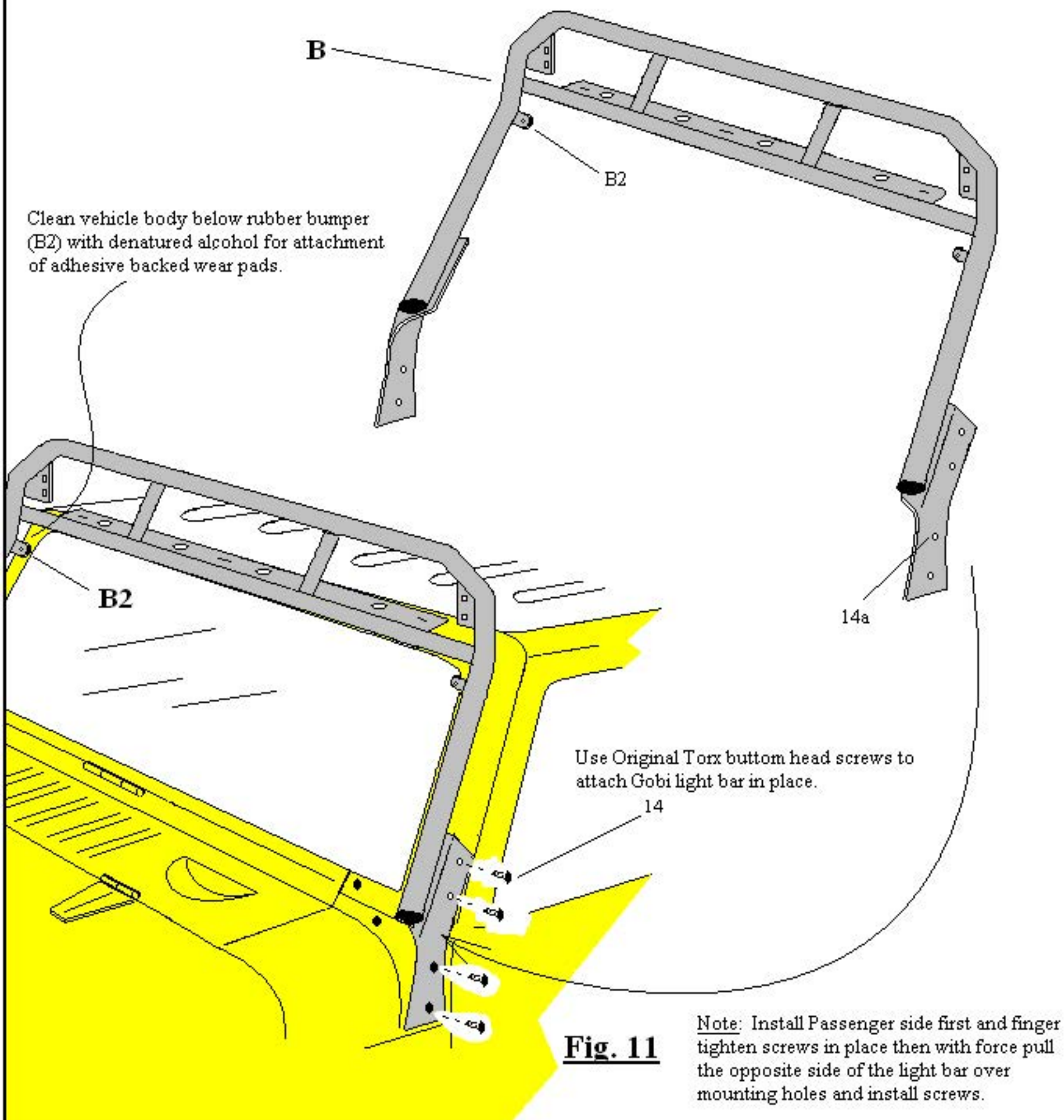


Fig. 10

GOBI JEEP JK WRANGLER RECON ROOF RACK INSTALLATION INSTRUCTIONS



GOBI JEEP JK WRANGLER RECON ROOF RACK INSTALLATION INSTRUCTIONS

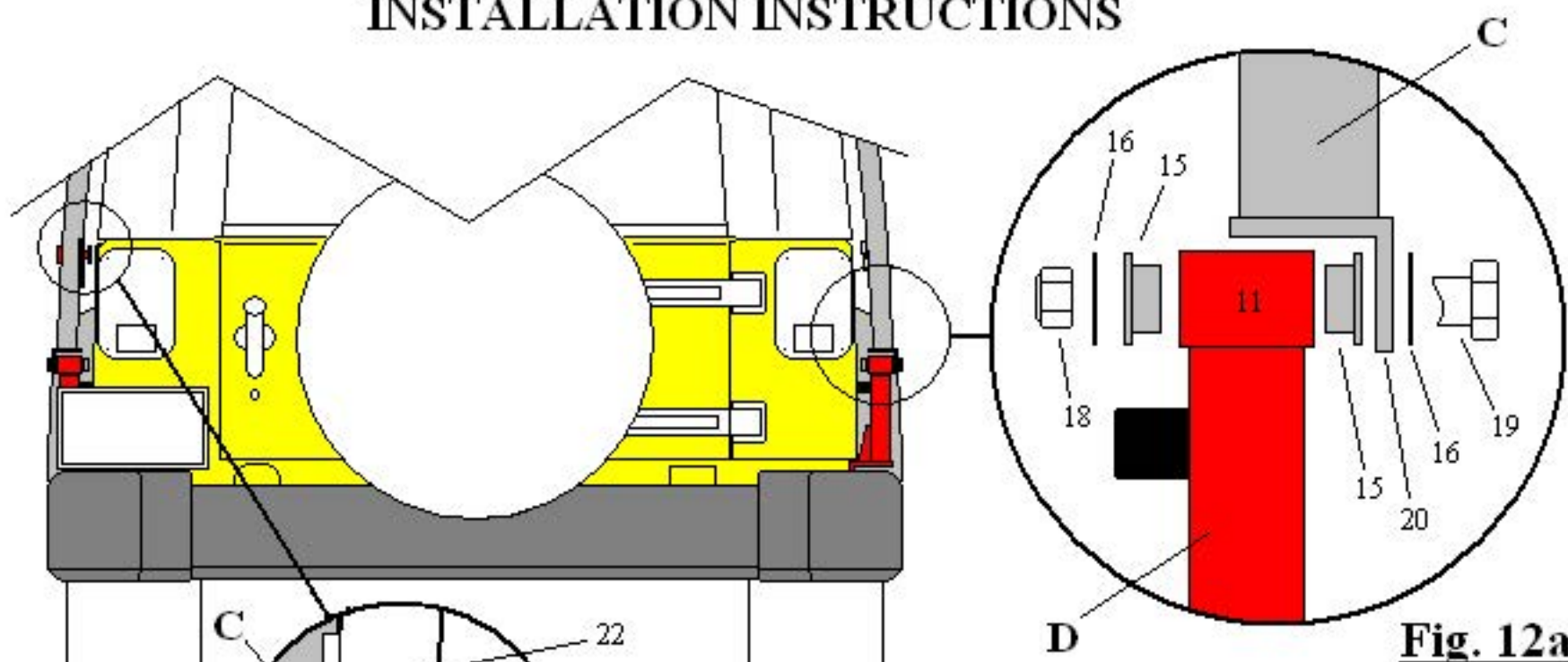


Fig. 12a

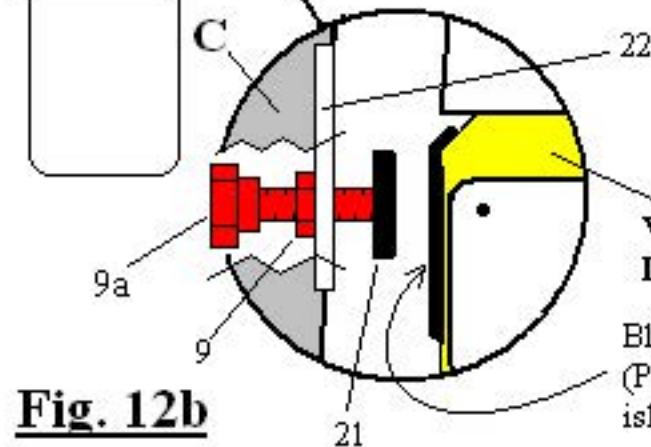


Fig. 12b

**Vehicle Body
Drivers Side**

Black Triangular adhesive backed wear plate
(Place on vehicle body under each Rubber
isolator #21)

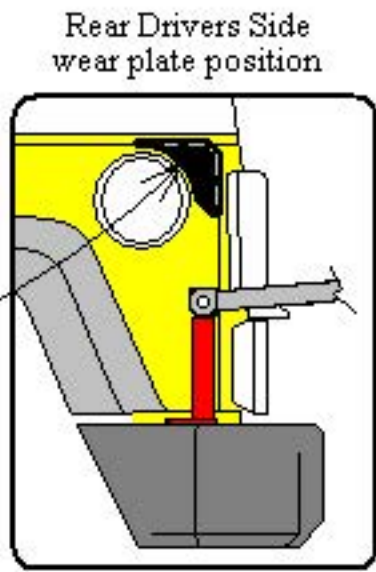


Fig. 12c

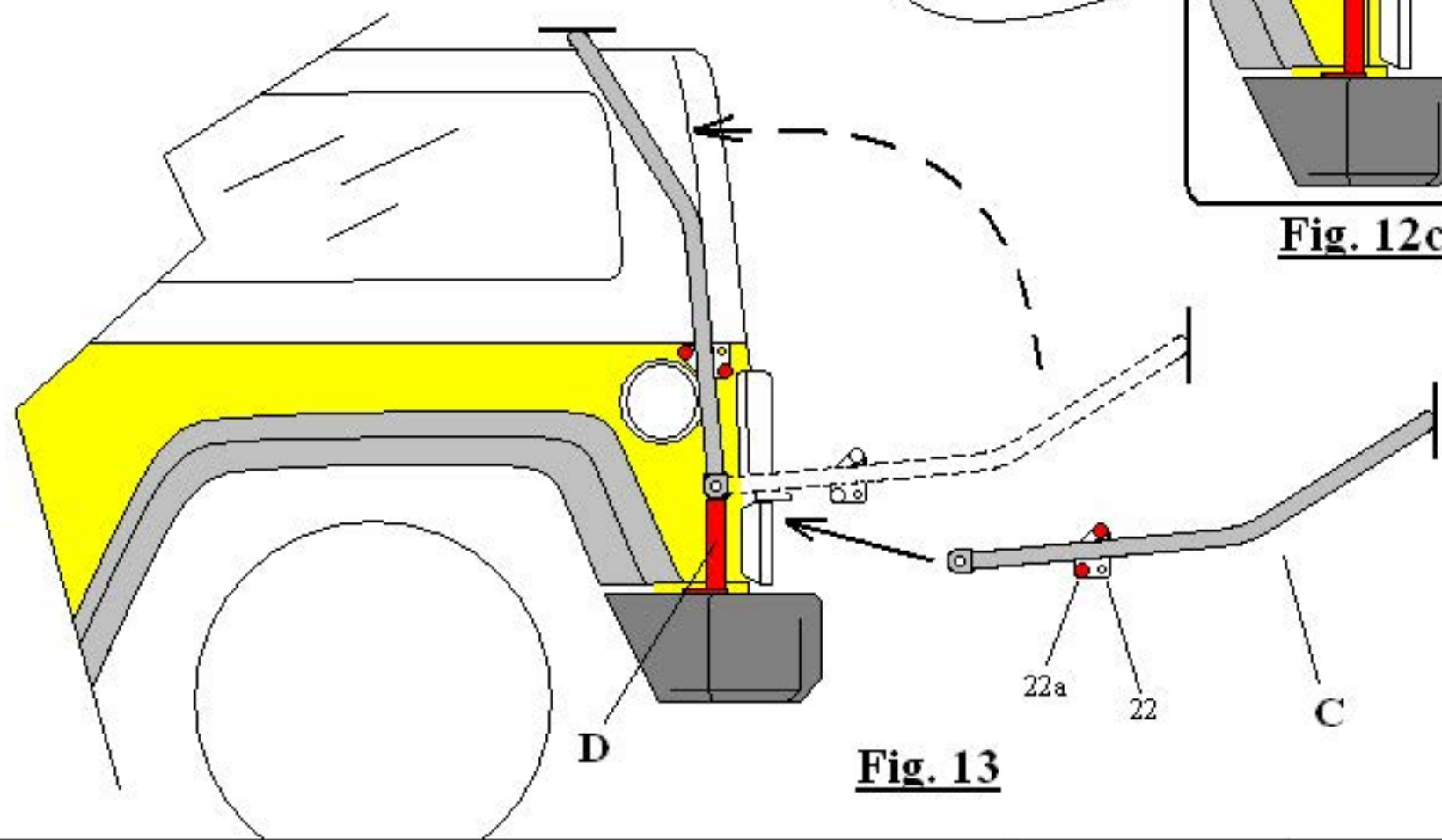
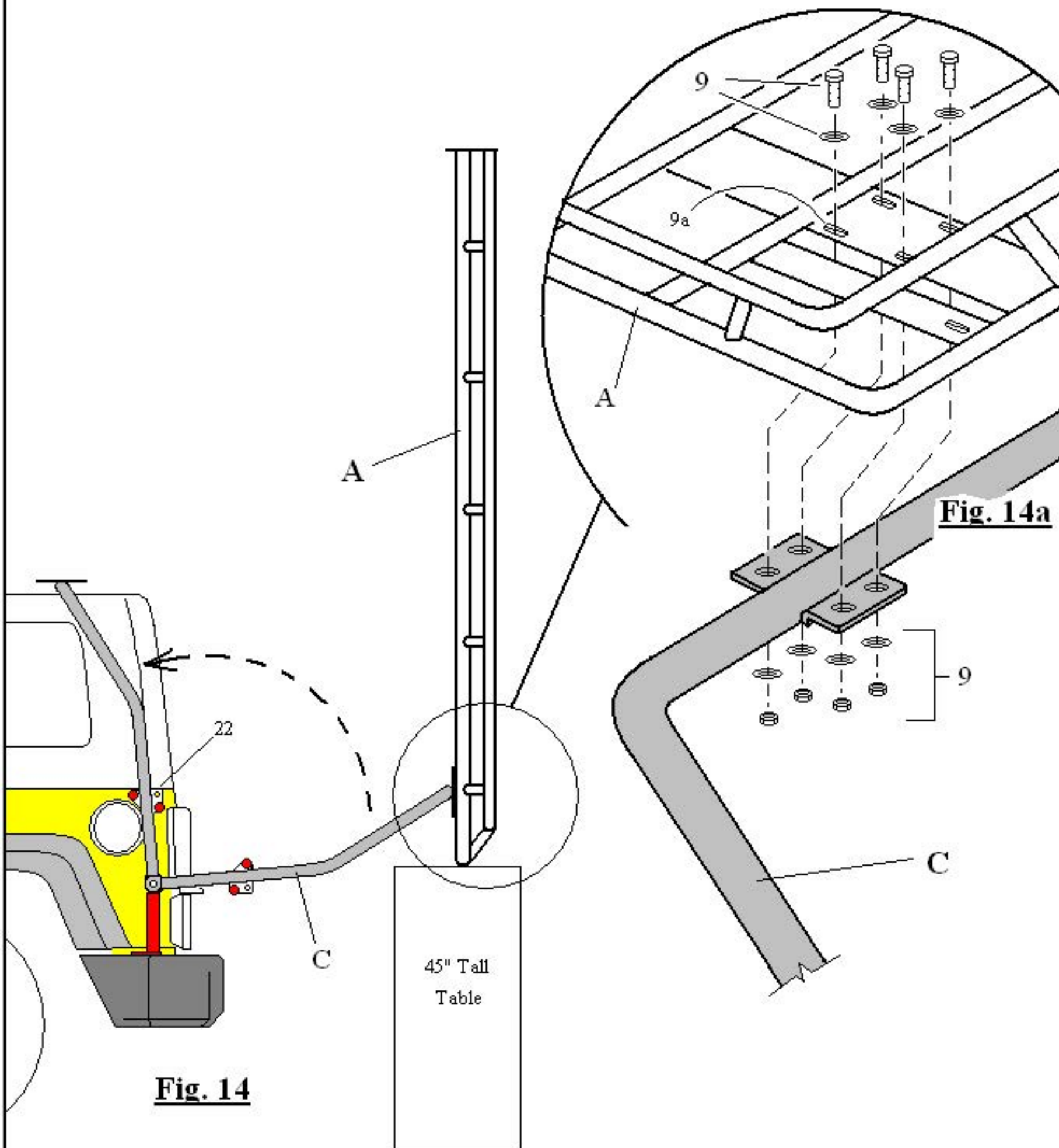


Fig. 13

GOBI JEEP JK WRANGLER RECON ROOF RACK INSTALLATION INSTRUCTIONS



GOBI JEEP JK WRANGLER RECON ROOF RACK INSTALLATION INSTRUCTIONS

Pivot Roof Rack Down and
Position Behind Front Light Bar

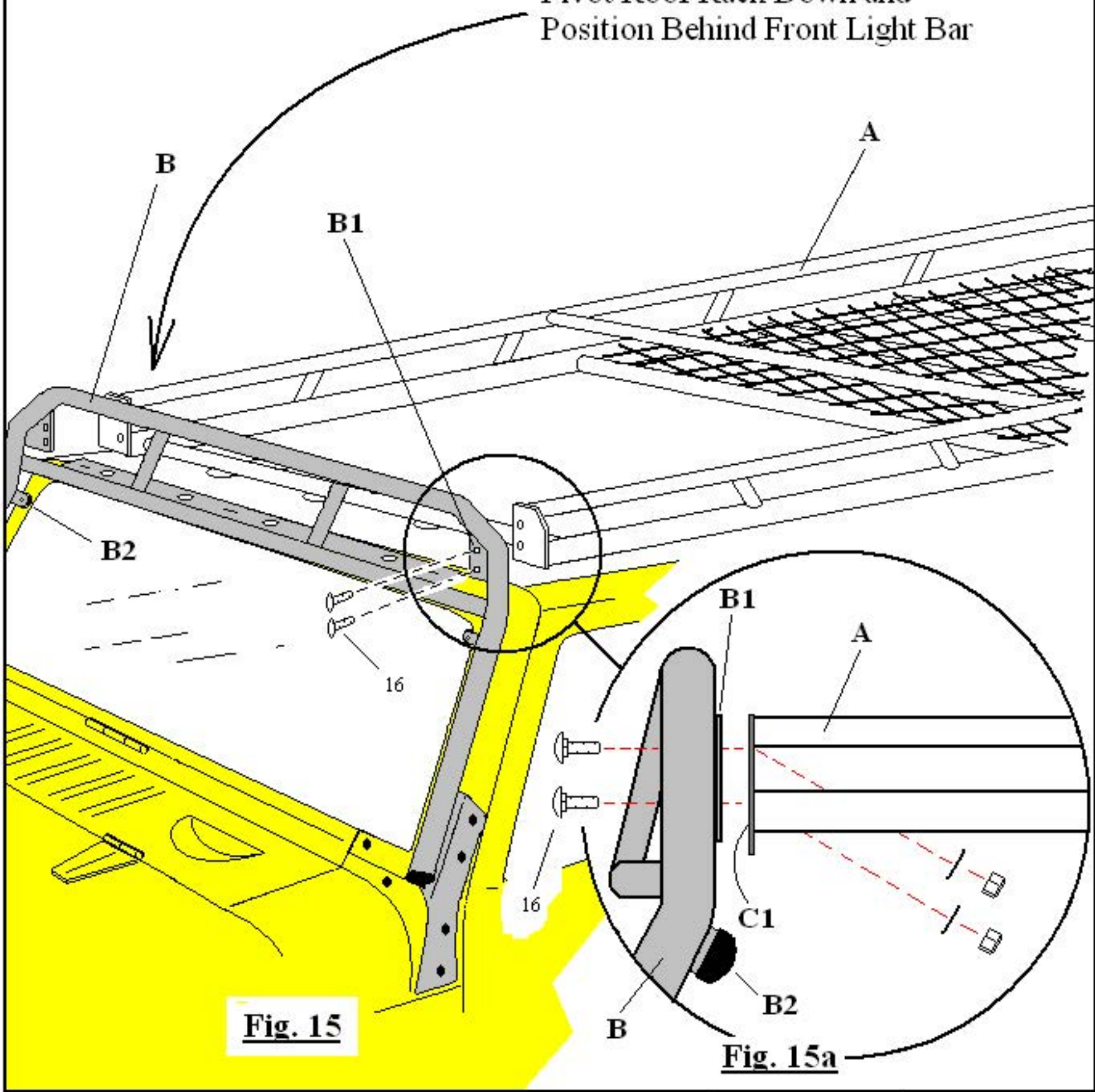


Fig. 15

Fig. 15a

GOBI JEEP JK WRANGLER RECON ROOF RACK INSTALLATION INSTRUCTIONS

INSTALLATION INSTRUCTIONS:

- 1- Refer to page 2 make sure all hardware listed is present prior to installation
- 2- Read all directions carefully prior to installation.
- 3- Refer to page 3 Fig. 1 and Fig. 2 use a 16mm socket and remove all 6 bolts (1) holding the rear bumper (2) to the jeep frame (3). Do not remove the bumper support brackets (4) from the vehicle frame (3) at this time. Note: *The rear door of your jeep may need to be opened during the removal and re-attachment of your bumper depending on the rear tire cover or size of tire.*
- 4- Refer again to page 3 Fig. 3 use a 16mm socket and remove the 4 bolts (1) holding the passenger and drivers side bumper support "L" brackets (4) to the vehicle frame (3). Place the "L" brackets (4) and all bolts (1) below the vehicle to each side they were removed from.
- 5- Supplied with your kit is a small packet of "Anti-Seize lubricant" apply a small amount of lubricant to all stainless steel bolts prior to installation.
- 6- Refer to page 5 Fig. 6 clean body seam (12) with denatured alcohol prior to install both rear side panels of the vehicle top to bottom.
- 7- Refer to page 4 Fig. 4 and remove the Rear Passenger and Driver side Support Towers (D) from the hardware box supplied with your kit. As indicated on page 4 Fig. 4a (exploded cut away view) remove any debris such as mud or the like from the underside of the vehicle which may inhibit the installation procedure. Use Rear Support Tower (D) marked "PASSENGER SIDE" as shown on page 4 Fig. 4 and Fig. 4a and install clamp portion (5) of the Support Tower (D) over the Rear Passenger side sheet metal base lip (6) with pinch plate (7) on the inner side between the vehicle body and the clamps 3/8" hex head screws, lock washers and flat washers (8). While holding Support Tower (D) in place use Flange (10) and collar (11) as shown on Fig. 4a and on page 5 Fig. 6 to align the Support Tower (D) to the Rear vehicle body seam (12). Once alignment is completed and clamp is fully pushed up against the lower body lip (6) as shown on page 4 Fig. 4a snug down the two clamp 3/8" hex head screws, lock washers and flat washers (8) using a 9/16" socket or box end wrench. Do not fully tighten at this time.
- 8- Refer to page 2 Sections "G" of your hardware kit and remove one round Black Nylon adhesive backed wear plate located in Bag #3. Refer to page 4 Fig. 4a and page 5 Fig. 6 then peel off the self adhesive protective film and place the 1" round wear plate on seam (12) of the vehicle body directly behind black nylon stand offs (13) of support Tower "D". You will have to tilt Tower "D" slightly away from the vehicle body at the same time you apply the black nylon wear plate. Be sure not to move Tower "D" out of previously aligned position during this procedure. After the black nylon wear plate has been installed check that Tower "D" alignment has not been moved as outlined on page 11 step 7 of the install instructions.
- 9- Refer to page 5 Fig. 7 and select the passenger side support plate (E) indicated by either a stamp or sticker placed on the Support Plate located in your hardware kit. Without using any hardware place support bracket (E) as shown in Fig. 7 and Fig. 7a under Tower (D) over screws (9) and flat onto the rear body frame (3). Check that the screw holes in vehicle frame (3) are in alignment with the mounting holes of support plate (E) at the same time that support plate (E) is flat under Tower (D). If you have to tilt support bracket (E) in order to line up mounting holes to the vehicle frame screw holes (3) you will have to re-adjust Tower (D) so that support bracket (E) lays flat along the bottom of Tower (D) and all holes line up. If Tower (D) should need to be moved swing either towards the front of the vehicle or the rear to correct the alignment but always keep the top of the Tower in alignment with vehicle body seam (12). After you have confirmed alignment completely tighten the two clamp 3/8 hex head screws, lock washers and flat washers (8) of Tower "D" using a 9/16" Socket or Box end wrench. Attach Support plate (E) to the underside of passenger side Support Tower (D) as shown in Fig. 7a using two 3/8 flat washers and Nylock nuts supplied in Bag #2 of your hardware kit referred to as (9) on Fig. 7a, finger tighten only at this time. Continue by installing "L" bracket (4) over support bracket (E) using bolts (1) as shown in Fig. 7a, finger tighten only at this time.

GOBI JEEP JK WRANGLER RECON ROOF RACK INSTALLATION INSTRUCTIONS

INSTALLATION INSTRUCTIONS CONTINUED:

- 10- Refer to page 5 Fig. 7 a and make certain that no gaps are present between "L" bracket (4), support bracket (E) and frame (3) at the same time support bracket "E" is in full contact with the underside of Support Tower "D" as shown in Fig 7 a. While all parts are in full contact snug down support bracket (E) to the underside of Support Tower (D) using nuts and washers (9) and a 9/16" socket or box wrench. Check and make certain that "L" bracket (4) is vertically oriented for bumper re-alignment then fully tightening support bracket (E) to vehicle frame (3) using bolts (1) and a 16mm socket wrench. Go back to screws (9) and fully tighten support bracket (E) to underside of Tower (D). Apply the entire procedure to the Driver side.
- 11- Refer to page 6 Fig. 9 attach the rear bumper (2) over the rear vehicle frame (3) indicated by dotted lines. Install the two center bolts (1) first as shown in Fig 9, finger tighten only at this time. Continue by installing either the driver's or passenger side bumper to "L" brackets (4) you may need to pull the bumper slightly outward towards the passenger or drivers sides in order to compensate for the addition of support plate (E) previously installed. Provide approximately a 1/4" gap between the underside of each Support Tower to the top of each side of the rear bumper then fully tighten all bolts (1) attaching the rear bumper to frame (3) as shown on page 6 Fig. 9 use a 16mm socket.
- 12- If you are installing a set of Gobi extreme off road upper windshield body protection part #GJJKWBP install now otherwise continue on to step 13.
- 13- Refer to page 6 Fig. 10 and remove 4 Torx head screws (14) as shown from the front windshield both Driver's and Passenger side using a #T-40 Torx bit. Refer to page 7 Fig. 11 using two persons first install the Passenger side of the Gobi light bar (B) to the windshield. Use the same original Torx head screws and place through the Gobi Light Bar and thread into the windshield mounting screw holes, finger tighten screws only at this time. Continue to the Driver's side and pull the Gobi Light Bar (B) over the windshield until the support bracket screw holes (14a) line up with the windshield screws holes. Thread all 4 remaining Torx head screws in place and finger tighten only at this time. Clean the surface area of the vehicle under each rubber bumper (B2) as shown on page 7 Fig. 11 with denatured alcohol then remove from Bag #3 of your hardware kit two 1" round brown adhesive backed wear pads. Peel off the protective cover and stick them directly onto the vehicle behind each rubber bumper (B2). Once the pads are in place pull back onto the windshield each side of the Gobi light bar then fully tighten both the passenger and driver side screws securely using a #40 Torx bit socket wrench.
- 14- Refer to page 8 Fig. 12a if available apply a small amount of grease over the inside flange of the plastic shoulder washers (15) to hold in place then place one shoulder washer (15) to each side of collar (11) of Support Tower (D) as shown in Fig. 12a. Apply the same procedure to both support towers (D) at this time. Using two persons attach the Rear Roof Rack Support Bar (C) in the direction as shown in Fig. 13 page 8 to the support towers (D). While the rear roof rack support bar is horizontal as shown in Fig. 13 thread in place one side at a time 1/2" bolt (19) through 1/2" grade 8 hard washer (16) and finally thread into Nylock nut (18) finger tighten only at this time. Apply the same procedure to the opposite side of support bar (C) and snug down both bolts (19) at this time. Pivot the roof rack support bar (C) up and lay over the vehicle roof top. If a hard top is present place a rag or towel between the support bar (C) and roof top to prevent marring of the paint.
- 15- Refer to page 9 Fig. 14 and locate a 45" tall table or the like, use this support platform to rest the Gobi roof rack (A) onto. Gather all hardware Fig. 14a (9) eight 3/8 x 1" Hex cap screws, sixteen 3/8 grade 8 flat washers and eight 3/8 grade 8 Nylock nuts located in Bag #2 supplied with your hardware kit. Using two persons rest the rear of the Gobi roof rack standing upright on the 45" tall table as shown in Fig. 14. While the Gobi roof rack is positioned upright lower support bar (C) next to the underside of Gobi roof rack (A). Place bolts and washers (9) through Gobi roof rack (A) then through support bar (C) and attach remaining washer and nuts as shown in Fig. 14a page 9, finger tighten only at this time. After all hardware is in place lift the Gobi roof rack support bar (C) up to the top of the roof rack bolts slots (9a) both sides as shown in Fig. 14a then fully tighten all screws and nuts securely.

GOBI JEEP JK WRANGLER RECON ROOF RACK INSTALLATION INSTRUCTIONS

INSTALLATION INSTRUCTIONS CONTINUED:

- 16- Refer to page 10 Fig. 15 and Fig. 15a using two persons pivot the Gobi roof rack (A) up over the vehicle roof top and butt against the rear side of the Gobi Recon light bar mounting plate (B1). Use four 3/8-16 SS carriage bolts, Grade 8 flat washers and Nylock nuts (16) located in Bag #2 of your hardware kit and place through mounting plate (B1) and roof rack mounting plate (C1), finger tighten only at this time. Continue to the opposite side and complete the same procedure. Once all bolts are in place fully tighten roof rack to light bar.
- 17- Refer to page 8 Fig. 12b loosen jam nut (9) and turn Anti-sway isolator knob (9a) counter clockwise to pull the isolator (21) away from vehicle body. Remove from Bag #3 two black adhesive backed triangular wear plates. As shown on page 8 Fig. 12b and 12c without removing the adhesive protective film from the wear plates position the plates over the rear upper corners of the vehicle body just behind each Anti-sway isolator as shown in Fig. 12c. Match the bends of the wear plate tightly to the angles of the vehicle body. Once you have a good idea of the wear plate's final position clean the area thoroughly with denatured alcohol remove the adhesive protective film and press in place. Apply the same procedure to the opposite side.
- 18- Tighten both Anti-sway isolators (21) in place by turning knob (9a) clockwise. As you tighten each isolator pull out on the support bar "C" so that a fair amount of tension is exerted against the wear plate. Apply the same procedure to the opposite side. This will prevent excessive movement or sway of the roof rack's rear section during use. Once both isolators have been adjusted tighten jam nut (9) clockwise to prevent loosening of the Anti-sway isolators. Installation is now completed.
- 19- Should the Gobi roof rack need to be tilted back for soft top retraction or removal be sure to first loosen both jam nuts (9) on the rear Anti-sway isolators (21) as shown on page 8 Fig. 12b both passenger and driver sides then fully unscrew the two Anti-sway isolators (21) to clear the vehicle body and tail light guards if present.

Should the Gobi roof rack need to be tilted back for soft top retraction or removal be sure to first loosen both jam nuts (9) on the rear Anti-sway isolators (21) as shown on page 8 Fig. 12b both passenger and driver sides then fully unscrew the two Anti-sway isolators (21) to clear the vehicle body and tail light guards if present.

- CAUTION:** * DO NOT REST THE GOBI ROOF RACK ON THE REAR BUMPER AS DAMAGE CAN RESULT FROM THE WEIGHT OF THE ROOF RACK ON THE REAR LICENSE PLATE FRAME OR PLASTIC BUMPER.
* EXCESSIVE SPEEDS OVER ROUGH TERRAIN WITH OR WITHOUT A FULLY LOADED ROOF RACK ARE NOT RECOMMENDED.

Recommended Attachments:

- A) "QUICK RELEASE" part #GJJKQR for easy and quick release of the roof rack for soft top retraction.
- B) "GOBI JK TEATHER STRAP" part #GJJKT teather strap only for tilting back roof rack (Quick Release comes supplied with a teather strap)
- C) "Extreme Off road windshield body protection" part # GJJKWBP prevents potential damage to windshield from high speed off road driving.
- D) "Upper rear Isolators" part #GJJKRUI prevents rear upper roof rack movment during high speed off road driving or extreme heavy loads.

To purchase these or other Gobi attachments please contact a Gobi online dealer or Gobi Racks direct at 1-720-479-9372 or e-mail to sales@gobiracks.com Thank you for your purchase