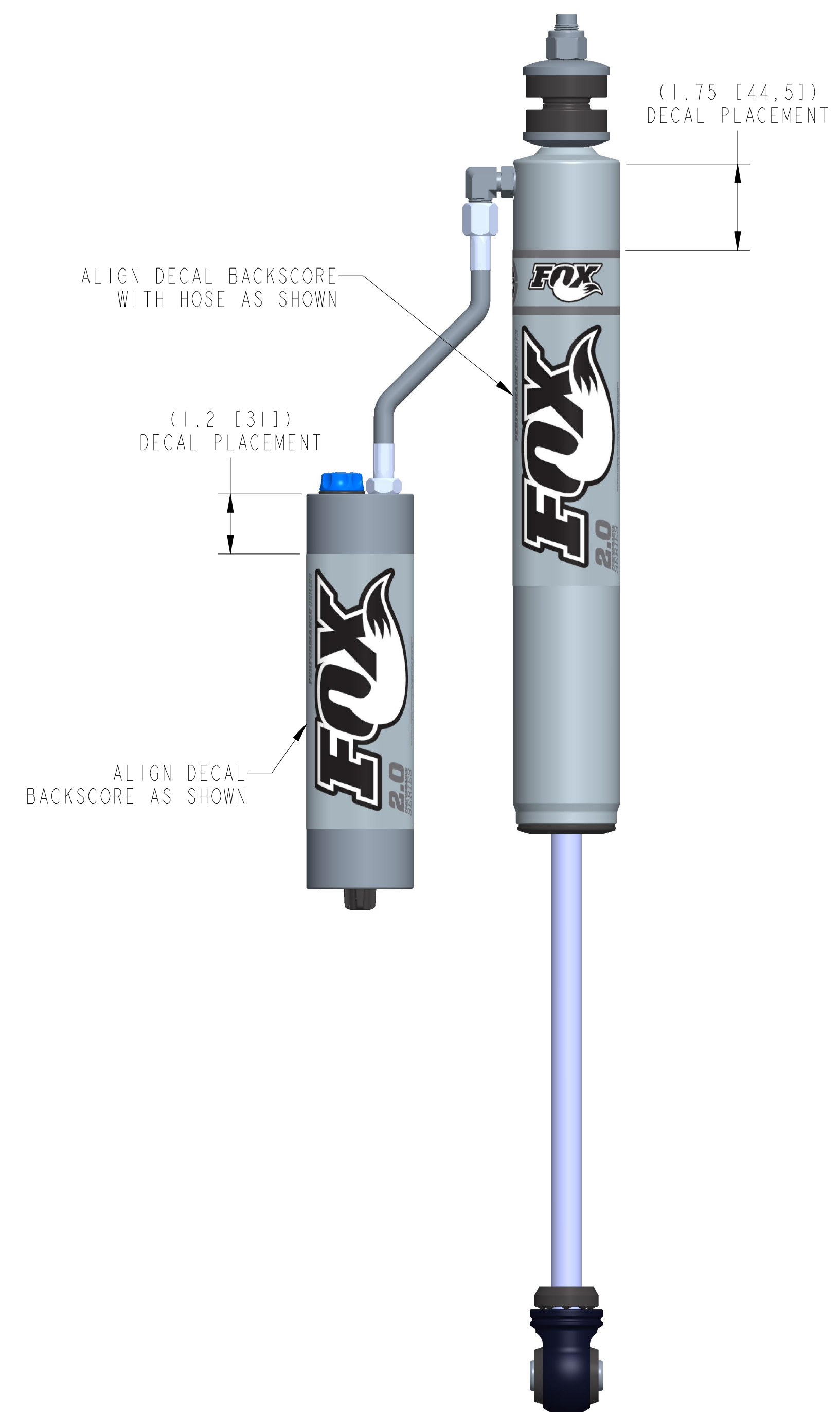
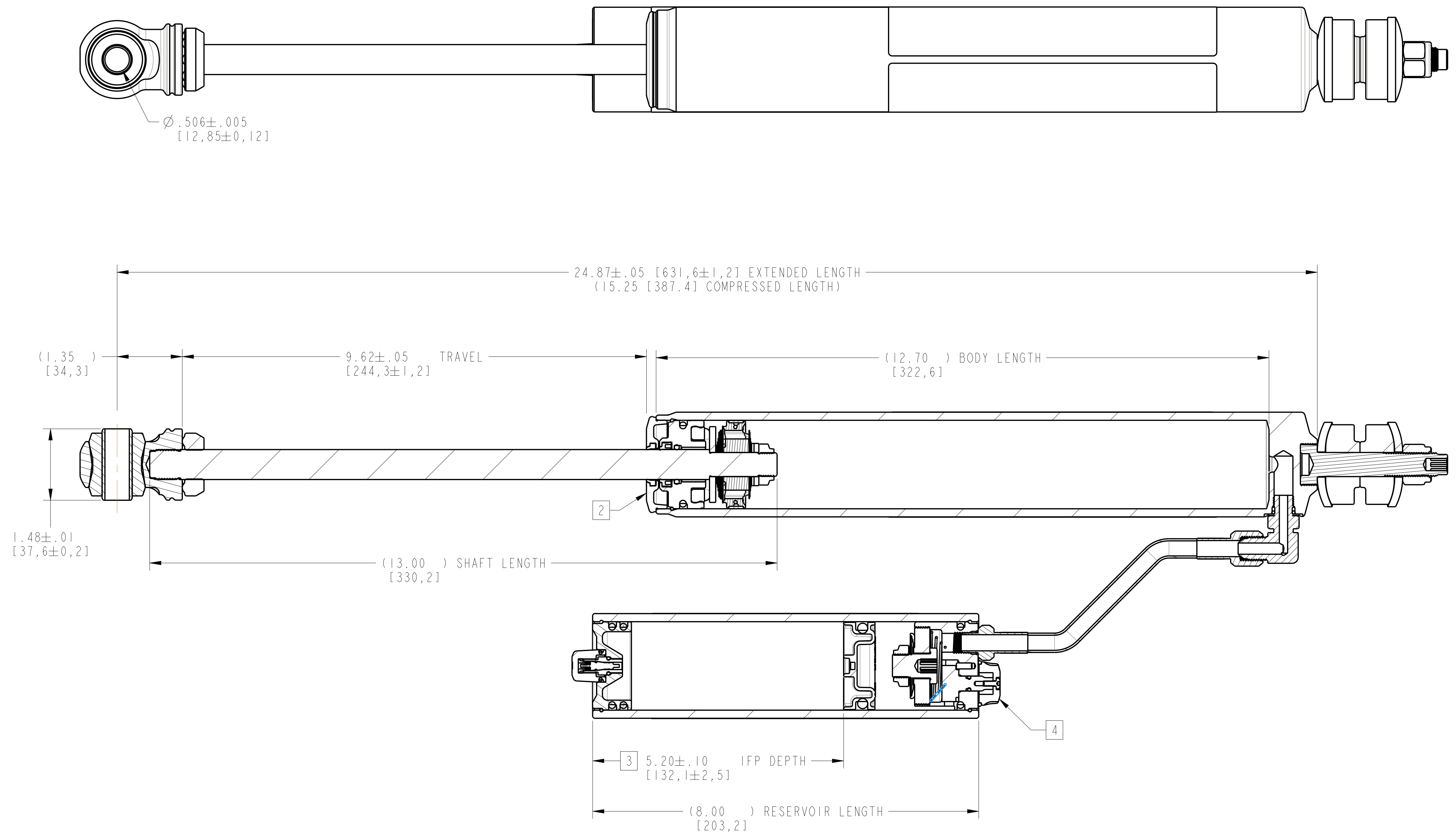


PROPRIETARY
 THIS DOCUMENT CONTAINS CONFIDENTIAL, PROPRIETARY INFORMATION THAT IS FOX PROPERTY. DO NOT DISCLOSE TO OR DUPLICATE FOR OTHERS EXCEPT AS AUTHORIZED BY FOX.

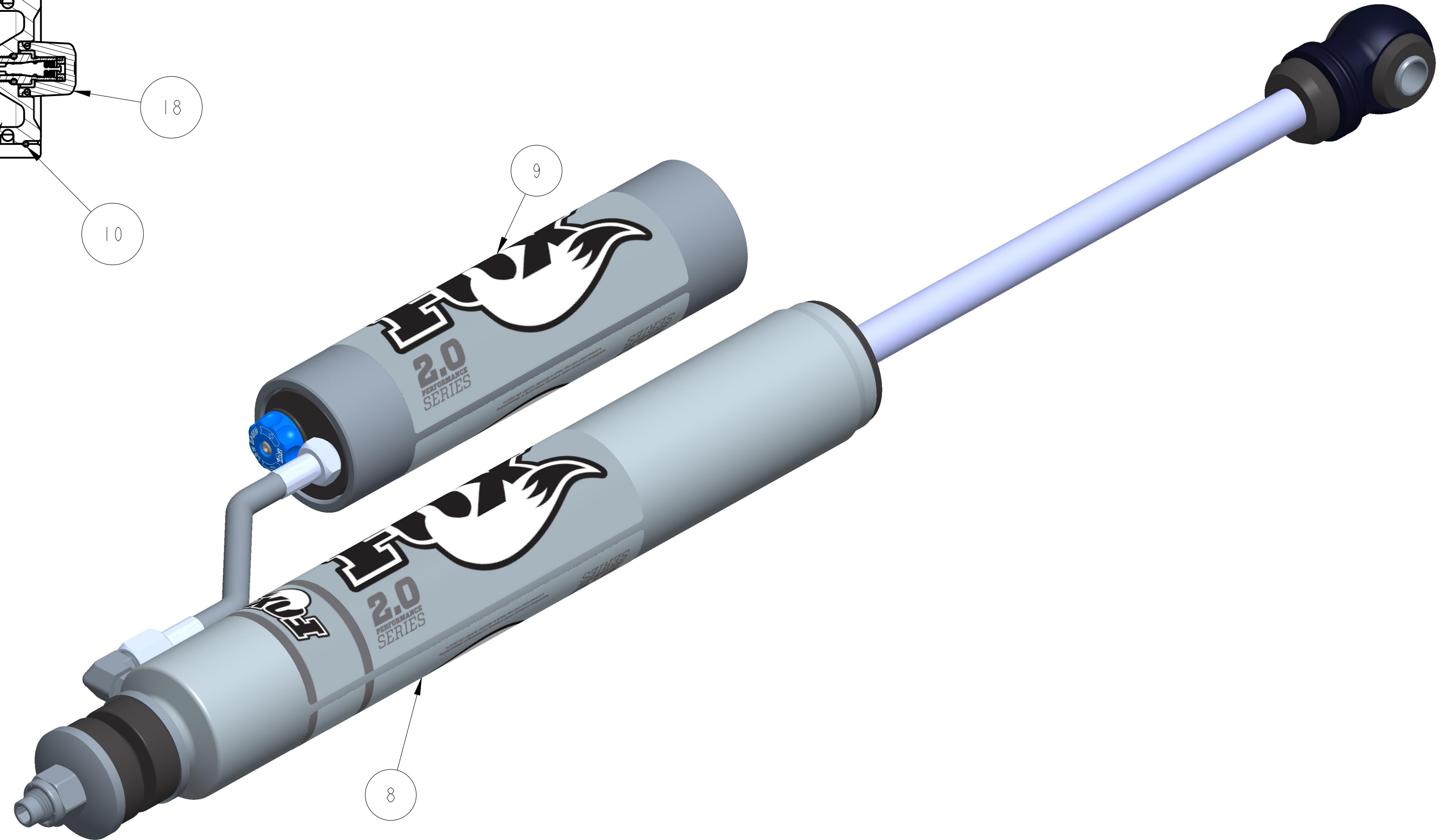
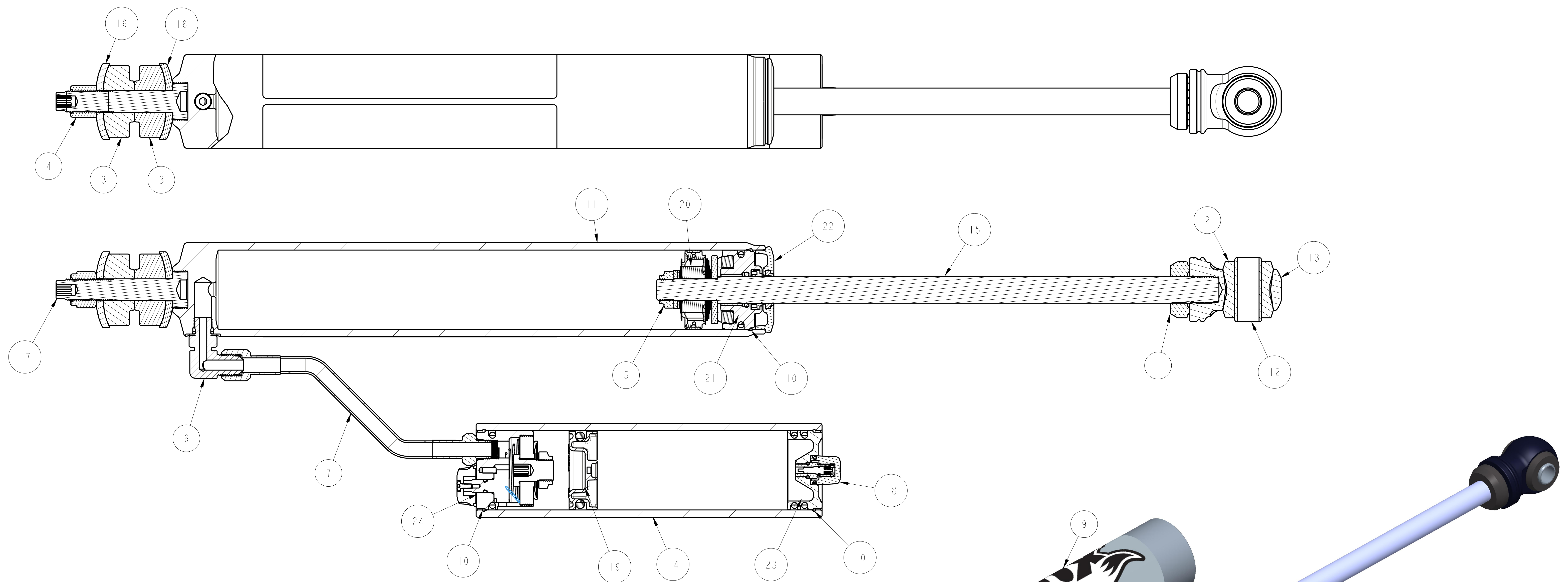
REVISIONS				
ZONE	REV	DESCRIPTION	DATE	APPROVED
	A	PRODUCTION RELEASE	10/7/11	JC / CG
	B	CHANGED HOSE & RESI MOUNT HARDWARE ADDED FITTING	12/08/11	BS
	C	R/R END CAP ASSY WAS 813-00-055 NOW DBL ORING	5/17/12	MW
	D	CHANGED VALVING & UPDATED TITLE	4/5/13	BS
	E	CHANGED RESI. ADD CD PART NO.	1/22/14	BS
	F	CHANGED LSC & MOVED SHAFT NUT TO VALVING ASSEMBLY	3/16/15	MD
	G	REPLACED ITEM 20 WAS 813-00-079	2/5/18	BS
	H	DRAWING REFORMATED 018-00-075 ADDED 803-00-101 REMOVED 014-16-002 ADDED 018-00-026-A ADDED 241-01-036 ADDED IFP DEPTH UPDATED	04/08/20	VT



- NOTES:
1. APPLICATION REFERENCE: JEEP JK FRONT [07-ON] - 1.5-3.5" LIFT.
 2. BEARING MARKED WITH FOX PART NUMBER AND WORK ORDER NUMBER.
 3. IFP DEPTH DIMENSION IS AFTER FINAL ASSEMBLY.
 4. LOW SPEED COMPRESSION: 4 POSITIONS COUNTERCLOCKWISE FROM FULL STOP.
 5. NITROGEN CHARGE PRESSURE 195 - 205 PSI.
 6. FOR VERSION WITHOUT ADJUSTER SEE 985-24-015

UNLESS OTHERWISE SPECIFIED DIMENSIONS ARE IN: INCHES [MM]		PER ASME Y14.5-2009		FOX FACTORY, INC. <small>915 DISC DRIVE, SCOTTS VALLEY, CA 95066 USA, PH 831-274-6500</small>	
DEV PROJECT #:		APPROVALS	DATE	TITLE	
TOLERANCES ARE:		DOWN BY	J.CLAUS	6/21/11	07-ON Jeep JK Front, PS, 2.0, R/R, 9.6", 1.5-3.5" Lift CD Adjuster
DECIMALS	.XX [X] ± .01 [0,25]	CHK. BY	P.COX	6/21/11	
ANGLES	.XXX [XX] ± .005 [0,13]	ENG.	C.GAGE	6/21/11	SIZE DWG. NO.
THIRD ANGLE PROJECTION		MFG.	J.BULLOCK	6/21/11	985-26-015
		DC.			PLOT SCALE: DO NOT SCALE
					SHEET: 1 OF 2

PROPRIETARY
 THIS DOCUMENT CONTAINS CONFIDENTIAL, PROPRIETARY INFORMATION THAT IS FOX PROPERTY. DO NOT DISCLOSE TO OR DUPLICATE FOR OTHERS EXCEPT AS AUTHORIZED BY FOX.



ITEM	QTY	PART NUMBER	DESCRIPTION
1	1	008-01-000-A	Bumper: B/O [Ø 0.620 Shaft, 0.453 TLG] nitrile
2	1	014-11-003-A	Bushing: Eyelet, Hourglass [Ø 0.625 ID X 1.300 TLG] Polyurethane, 85A
3	2	014-16-002	Bushing: Stem [Ø 1.650 OD X Ø 0.500 ID, 0.710 TLG] Black Polyurethane
4	1	018-00-026-A	Fastener, Standard: Nut, Lock [1/2-20 X 0.597 TLG] Zinc Plated, Nylok
5	1	018-00-075	Fastener, Standard: Nut, Lock [1/2-20 X 0.313 TLG] Zinc Plate
6	1	020-50-041	Fittings, Pipe and Hose: Adapter [7/16-20 O-Ring Boss X -5 Male AN 90°]
7	1	023-05-054-A	Hose: [-5, 7/16-20 O-Ring Boss X St Female -5 JIC, 5.625 TLG]
8	1	024-04-031	Decal: O/R, [6.8" X 6.8"] Fox 2.0 Performance Series Body Decal
9	1	024-04-039	Decal: O/R, [6.8" X 5.57"] Fox 2.0 Performance Series Body Decal, Remote Res
10	3	038-01-005-A	Retaining Ring: Wire [0.062 CS X 1.850 ID] 17-7 SS
11	1	207-45-127-1	Body: (T) [Ø 1.834 Bore, Ø 12.700 Bore Depth, 13.700 TLG] Post Mount, R/R
12	1	213-27-002-B	Eyelet Parts: (T) Sleeve [Ø .506 ID X Ø .625 OD X 1.480 TLG] Steel, Clear Zinc
13	1	213-78-200	Eyelet Parts: (T) Eyelet [Ø 1.010 Bore X .950 W, 5/8-18 UNF, 1.350] Black Ano
14	1	227-44-080-1	Reservoir: (T) [Ø 1.834 Bore, Ø 2.170 OD, 8.000 TLG] Al 6061, Clear Ano II, Wir
15	1	229-60-130	Shaft: (T) [Ø 0.620 OD X 13.000 TLG] Steel, Chrome, Solid, 1.400 Post Length
16	2	241-01-036	Fastener, Custom: Washer, Stem [Ø 1.75 OD X Ø 0.520 ID X .165 TH] Cupped
17	1	241-02-072	Fastener, Custom: Stud [1/2-20 Thread, 3.050 TLG]
18	1	802-00-027	Air Valve Assembly: Air Valve Cap, Float Gen II, Plastic, Black
19	1	805-00-049	Piston Assembly: Floating [Ø 1.834 Bore, 0.650 TLG] w/ Standard O-ring
20	1	807-20-002	Valving Assembly: 2.0 Performance Series, Tuned Combination 002
21	1	812-07-027	Bearing Assembly: [Ø 1.834 Bore, Ø 0.620 Shaft, 0.995 TLG]
22	1	812-11-019	Bearing Assembly: Bearing Cap Assembly [Ø 1.834 Bore, Ø 0.620 Shaft] Black Ano,
23	1	813-00-281	Reservoir End Cap Assembly: [Ø 1.834 Bore, 5/16-32] With Schrader Only
24	1	815-00-074	Damping Assembly: Compression [Ø 1.834 Bore, 7/16-20, 9 Slot Drum] Blue Knob